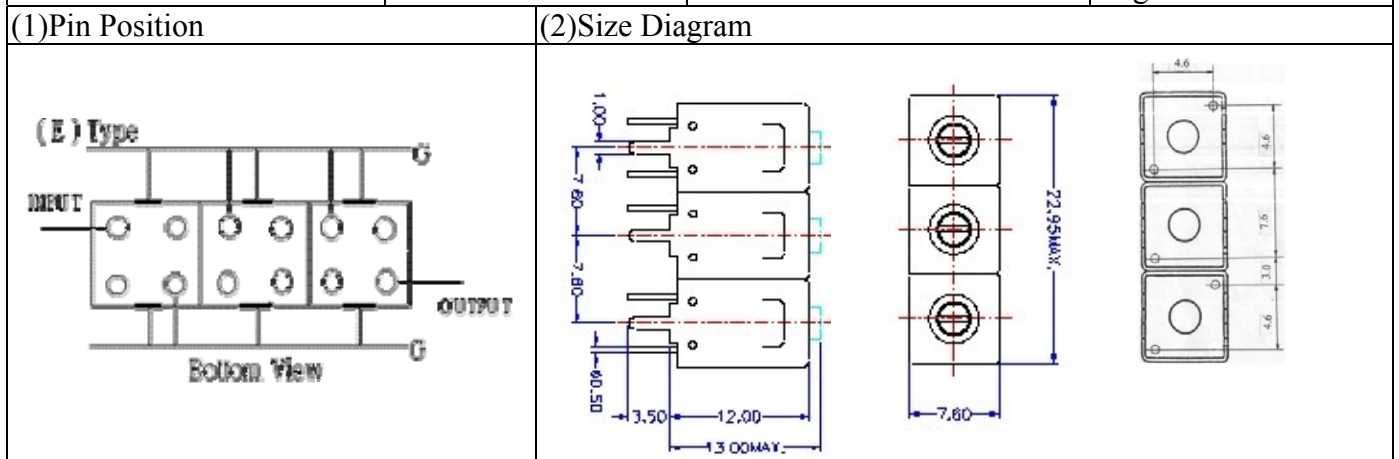


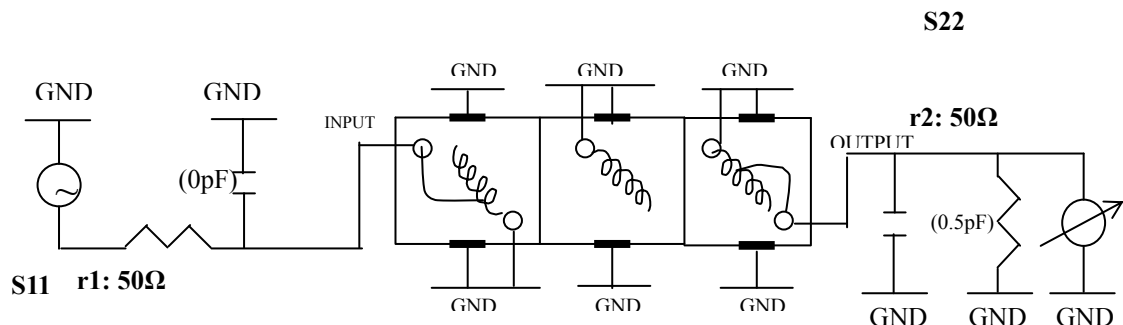
# VHF UHF Helical Filter Specification Sheet

|                      |            |                             |               |
|----------------------|------------|-----------------------------|---------------|
| Customer Name        |            | Temwell's Part No.          | TT67437E-350M |
| Approval No. /dated  | 0607072APR | Acceptable Specify Fo Range | 311~355M      |
| Work Instruction No. | 0607072DC  | Date                        | Aug.09.2006   |



| (3) Electric Character       |             | Item | Specify         | Performance     |
|------------------------------|-------------|------|-----------------|-----------------|
| Center Freq.(Fo) +/- 0.75 %  |             |      | 350 MHz         | 350 MHz         |
| Tunable Range                |             |      | 350±4 MHz       | 385±4 MHz       |
| Insertion Loss               |             | Typ. | 2.5 dB          | 1.85 dB         |
| -3 dB Bandwidth              |             | Typ. | 15 MHz          | 18.7 MHz        |
| Sensitivity<br>(Attenuation) | Fo - 50 MHz | Typ. | 60 dBc          | 63 dBc          |
|                              | Fo + 50 MHz | Typ. | 29 dBc          | 32 dBc          |
|                              | Fo - ( )MHz | Typ. | dBc             | dBc             |
|                              | Fo +( )MHz  | Typ. | dBc             | dBc             |
| Return Loss                  |             | Min. | 12 dB           | 23.7 dB         |
| Ripple                       |             |      | < 1 dB          | dB              |
| Impedance                    |             |      | In / Out : 50 Ω | In / Out : 50 Ω |
| (4) Torque for Tuning Screw  |             |      | > 100gf • cm    |                 |
| (5) Temperature Condition:   |             |      |                 |                 |
| Operating Temperature        |             |      | -30°C ~ +70°C   |                 |
| Storage Temperature          |             |      | -30°C ~ +80°C   |                 |
| (6) Input Power              |             |      | > 1Watt         |                 |

(7) Measuring Circuit: ※Easy to match Impedance S11/S22 50Ω/ by parallel with about( 0 pF) / ( 0.5 pF).



(Bottom View)

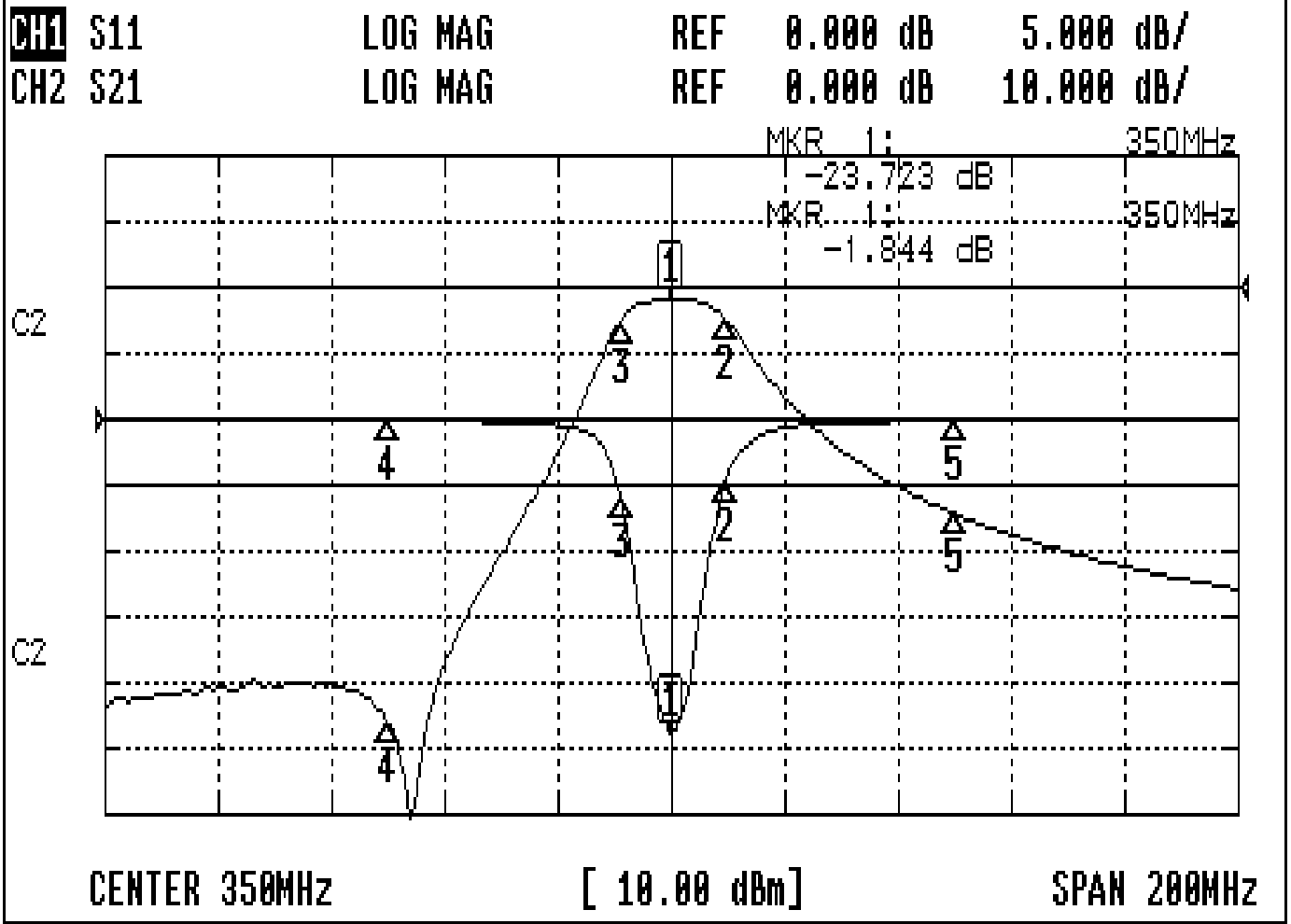
|           |            |             |                              |
|-----------|------------|-------------|------------------------------|
| Approval  | Supervisor | Designer    | Aperture size                |
| C.Y.Chang | C.S.Chang  | P.H.Chiang  | 7H3(4*6.5)(6.58)<br>7H046RB4 |
| TEMWELL   |            | CORPORATION |                              |

TEMWELL

RP(P.H)

# Performance-TT67437E-350M

0607072DC



### CH1 MARKER LIST

|    |            |         |    |
|----|------------|---------|----|
| 1: | 350.000MHz | -23.723 | dB |
| 2: | 359.833MHz | -4.608  | dB |
| 3: | 341.166MHz | -5.811  | dB |
| 4: | 300.000MHz | -0.089  | dB |
| 5: | 400.000MHz | -0.090  | dB |

### CH2 MARKER LIST

|    |            |         |    |
|----|------------|---------|----|
| 1: | 350.000MHz | -1.844  | dB |
| 2: | 359.833MHz | -4.880  | dB |
| 3: | 341.166MHz | -4.906  | dB |
| 4: | 300.000MHz | -5.179  | dB |
| 5: | 400.000MHz | -34.365 | dB |