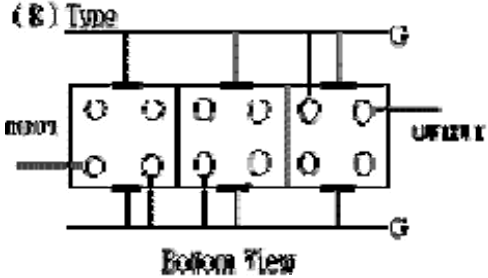
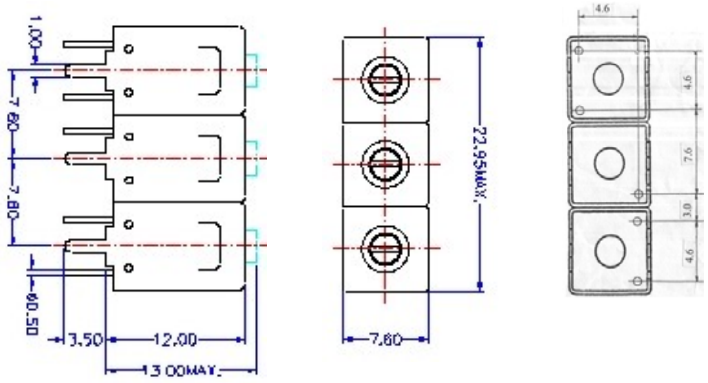


VHF UHF Helical Filter Specification Sheet

Customer Name		Temwell's Part No.	TT67431B-155M
Approval No. /dated	20010025DC	Acceptable Specify Fo. Range	146~165MHz
Work Instruction No.	20010025DC	Date	

(1)Pin Position	(2)Size Diagram
	

(3)Electric Character

Item	Specify	Performance	
Center Freq.(Fo) +/- 0.5 %	155 MHz	155 MHz	
Tunable Range	155±2 MHz	155±2 MHz	
Insertion Loss	Typ. 2.0 dB	1.0 dB	
-3 dB Bandwidth	Typ. 38 MHz	39 MHz	
Sensitivity (Attenuation)	Fo -100 MHz	Typ. 45 dBc	48 dBc
	Fo +100 MHz	Typ. 43 dBc	46 dBc
	Fo - ()MHz	Typ. dBc	dBc
	Fo +()MHz	Typ. dBc	dBc
Return Loss	Min. 12 dB	32 dB	
Ripple	< 1 dB	dB	
Impedance	In / Out : 50 Ω	In / Out : 50 Ω	

(4)Torque for Tuning Screw	> 100gf • cm
----------------------------	--------------

(5)Temperature Condition:

Operating Temperature	0°C ~ +60°C
Storage Temperature	-20°C ~ +70°C

(6)Input Power	> 1Watt
----------------	---------

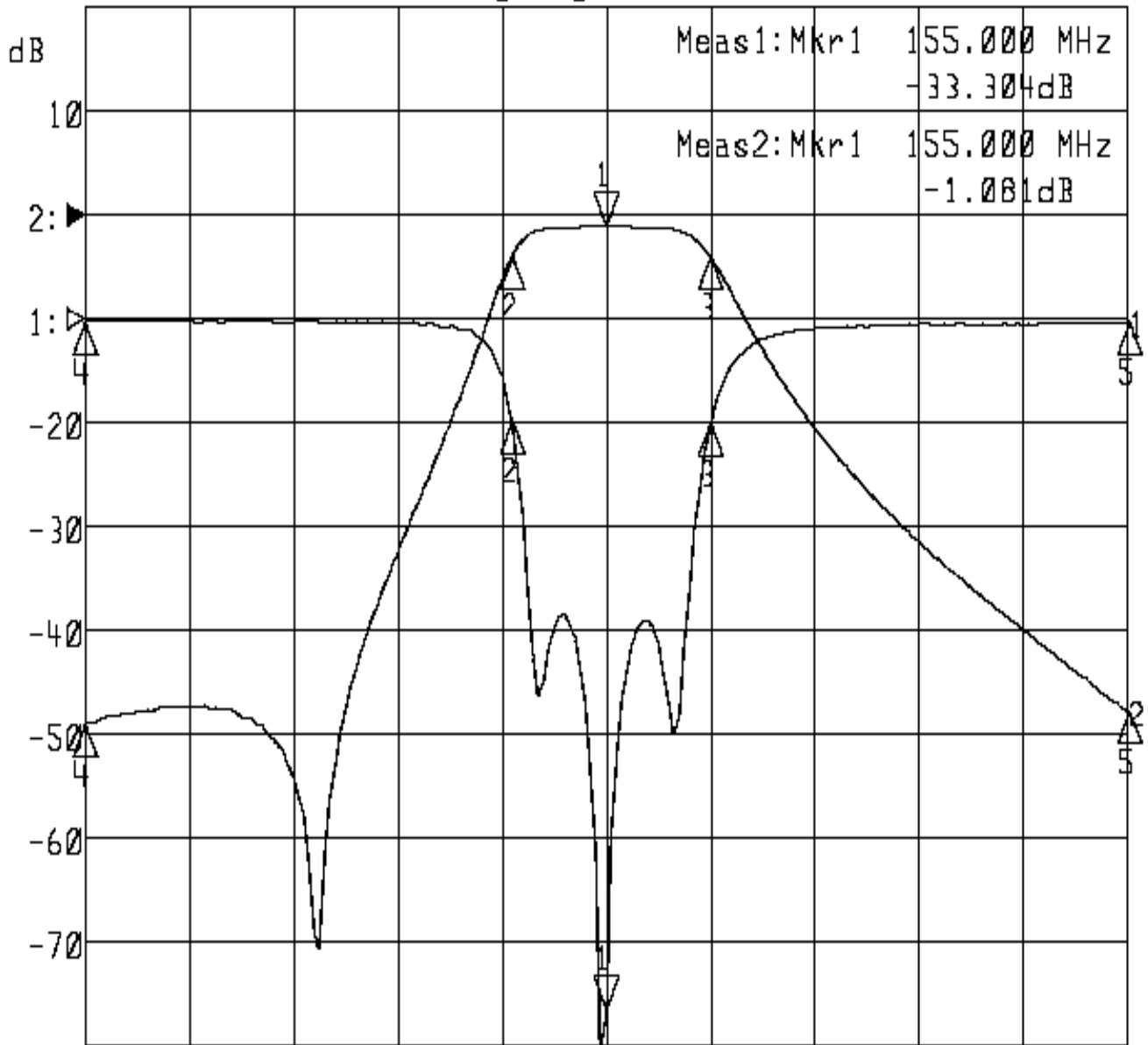
Approval	Supervisor	Designer	Aperture size
C.Y.Chang	C.S.Chang	C.S.Chang	7H3S(4*5.5)F 7H00LB6

TEMWELL CORPORATION

Performance-TT67431B-155M

20010025DC

►1:S11 Refl Port1 Log Mag 5.0 dB/ Ref 0.00 dB C
►2:S21 Fwd Trans Log Mag 10.0 dB/ Ref 0.00 dB C



Center 155.000 MHz

Span 200.000 MHz

1: Mkr (MHz)	dB	2: Mkr (MHz)	dB
1> 155.0000	-33.304	1> 155.0000	-1.081
2: 136.8667	-4.890	2: 136.8667	-4.059
3: 175.0667	-5.017	3: 175.0667	-4.031
4: 55.0000	-0.121	4: 55.0000	-48.976
5: 255.0000	-0.152	5: 255.0000	-47.850