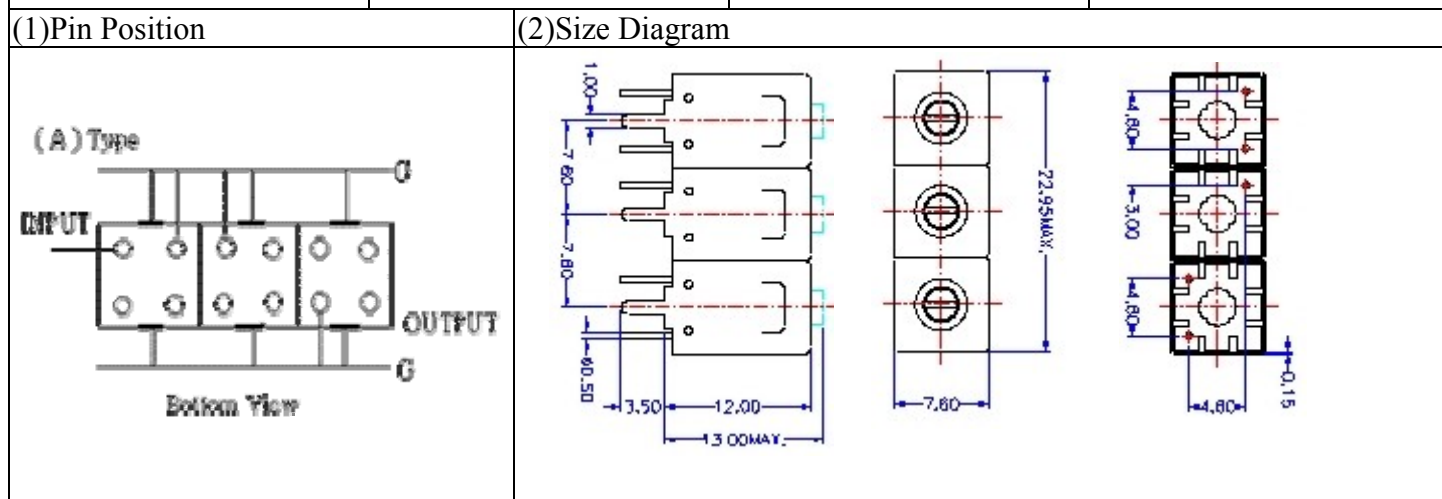


VHF UHF Helical Filter Specification Sheet

Customer Name		Temwell's Part No.	TT67425A-70M
Approval No. /dated		Temwell's print name	68~75MHz
Work Instruction No.	2009082DC	Date	



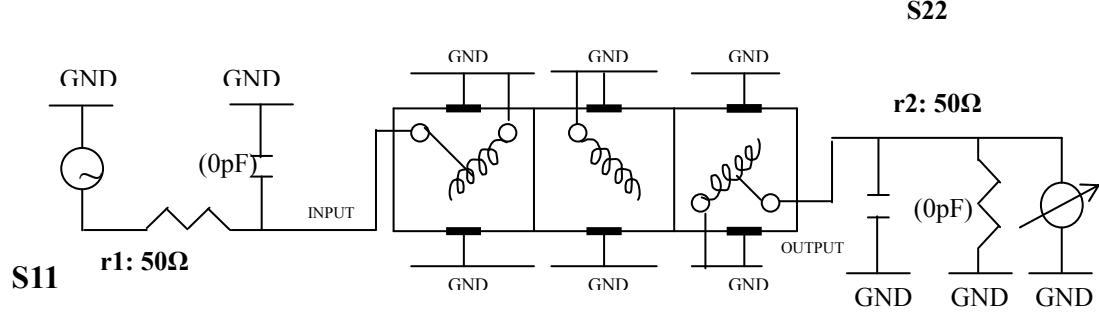
(3) Electric Character			
Item	Specify		Performance
Center Freq.(Fo) +/- 0.05 %	70	MHz	70 MHz
Insertion Loss	Typ.	2.0 dB	1.5 dB
-3 dB Bandwidth	Typ.	14 MHz	15 MHz
Sensitivity (Attenuation)	Fo - 50 MHz	Typ. 45 dBc	47 dBc
	Fo + 50 MHz	Typ. 60 dBc	79 dBc
	Fo - ()MHz	Typ. dBc	dBc
	Fo + ()MHz	Typ. dBc	dBc
Return Loss	Min	12 dB	21 dB
Ripple	< 1 dB		
Impedance	In / Out : 50 Ω		In / Out : 50 Ω
(4) Torque for Tuning Screw		>100gf • cm	

(5) Temperature Condition:

Operating Temperature	0°C ~ +60°C
Storage Temperature	-20°C ~ +70°C

(6) Input Power > 1Watt

(7) Measuring Circuit: ※Easy to match Impedance S11/S22 50Ω by parallel with about(0pF) / (0pF).



(Bottom View)

Approval	Supervisor	Designer	Aperture size
C.Y. Chang	C.S. Chang	P.H. Chiang	7H3 (4*8.0)(8.01) 7H00LB6

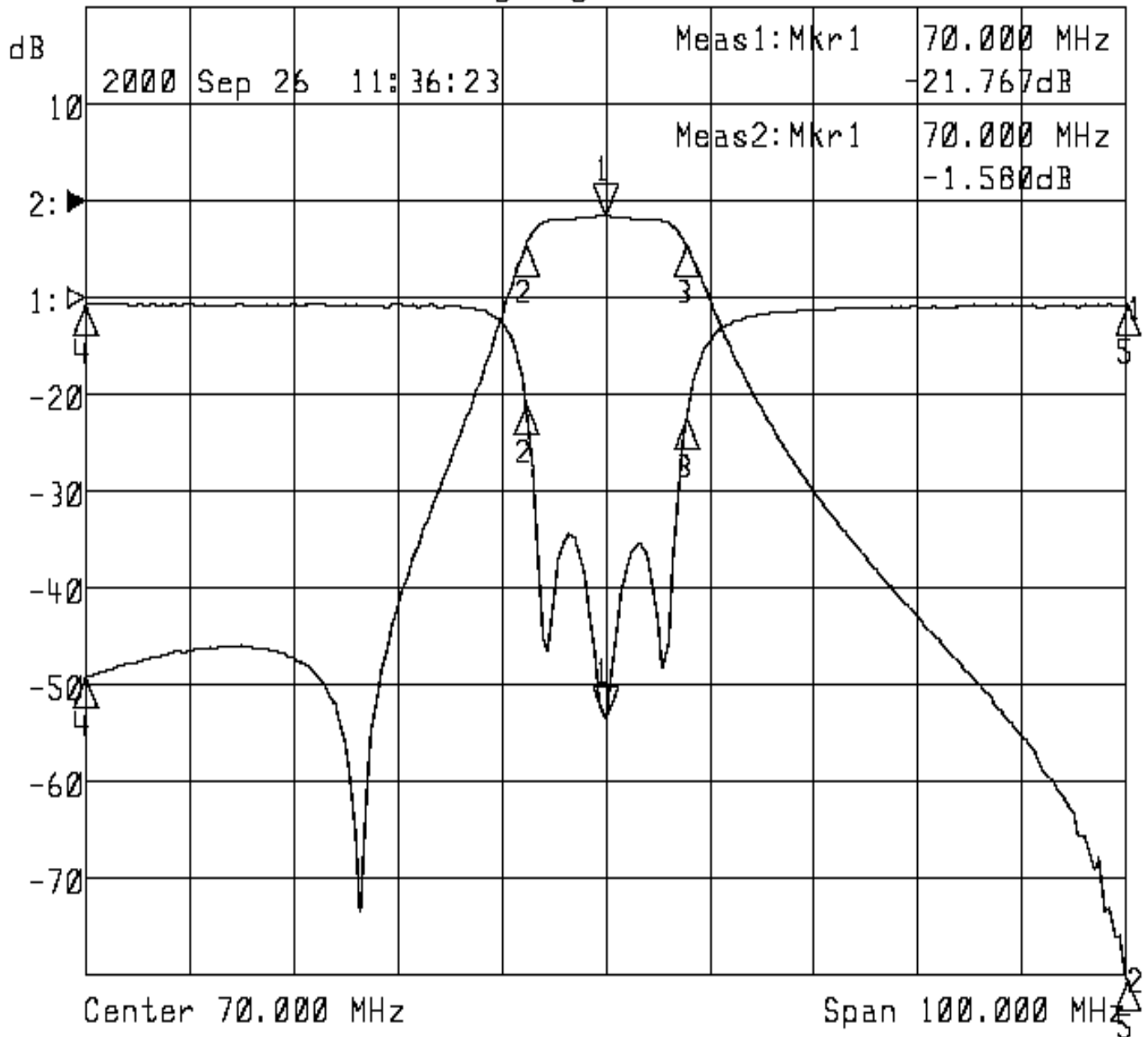
TEMWELL CORPORATION

Performance- TT67425A-70M

2009082DC

▶1:S11 Refl Port1 Log Mag 5.0 dB/ Ref 0.00 dB C

▶2:S21 Fwd Trans Log Mag 10.0 dB/ Ref 0.00 dB C



1:Mkr (MHz)	dB	2:Mkr (MHz)	dB
1> 70.0000	-21.767	1> 70.0000	-1.580
2: 62.3667	-5.453	2: 62.3667	-4.523
3: 77.8000	-6.217	3: 77.8000	-4.538
4: 20.0000	-0.357	4: 20.0000	-49.226
5: 120.0000	-0.394	5: 120.0000	-80.910