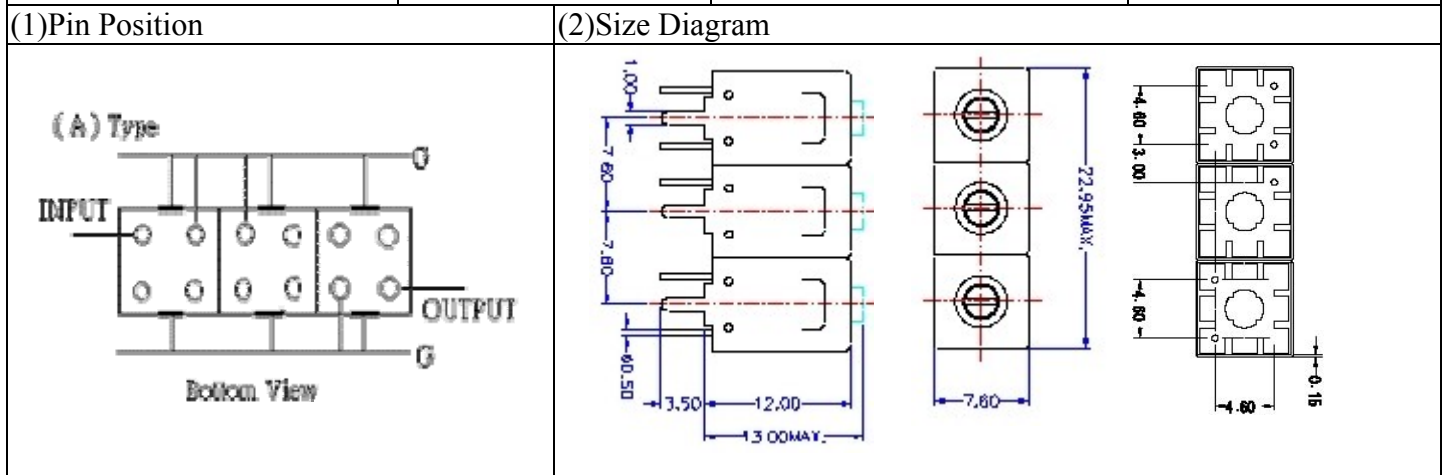


VHF UHF Helical Filter Specification Sheet

Customer Name		Temwell's Part No.	TT67424A-70M
Approval No. /dated	0901071CD	Customer's Print Name.	67424A 70M
Work Instruction No.	200901071CD	Date	Feb.28.2009



(3) Electric Characteristic

Item	Specify	Performance	
Center Freq.(Fo) +/- 0.5 %	70 MHz	70 MHz	
Insertion Loss	Typ. 2.5 dB	1.61 dB	
-3 dB Bandwidth	Typ. 12 MHz	14.3 MHz	
Sensitivity (Attenuation)	Fo - 20 MHz	Typ. 30 dBc	34 dBc
	Fo + 20 MHz	Typ. 29 dBc	32 dBc
	Fo - ()MHz	Typ. dBc	dBc
	Fo +()MHz	Typ. dBc	dBc
Return Loss	Min. 12 dB	33.1 dB	
Ripple	< 1 dB	dB	
Impedance	In / Out : 50 Ω	In / Out : 50 Ω	

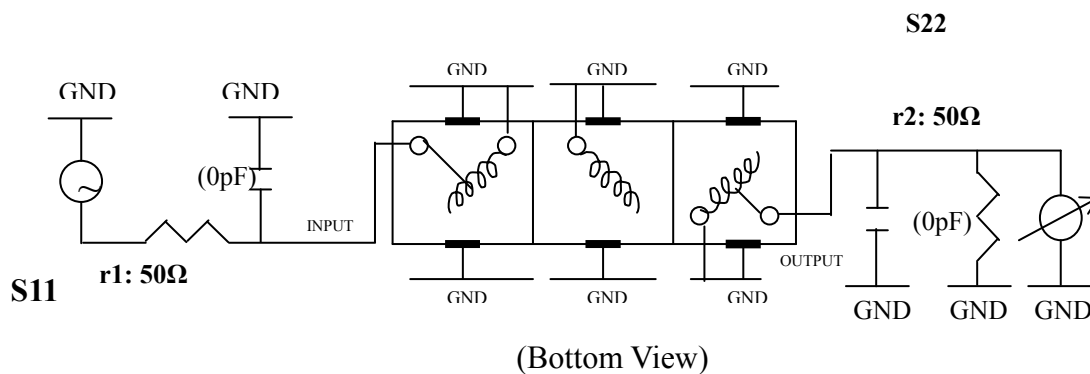
(4) Torque for Tuning Screw > 100gf · cm

(5) Temperature Condition:

Operating Temperature	-0°C ~ +60°C
Storage Temperature	-20°C ~ +70°C

(6) Input Power > 1Watt

(7) Measuring Circuit: ※Easy to match Impedance S11/S22 50Ωby parallel with about(0pF) / (0pF).



Approval	Supervisor	Designer	Aperture size
C.Y.Chang	C.S.Chang	C.S.Chang	7H3S(4*8.0F)(8.02) 7H00LB6

TEMWELL CORPORATION

TEMWELL

Form10-7H3A Vision D

RP (C.S.C)

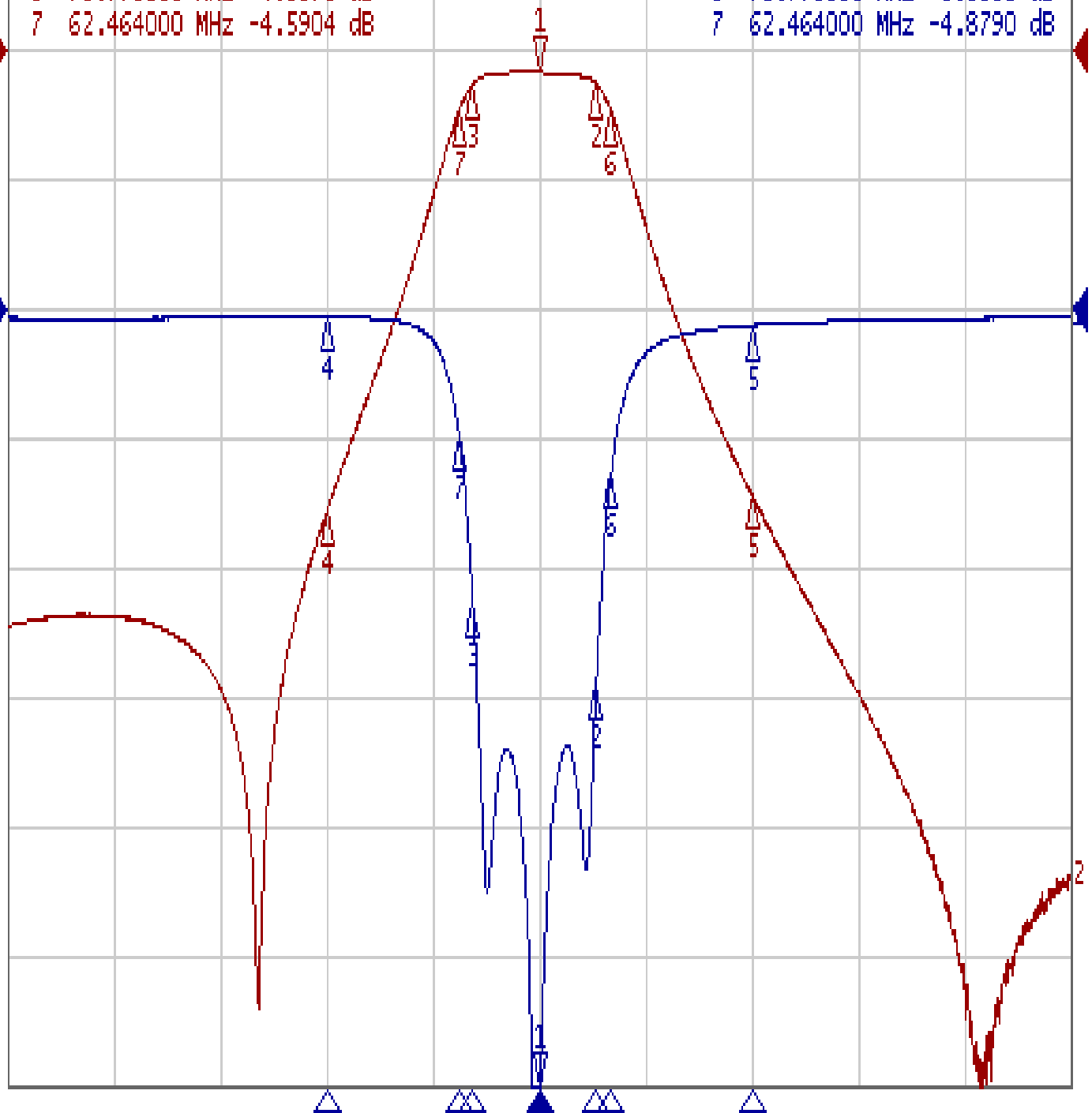
Performance-TT67424A-70M

200901071

Tr1 S11 Log Mag 5.000dB/ Ref 0.000dB [F3]
Tr2 S21 Log Mag 10.00dB/ Ref 0.000dB [F3]

1	70.000000 MHz	-1.6152 dB
2	75.372125 MHz	-2.5242 dB
3	63.764875 MHz	-2.5430 dB
4	50.000000 MHz	-35.606 dB
5	90.000000 MHz	-34.324 dB
6	76.773000 MHz	-4.6570 dB
7	62.464000 MHz	-4.5904 dB

>1	70.000000 MHz	-33.180 dB
2	75.372125 MHz	-14.514 dB
3	63.764875 MHz	-11.327 dB
4	50.000000 MHz	-0.2697 dB
5	90.000000 MHz	-0.5925 dB
6	76.773000 MHz	-6.3003 dB
7	62.464000 MHz	-4.8790 dB



1 Center 70 MHz

IFBW 10 kHz

Span 100 MHz

