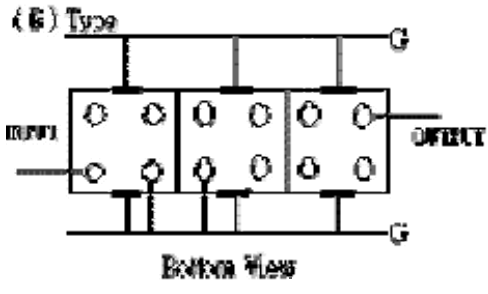
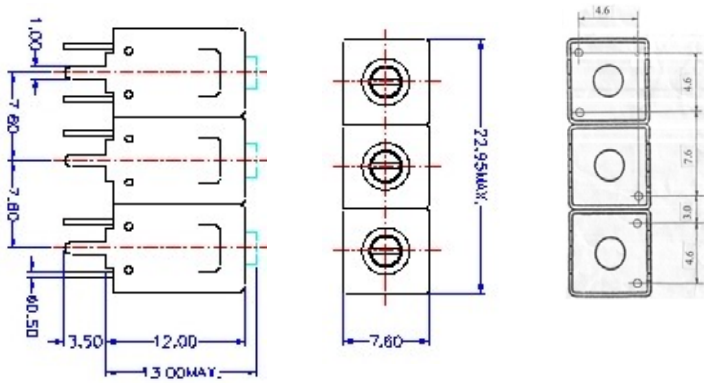


VHF UHF Helical Filter Specification Sheet

Customer Name		Temwell's Part No.	TT67419B-50M
Approval No. /dated	2009048DC	Acceptable Specify Fo. Range	46~55MHz
Work Instruction No.	2009048DC	Date	

(1)Pin Position	(2)Size Diagram
	

(3)Electric Character

Item	Specify	Performance	
Center Freq.(Fo) +/- 0.5 %	50 MHz	50 MHz	
Tunable Range	50±2 MHz	50±2 MHz	
Insertion Loss	Typ. 5.0 dB	3.7 dB	
-3 dB Bandwidth	Typ. 4 MHz	5 MHz	
Sensitivity (Attenuation)	Fo -10 MHz	Typ. 40 dBc	43 dBc
	Fo +10 MHz	Typ. 40 dBc	42 dBc
	Fo - ()MHz	Typ. dBc	dBc
	Fo +()MHz	Typ. dBc	dBc
Return Loss	Min. 12 dB	25 dB	
Ripple	< 1 dB	dB	
Impedance	In / Out : 50 Ω	In / Out : 50 Ω	
(4)Torque for Tuning Screw	> 100gf • cm		

(5)Temperature Condition:

Operating Temperature	0°C ~ +60°C
Storage Temperature	-20°C ~ +70°C

(6)Input Power

		> 1Watt	
Approval	Supervisor	Designer	Aperture size
C.Y. Chang	C.S. Chang	C.S. Chang	7H3S(4*5.5) F 7H00LB6

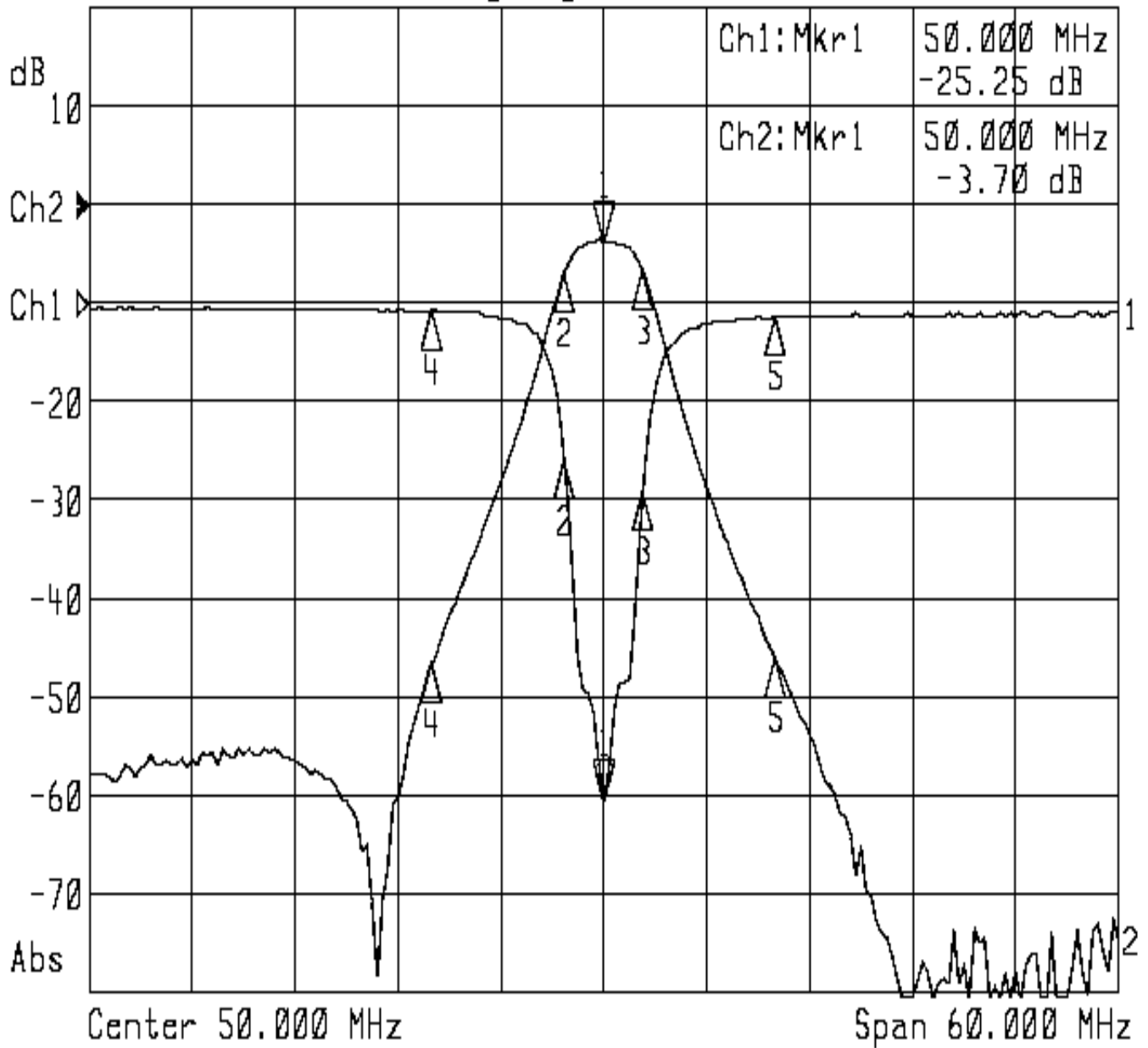
TEMWELL CORPORATION

Performance-TT67419B-50M

2009048DC

▶1: Reflection Log Mag 5.0 dB/ Ref 0.00 dB C

▶2: Transmission Log Mag 10.0 dB/ Ref 0.00 dB C



1: Mkr (MHz)	dB	2: Mkr (MHz)	dB
1> 50.00	-25.27	1> 50.00	-3.70
2: 47.72	-8.03	2: 47.72	-6.76
3: 52.28	-9.47	3: 52.28	-6.56
4: 40.00	-0.37	4: 40.00	-46.53
5: 60.00	-0.67	5: 60.00	-46.00