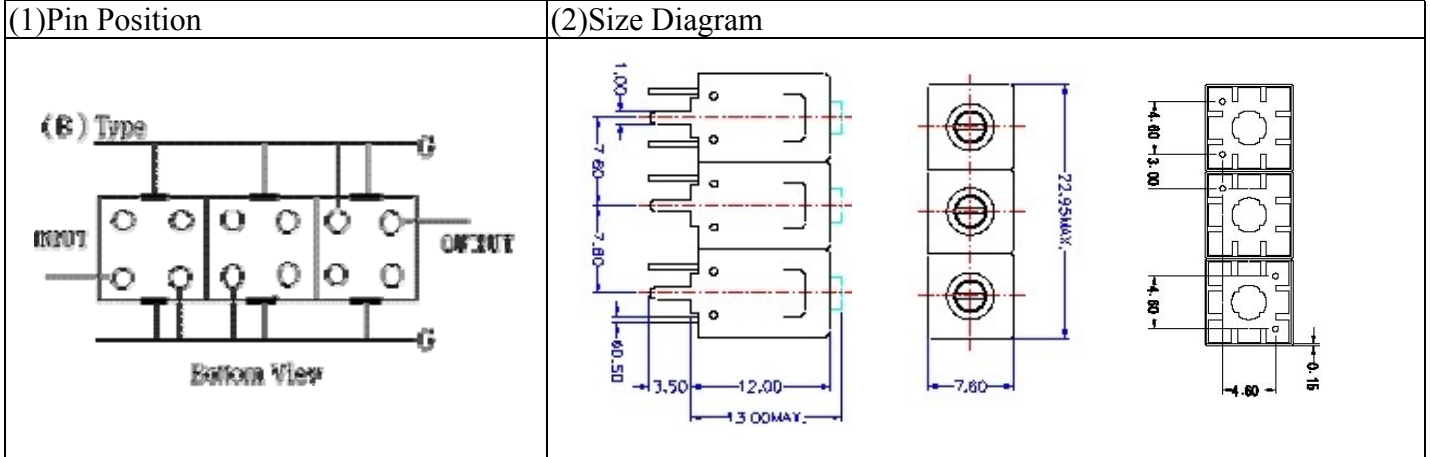
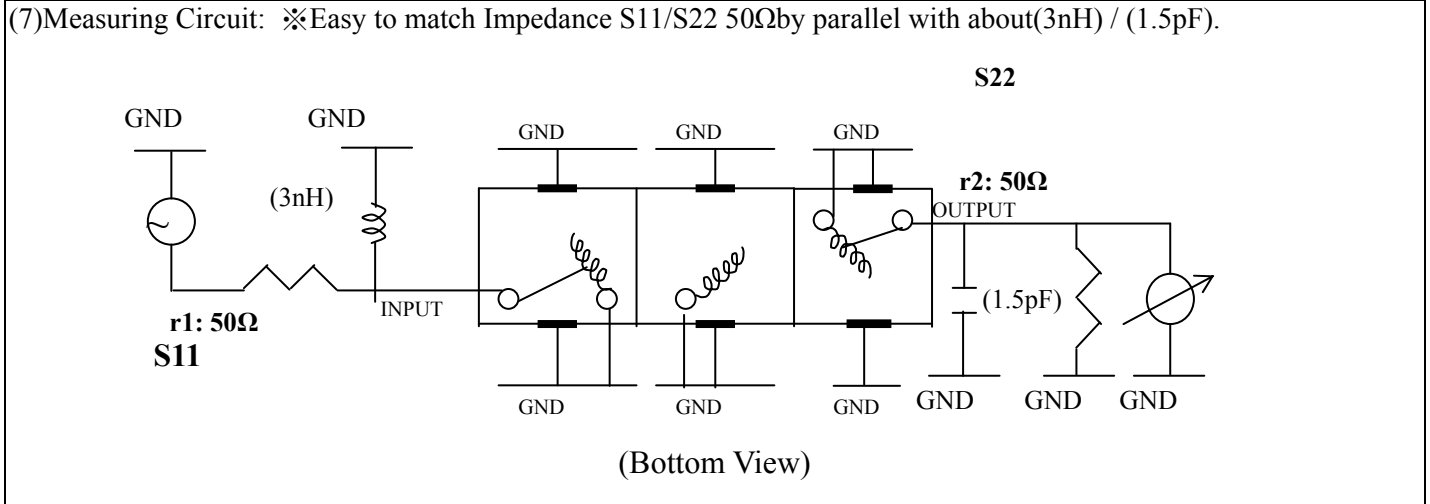


# VHF UHF Helical Filter Specification Sheet

Customer Name		Temwell's Part No.	TT67412B-485M
Approval No. /dated	2008175DC	Acceptable Specify Fo Range	456~515MHz
Work Instruction No.	2008175DC	Date	Aug.8,2000



(3) Electric Characteristic			
Item		Specify	Performance
Center Freq.(Fo) +/- 0.5 %		485 MHz	485 MHz
Tunable Range:		485±5 MHz	485±5 MHz
Insertion Loss		Typ. 3.0 dB	1.7 dB
-3 dB Bandwidth		Typ. 55 MHz	59 MHz
Sensitivity (Attenuation)	Fo - 100 MHz	Typ. 34 dBc	36 dBc
	Fo + 100 MHz	Typ. 25 dBc	27 dBc
	Fo - ( )MHz	Typ. dBc	dBc
	Fo +( )MHz	Typ. dBc	dBc
Return Loss		Min. 12 dB	18 dB
Ripple		< 1 dB	dB
Impedance		In / Out : 50 Ω	In / Out : 50 Ω
(4) Torque for Tuning Screw		> 100gf · cm	
(5) Temperature Condition:			
Operating Temperature		0°C ~ +60°C	
Storage Temperature		-20°C ~ +70°C	
(6) Input Power		> 1Watt	



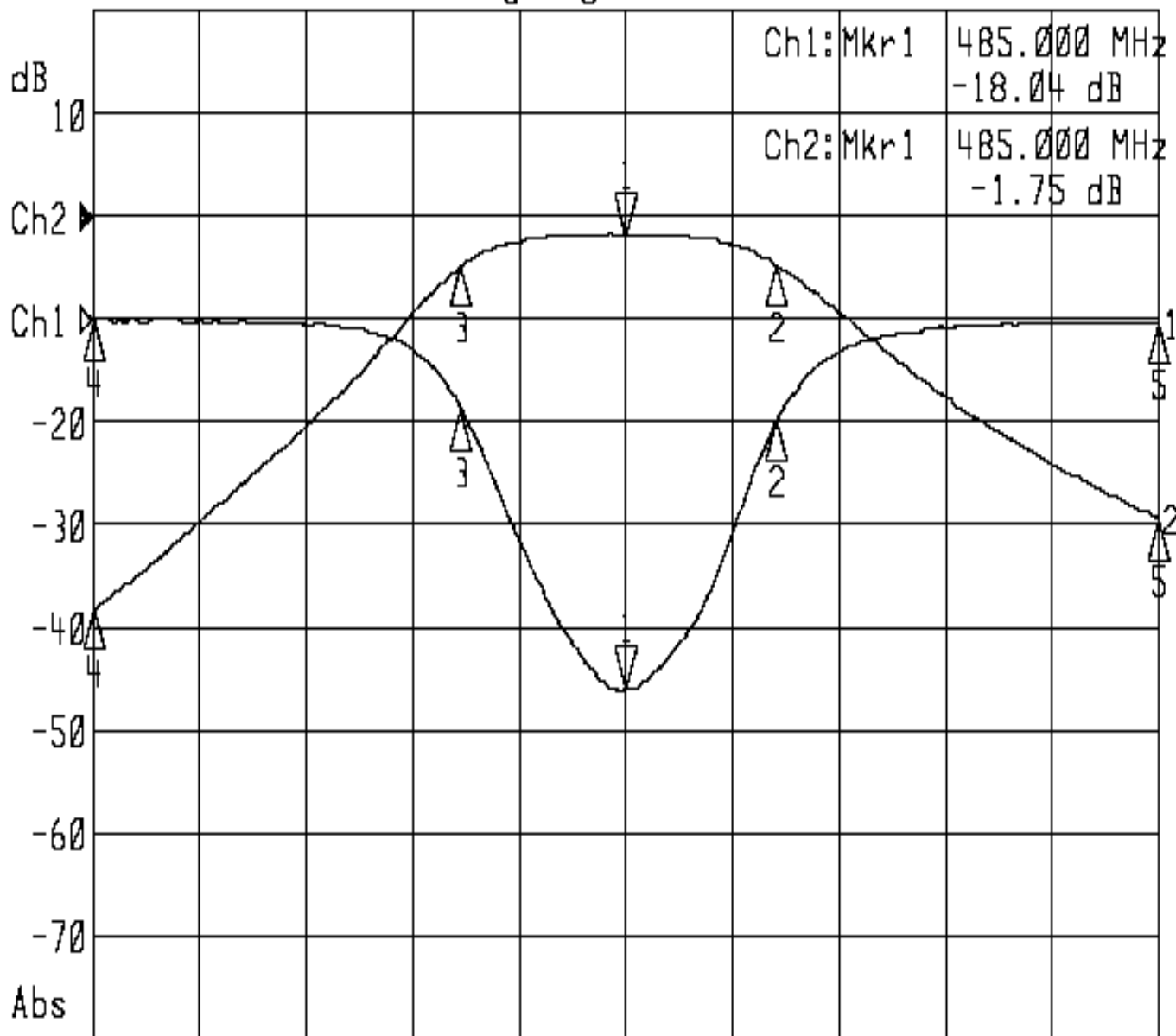
Approval	Supervisor	Designer	Aperture size
C.Y.Chang	C.S.Chang	C.S.Chang	7H3S(4*5.5)F 7H046LB5

TEMWELL CORPORATION

# Performance-TT67412B-485M

## 2008175DC

▶1: Reflection      Log Mag    5.0 dB/    Ref    0.00 dB    C  
 ▶2: Transmission    Log Mag    10.0 dB/    Ref    0.00 dB    C



Center 485.000 MHz

Span 200.000 MHz

1:Mkr (MHz)	dB	2:Mkr (MHz)	dB
1> 485.00	-18.04	1> 485.00	-1.75
2: 513.36	-4.87	2: 513.36	-4.65
3: 454.10	-4.33	3: 454.10	-4.81
4: 385.48	-0.02	4: 385.48	-38.13
5: 585.00	-0.08	5: 585.00	-29.42