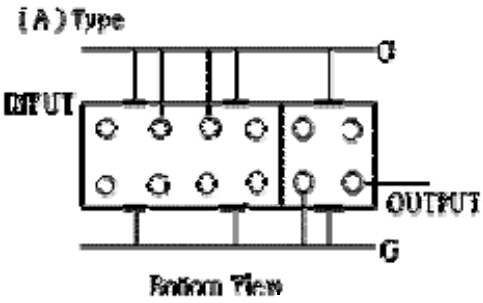
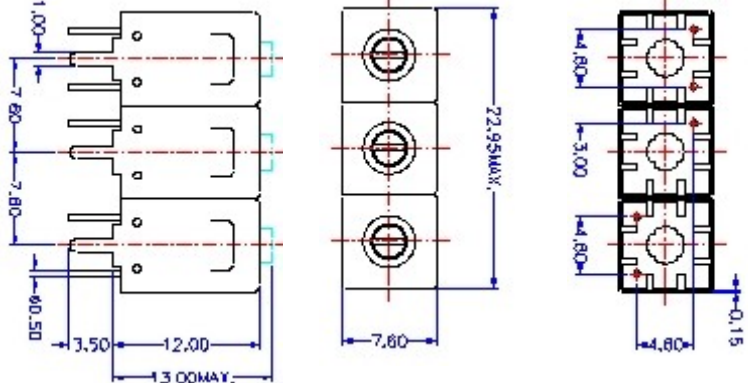


# VHF UHF Helical Filter Specification Sheet

Customer Name		Temwell's Part No.	TT67406A-1160M
Approval No. /dated	2009032DC	Acceptable Specify Fo. Range	1101~1180MHz
Work Instruction No.	2009032DC	Date	

(1) Pin Position	(2) Size Diagram
 <p>(A) Type Front View</p>	

(3) Electric Character			
Item	Specify	Performance	
Center Freq.(Fo ) +/- 0.5 %	1160 MHz	1160	MHz
Tunable Range	1160±5 MHz	1160±5	MHz
Insertion Loss	Typ. 4.5 dB	3.7	dB
-3 dB Bandwidth	Typ. 40 MHz	47	MHz
Sensitivity (Attenuation)	Fo -100 MHz	Typ. 40	dBc
	Fo +100 MHz	Typ. 26	dBc
	Fo - ( )MHz	Typ.	dBc
	Fo +( )MHz	Typ.	dBc
Return Loss	Min. 12 dB	31.8	dB
Ripple	< 1 dB		dB
Impedance	In / Out : 50 Ω	In / Out : 50 Ω	

(4) Torque for Tuning Screw	> 100gf · cm
-----------------------------	--------------

(5) Temperature Condition:	
Operating Temperature	0°C ~ +60°C
Storage Temperature	-20°C ~ +70°C

(6) Input Power	> 1Watt
-----------------	---------

Approval	Supervisor	Designer	Aperture size
C.Y. Chang	C.S. Chang	C.S. Chang	7H3S(4*6.5)F 7H046LB4

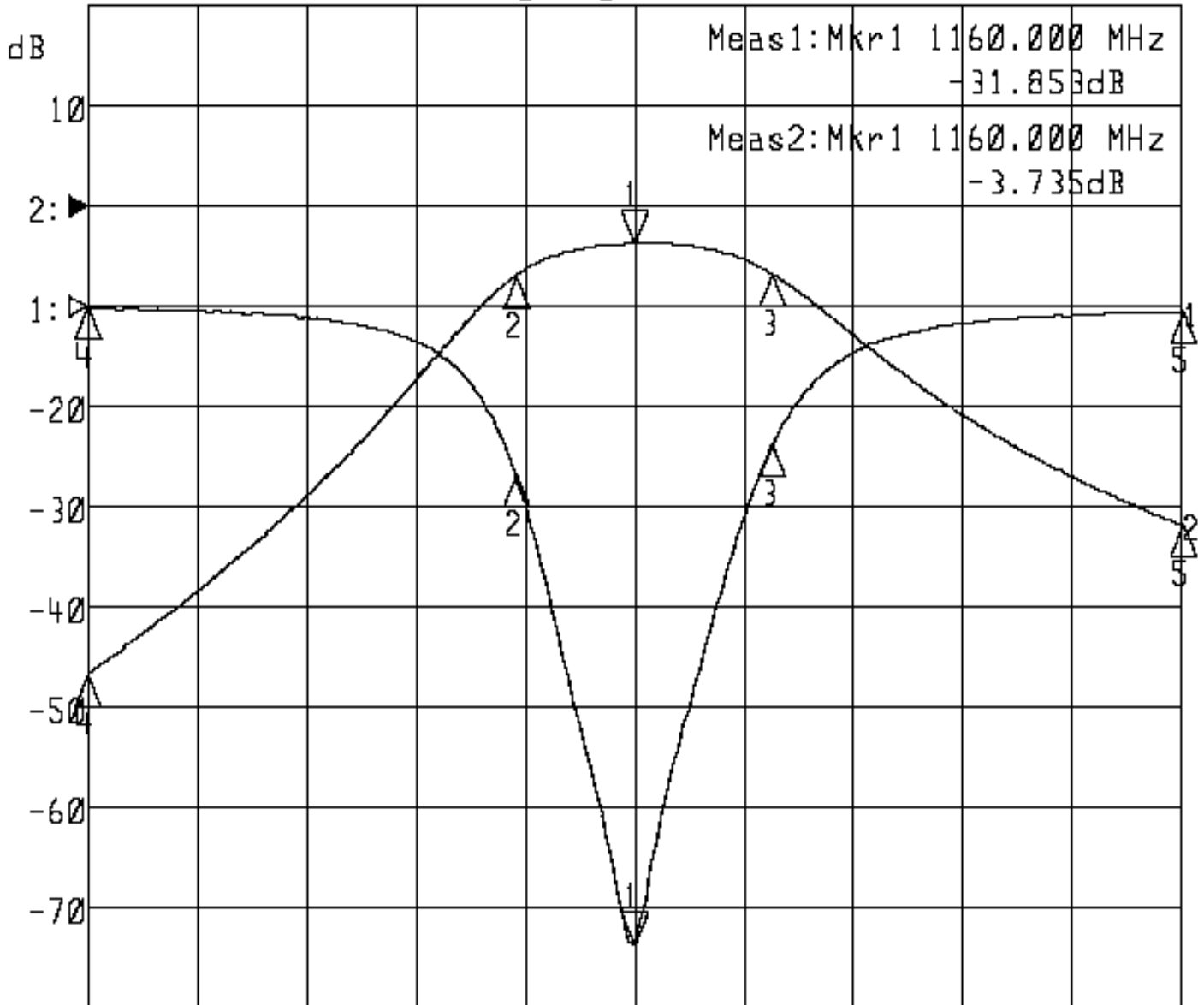
TEMWELL CORPORATION

# Performance-TT67406A-1160M

## 2009032DC

▶1:S11 Refl Port1 Log Mag 5.0 dB/ Ref 0.00 dB C

▶2:S21 Fwd Trans Log Mag 10.0 dB/ Ref 0.00 dB C



Center 1 160.000 MHz

Span 200.000 MHz

1: Mkr (MHz)	dB	2: Mkr (MHz)	dB
1 > 1160.0000	-31.853	1 > 1160.0000	-3.735
2: 1138.3333	-8.413	2: 1138.3333	-6.887
3: 1185.3333	-6.865	3: 1185.3333	-6.764
4: 1060.0000	-0.060	4: 1060.0000	-46.667
5: 1260.0000	-0.288	5: 1260.0000	-31.839