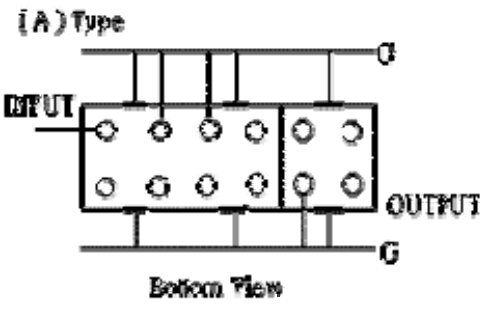
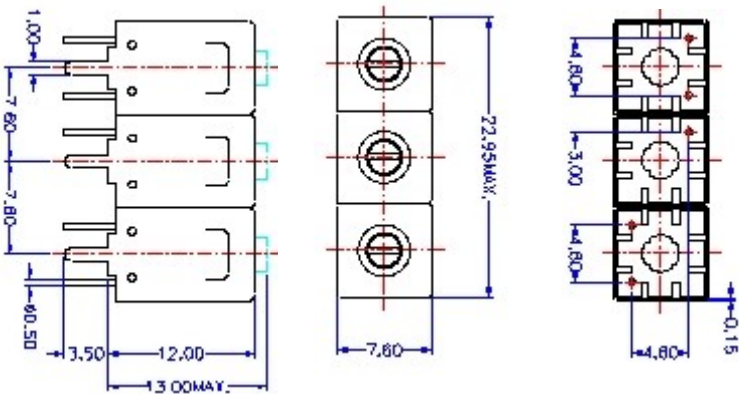


# VHF UHF Helical Filter Specification Sheet

Customer Name		Temwell's Part No.	TT67403A-1165M
Approval No. /dated	2008157DC	Acceptable Specify Fo. Range	1101~1180MHz
Work Instruction No.	2008157DC	Date	

(1)Pin Position	(2)Size Diagram
 <p>(A) Type Bottom View</p>	

### (3)Electric Character

Item	Specify	Performance	
Center Freq.(Fo ) +/- 0.5 %	1165 MHz	1165 MHz	
Tunable Range	1165±10 MHz	1165±10 MHz	
Insertion Loss	Typ. 4.0 dB	3.0 dB	
-3 dB Bandwidth	Typ. 15 MHz	21 MHz	
Sensitivity (Attenuation)	Fo -100 MHz	Typ. 48 dBc	50 dBc
	Fo +100 MHz	Typ. 38 dBc	40 dBc
	Fo - ( )MHz	Typ. dBc	dBc
	Fo +( )MHz	Typ. dBc	dBc
Return Loss	Min. 12 dB	15.8 dB	
Ripple	< 1 dB	dB	
Impedance	In / Out : 50 Ω	In / Out : 50 Ω	
(4)Torque for Tuning Screw	> 100gf · cm		

### (5)Temperature Condition:

Operating Temperature	0°C ~ +60°C
Storage Temperature	-20°C ~ +70°C

### (6)Input Power

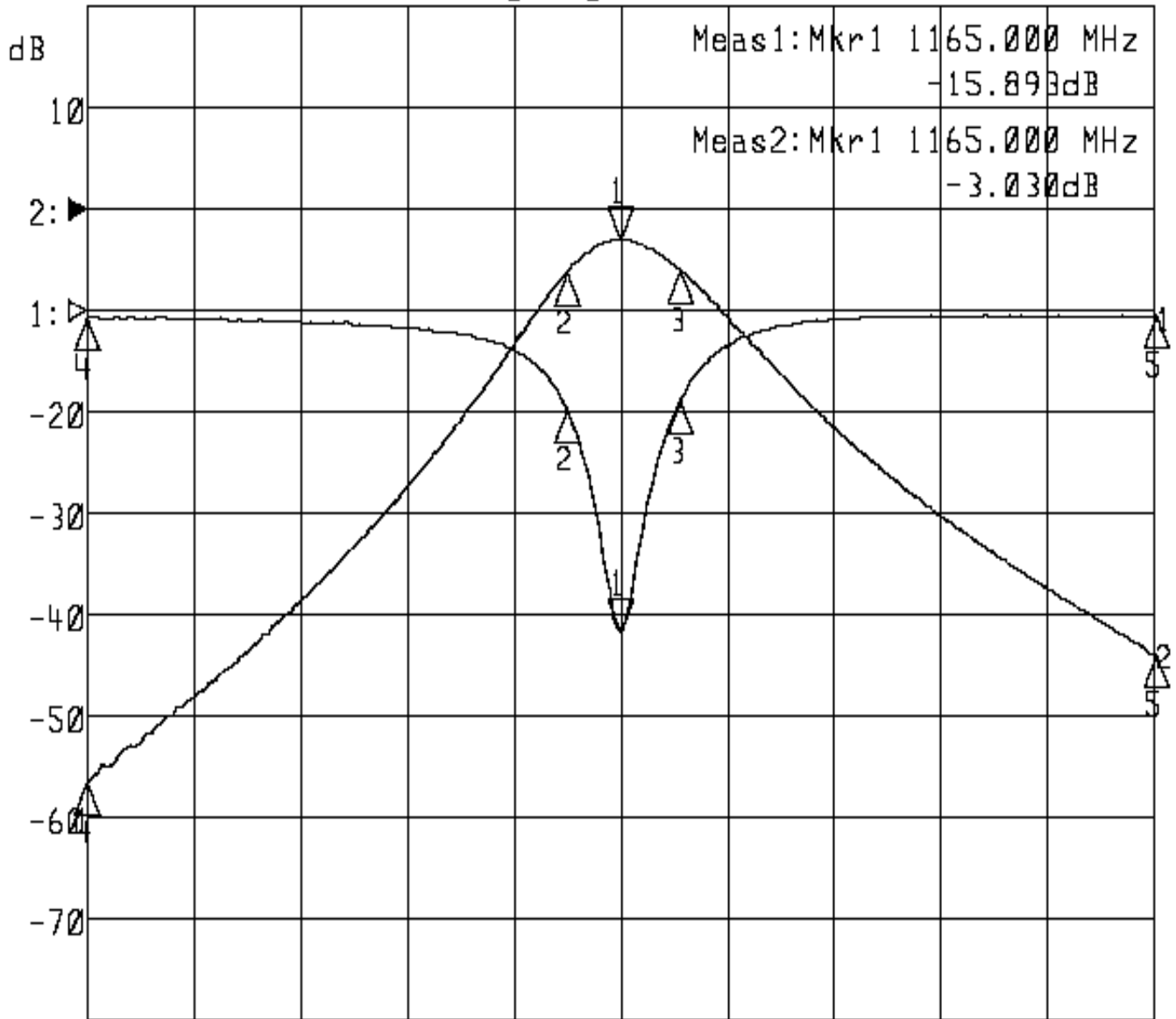
Approval	Supervisor	Designer	Aperture size
C.Y.Chang	C.S.Chang	C.S.Chang	7H3S(4*6.5)F 7H046LB4

TEMWELL CORPORATION

# Performance-TT67403A-1165M

## 2008157DC

▷1:S11 Refl Port1 Log Mag 5.0 dB/ Ref 0.00 dB C  
▷2:S21 Fwd Trans Log Mag 10.0 dB/ Ref 0.00 dB C



Center 1 165.000 MHz

Span 200.000 MHz

1: Mkr (MHz)	dB	2: Mkr (MHz)	dB
1> 1165.0000	-15.893	1> 1165.0000	-3.030
2: 1155.0667	-4.930	2: 1155.0667	-6.141
3: 1176.1333	-4.457	3: 1176.1333	-5.942
4: 1065.0667	-0.336	4: 1065.0667	-56.613
5: 1265.0000	-0.285	5: 1265.0000	-43.911