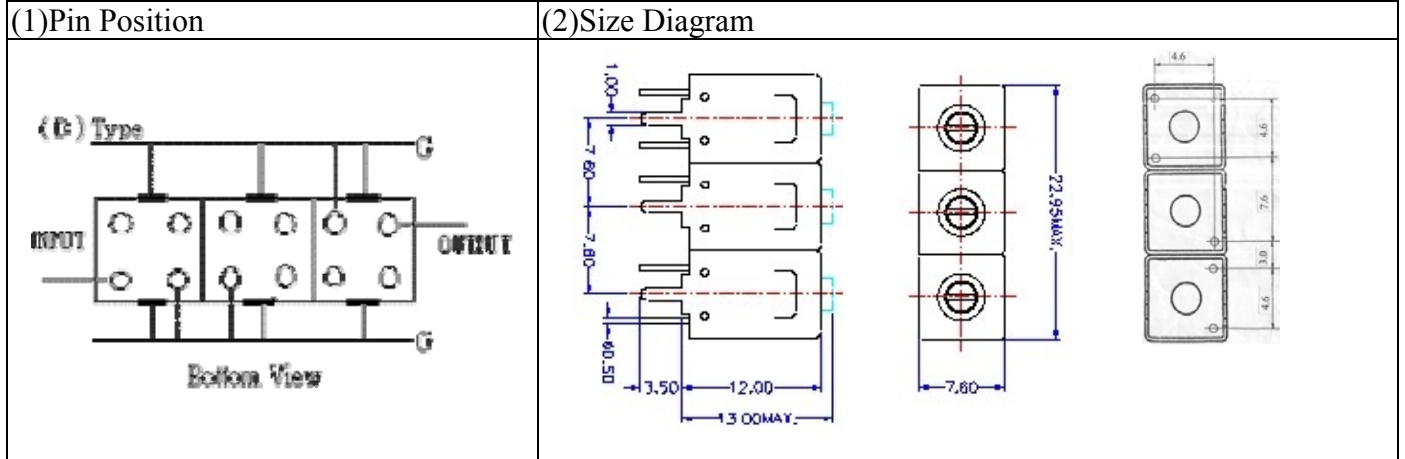


VHF UHF Helical Filter Specification Sheet

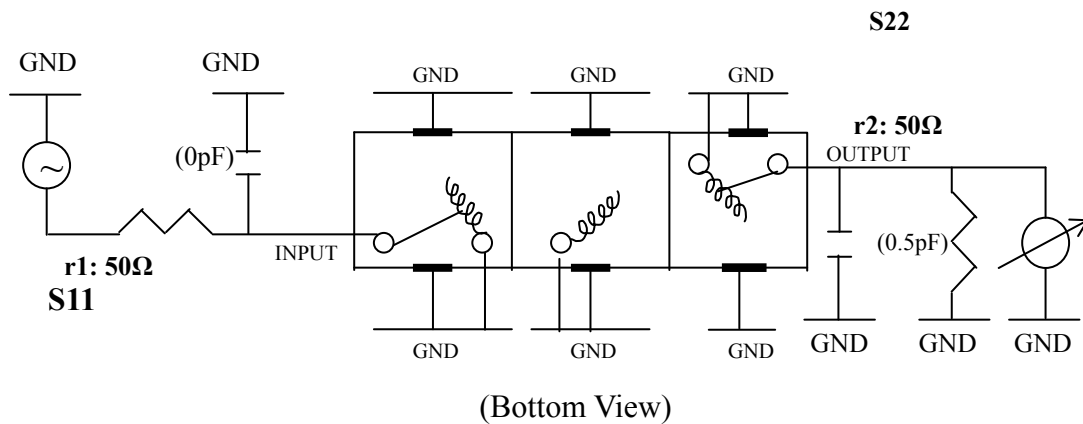
Customer Name		Temwell's Part No.	TT67397B-160M
Approval No. /dated	20505025B	Acceptable Specify Fo. Range	146~165M
Work Instruction No.	20505025B	Date	May.19.2005



(3) Electric Charasteric

Item	Specify	Performance
Center Freq.(Fo) +/- 0.5 %	160 MHz	160 MHz
Tunable Range	160±2 MHz	160±2 MHz
Insertion Loss	Typ. 2.5 dB	1.31 dB
-3 dB Bandwidth	Typ. 34 MHz	35.5 MHz
Sensitivity (Attenuation)	Fo - 50 MHz	Typ. 36 dBc
	Fo + 50 MHz	Typ. 22 dBc
	Fo - ()MHz	Typ. dBc
	Fo +()MHz	Typ. dBc
Return Loss	Min. 12 dB	29 dB
Ripple	< 1 dB	dB
Impedance	In / Out : 50 Ω	In / Out : 50 Ω
(4) Torque for Tuning Screw	> 100gf • cm	
(5) Temperature Condition:		
Operating Temperature	0°C ~ +60°C	
Storage Temperature	-20°C ~ +70°C	
(6) Input Power	> 1Watt	

(7) Measuring Circuit: ※Easy to match Impedance S11/S22 50Ω/by parallel with about(0 pF) / (0-2 pF).

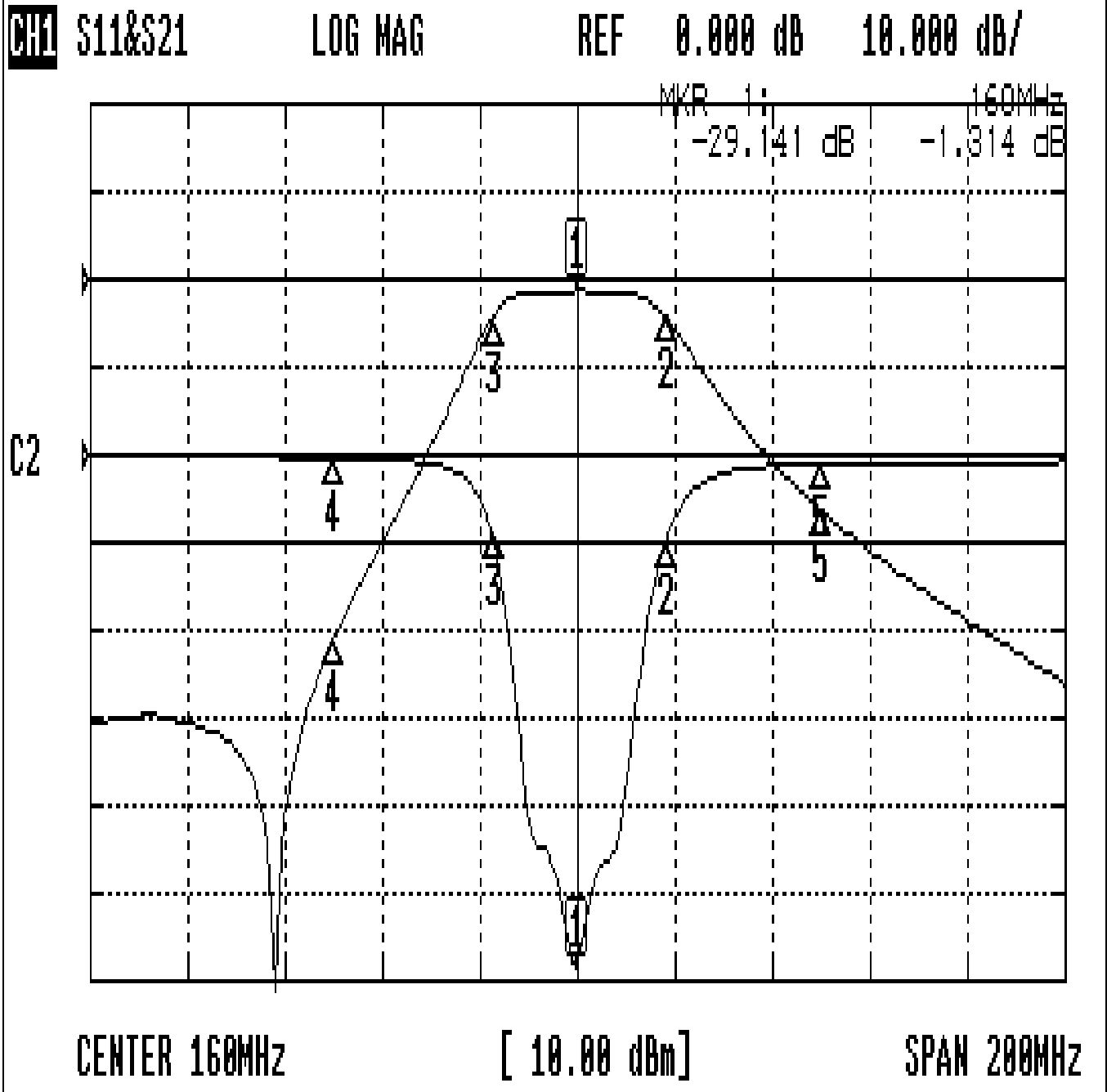


Approval	Supervisor	Designer	Aperture size
C.Y. Chang	C.S.Chang	P.H.Chiang	7H3(4*8.0)(8.01) 7H00LB6

TEMWELL CORPORATION

Performance-TT67397B-160M

20505025B



CH1 MARKER LIST

1:	160.000MHz	-29.141 dB	-1.314 dB
2:	178.166MHz	-4.945 dB	-4.354 dB
3:	142.666MHz	-4.725 dB	-4.323 dB
4:	110.000MHz	-0.176 dB	-41.192 dB
5:	210.000MHz	-0.487 dB	-26.307 dB