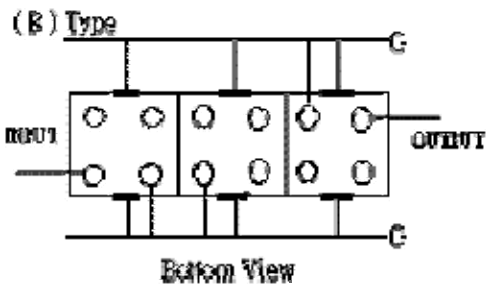
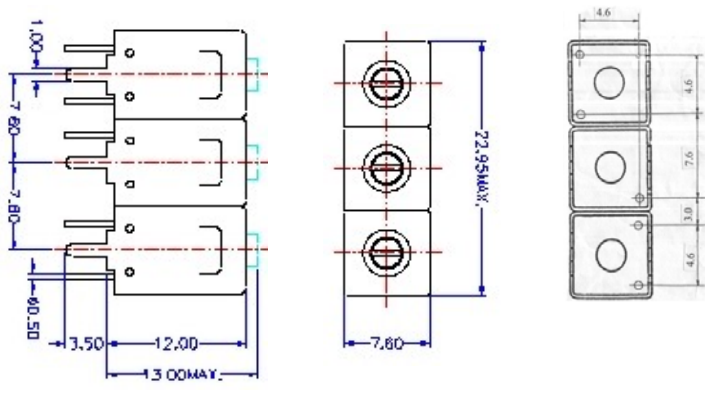


# VHF UHF Helical Filter Specification Sheet

Customer Name		Temwell's Part No.	TT67383B-142M
Approval No. /dated	2008140DC	Acceptable Specify Fo. Range	126~145MHz
Work Instruction No.	2008140DC	Date	Aug.30.2000

(1)Pin Position	(2)Size Diagram
 <p>(B) Type</p> <p>Bottom View</p>	

(3)Electric Character			
Item		Specify	Performance
Center Freq.(Fo ) +/- 0.5 %		142 MHz	142 MHz
Tunable Range		142±2 MHz	142±2 MHz
Insertion Loss		Typ. 3.5 dB	2.1 dB
-3 dB Bandwidth		Typ. 14 MHz	15 MHz
Sensitivity (Attenuation)	Fo - 50 MHz	Typ. 60 dBc	63 dBc
	Fo + 50 MHz	Typ. 64 dBc	67 dBc
	Fo - ( )MHz	Typ. dBc	dBc
	Fo +( )MHz	Typ. dBc	dBc
Return Loss		Min. 12 dB	26 dB
Ripple		< 1 dB	dB
Impedance		In / Out : 50 Ω	In / Out : 50 Ω

(4)Torque for Tuning Screw	> 100gf • cm
----------------------------	--------------

(5)Temperature Condition:	
Operating Temperature	0°C ~ +60°C
Storage Temperature	-20°C ~ +70°C

(6)Input Power	> 1Watt
----------------	---------

Approval	Supervisor	Designer	Aperture size
C.Y.Chang	C.S.Chang	C.S.Chang	7H3S(4*6.5) 7H00LB6

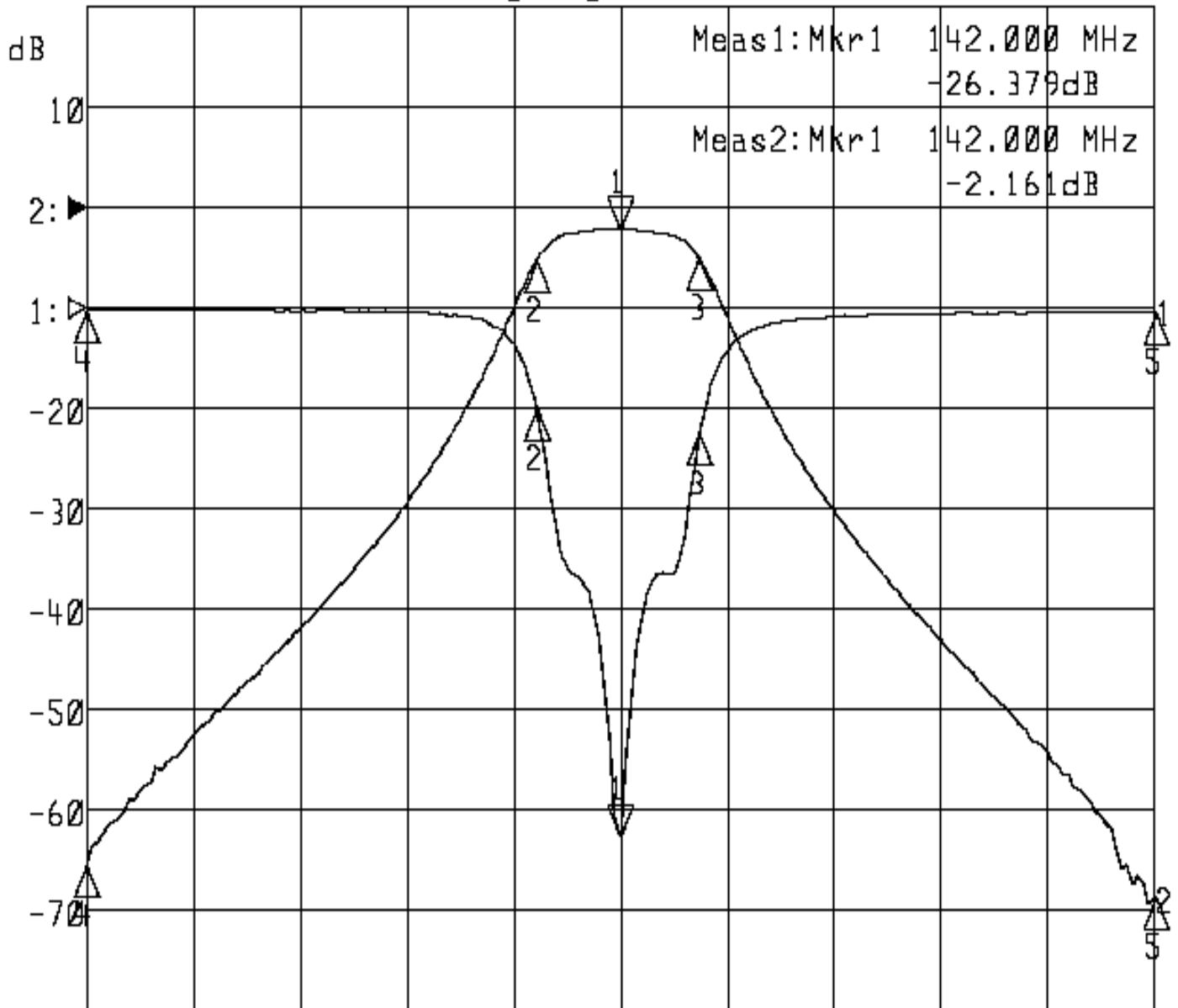
TEMWELL CORPORATION

# Performance-TT67383B-142M

## 2008140DC

▶1:S11 Refl Port1 Log Mag 5.0 dB/ Ref 0.00 dB C

▶2:S21 Fwd Trans Log Mag 10.0 dB/ Ref 0.00 dB C



Center 142.000 MHz

Span 100.000 MHz

1:Mkr (MHz)	dB	2:Mkr (MHz)	dB
1> 142.0000	-26.379	1> 142.0000	-2.161
2: 134.1667	-5.015	2: 134.1667	-5.214
3: 149.4667	-6.244	3: 149.4667	-5.114
4: 92.0000	-0.117	4: 92.0000	-65.422
5: 192.0000	-0.209	5: 192.0000	-68.798