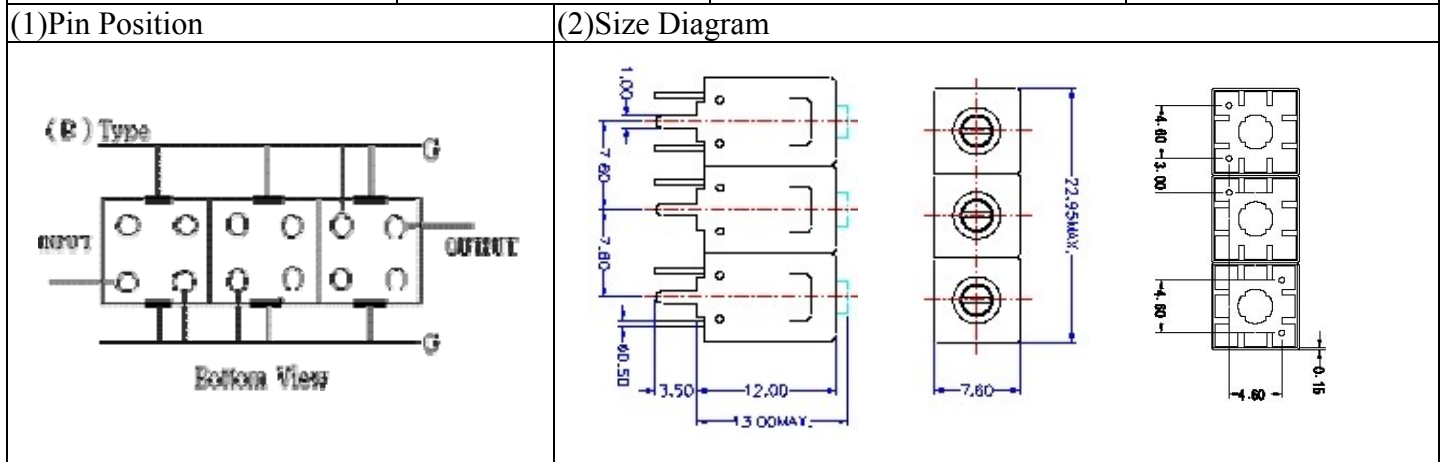


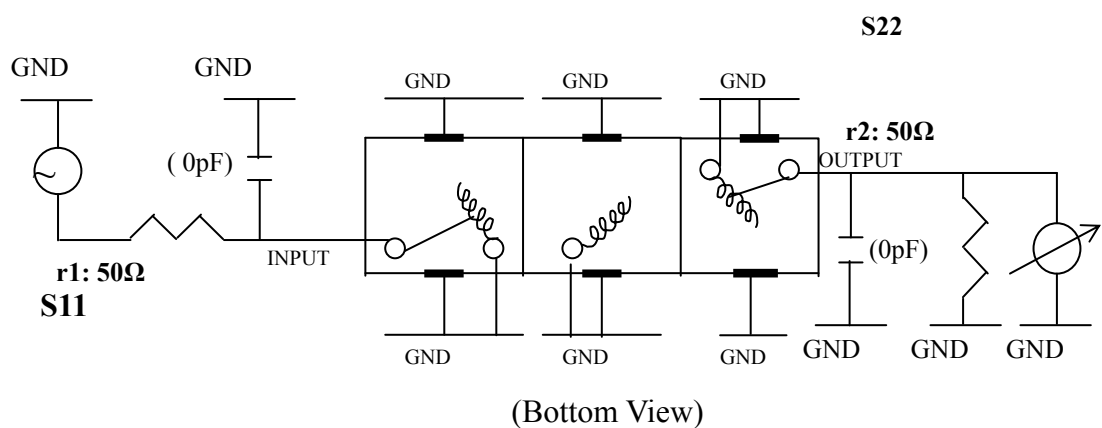
VHF UHF Helical Filter Specification Sheet

Customer Name		Temwell's Part No.	TT67381B-144M
Approval No. /dated	0901065CD	Customer's Print Name.	67381B 144M
Work Instruction No.	200901065CD	Date	Feb.04.2009



(3) Electric Characteristic			
Item		Specify	Performance
Center Freq.(Fo) +/- 0.5 %		144 MHz	144 MHz
Tunable Range:		144±2 MHz	144±2 MHz
Insertion Loss		Typ. 2.0 dB	1.13 dB
-3 dB Bandwidth		Typ. 20 MHz	22.3 MHz
Sensitivity (Attenuation)	Fo - 30 MHz	Typ. 28 dBc	31 dBc
	Fo + 30 MHz	Typ. 25 dBc	28 dBc
	Fo - ()MHz	Typ. dBc	dBc
	Fo +()MHz	Typ. dBc	dBc
Return Loss		Min. 12 dB	36.7 dB
Ripple		< 1 dB	dB
Impedance		In / Out : 50 Ω	In / Out : 50 Ω
(4) Torque for Tuning Screw		> 100gf · cm	
(5) Temperature Condition:			
Operating Temperature		0°C ~ +60°C	
Storage Temperature		-20°C ~ +70°C	
(6) Input Power		> 1 Watt	

(7) Measuring Circuit: ※Easy to match Impedance S11/S22 50Ωby parallel with about(0pF) / (0pF).



Approval	Supervisor	Designer	Aperture size
C.Y.Chang	C.S.Chang	C.S.Chang	7H3(4*5.5)(5.61) 7H024LB6.5

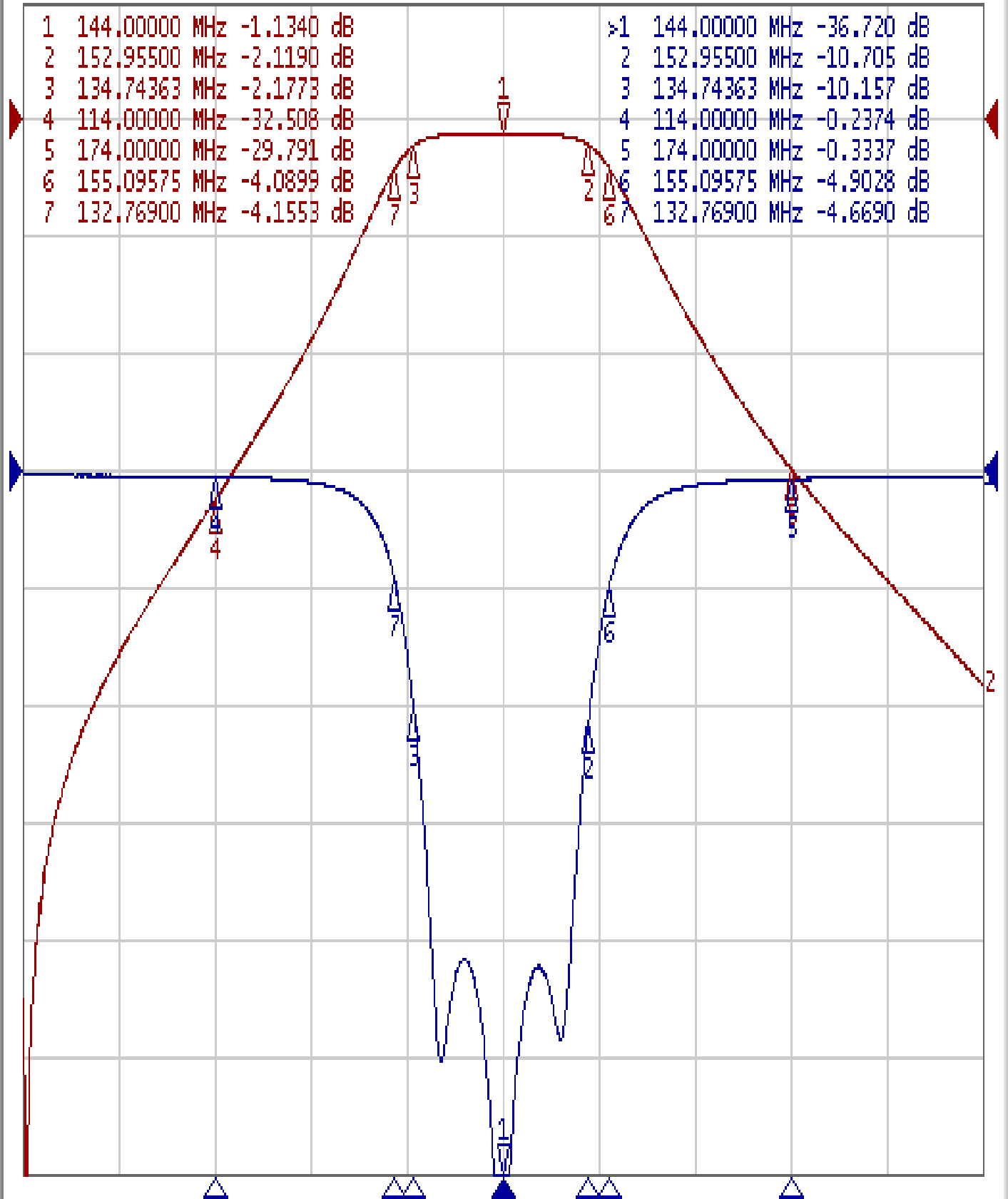
TEMWELL CORPORATION

Performance-TT67381B-144M

200901065CD

Tr1 S11 Log Mag 5.000dB/ Ref 0.000dB [F3]
Tr2 S21 Log Mag 10.00dB/ Ref 0.000dB [F3]

1	144.00000 MHz	-1.1340 dB	>1	144.00000 MHz	-36.720 dB
2	152.95500 MHz	-2.1190 dB	2	152.95500 MHz	-10.705 dB
3	134.74363 MHz	-2.1773 dB	3	134.74363 MHz	-10.157 dB
4	114.00000 MHz	-32.508 dB	4	114.00000 MHz	-0.2374 dB
5	174.00000 MHz	-29.791 dB	5	174.00000 MHz	-0.3337 dB
6	155.09575 MHz	-4.0899 dB	6	155.09575 MHz	-4.9028 dB
7	132.76900 MHz	-4.1553 dB	6	132.76900 MHz	-4.6690 dB



1 Center 144 MHz

IFBW 10 kHz

Span 100 MHz

