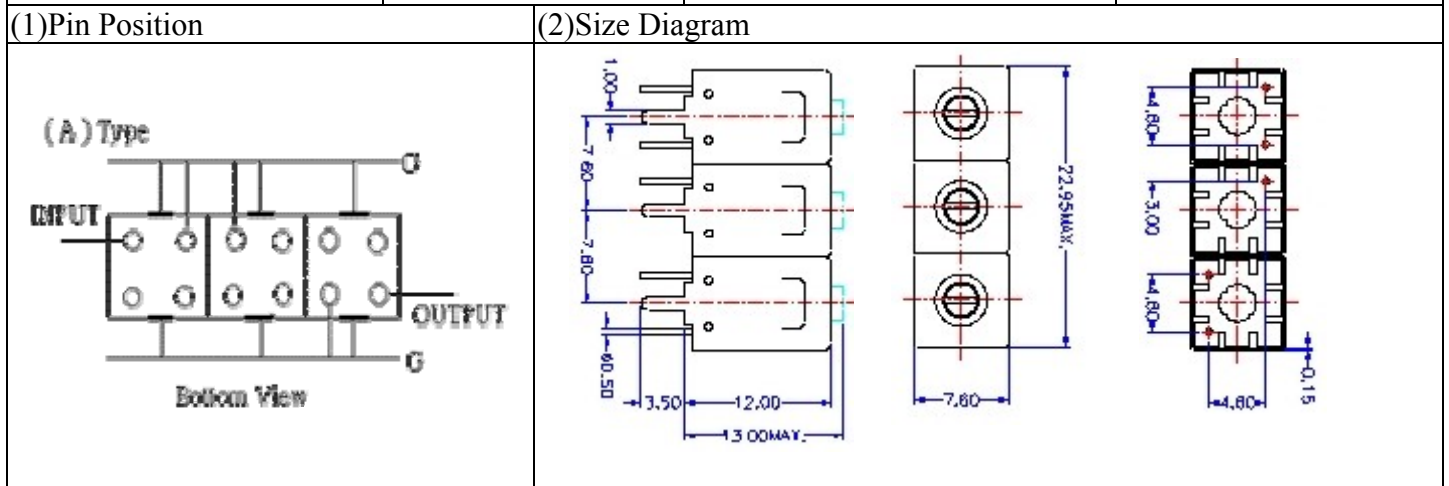


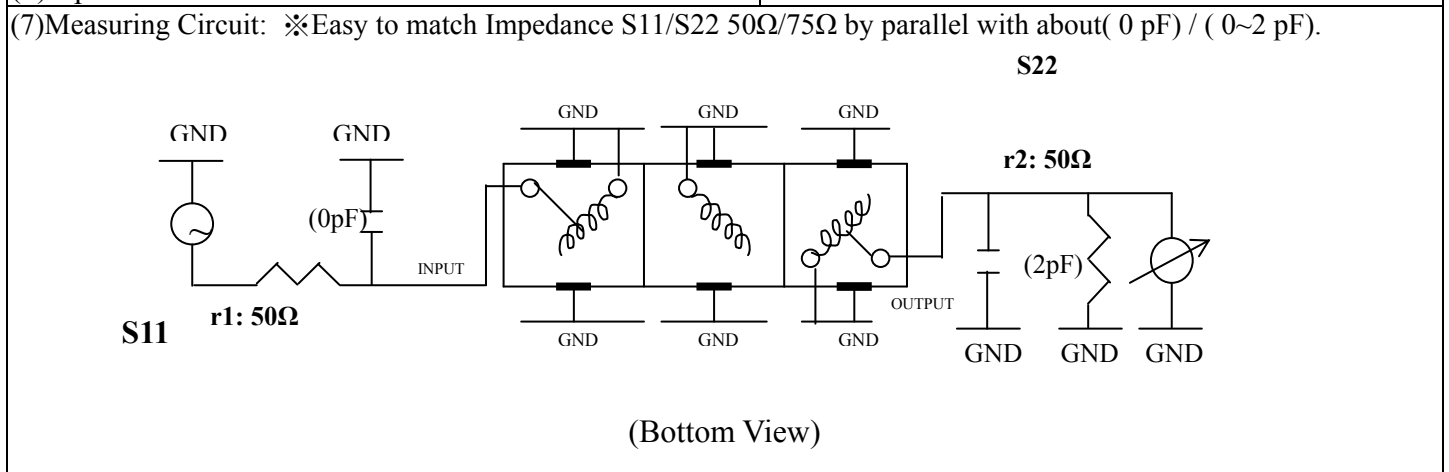
VHF UHF Helical Filter Specification Sheet

Customer Name		Temwell's Part No.	TT67363A-1130M
Approval No. /dated	20506049B	Acceptable Specify Fo Range	1101~1180MHz
Work Instruction No.	20506049B	Date	Jun.30.2005



(3) Electric Characteristic			
Item		Specify	Performance
Center Freq.(Fo) +/- 0.5 %		1130 MHz	1130 MHz
Tunable Range		1130±10 MHz	1130±10 MHz
Insertion Loss		Typ. 4.0 dB	2.88 dB
-3 dB Bandwidth		Typ. 18 MHz	25.7 MHz
Sensitivity (Attenuation)	Fo - 50 MHz	Typ. 23 dBc	28 dBc
	Fo + 50 MHz	Typ. 26 dBc	22 dBc
	Fo - ()MHz	Typ. dBc	dBc
	Fo + ()MHz	Typ. dBc	dBc
Return Loss		Min. 12 dB	35.8 dB
Ripple		< 1 dB	dB
Impedance		In / Out : 50 Ω	In / Out : 50 Ω
(4) Torque for Tuning Screw		> 100gf · cm	

(5) Temperature Condition:	
Operating Temperature	0°C ~ +60°C
Storage Temperature	-20°C ~ +70°C
(6) Input Power	> 1Watt

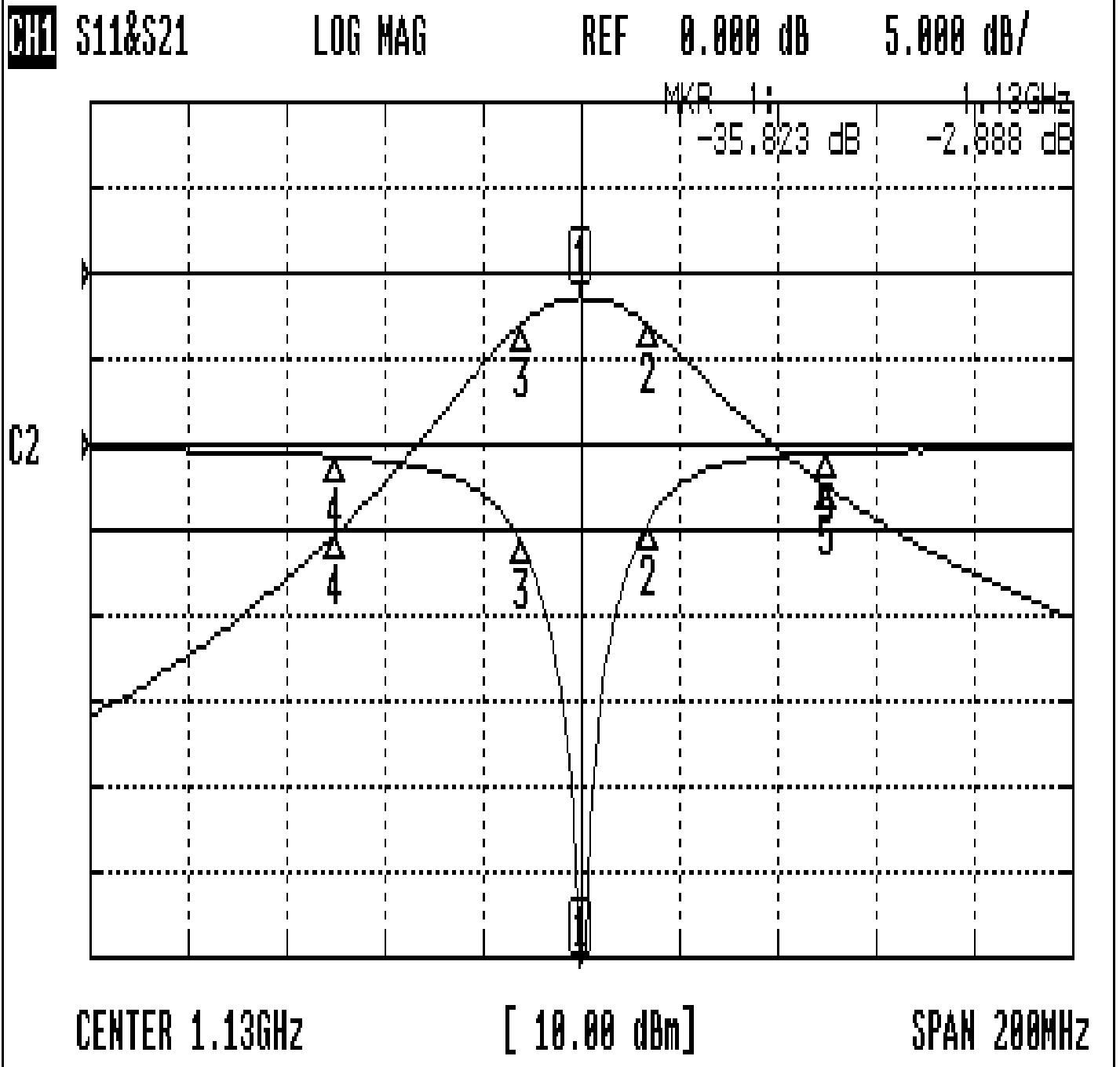


Approval	Supervisor	Designer	Aperture size
C.Y.Chang	C.S.Chang	P.H.Chiang	7H3(4*5.5)-(5.60) 7H046LB4 聚 3

TEMWELL CORPORATION

Performance-TT67363A-1130M

20506049B



CH1 MARKER LIST

1:	1.130 000GHz	-35.823 dB	-2.888 dB
2:	1.143 500GHz	-4.652 dB	-5.897 dB
3:	1.117 833GHz	-5.789 dB	-5.840 dB
4:	1.080 000GHz	-0.709 dB	-30.432 dB
5:	1.180 000GHz	-0.523 dB	-24.926 dB