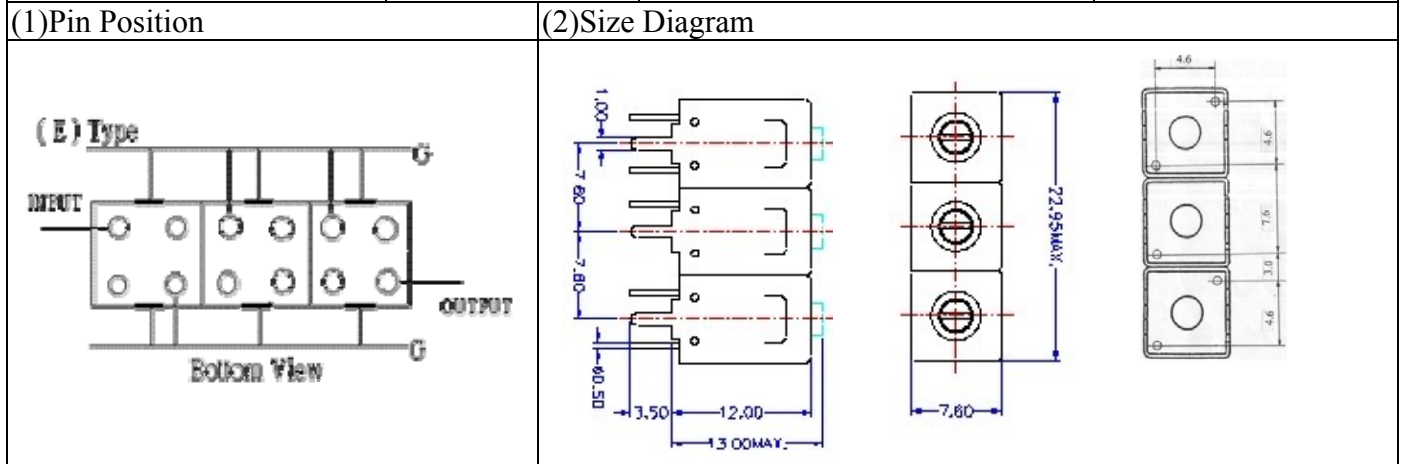


VHF UHF Helical Filter Specification Sheet

| | | | |
|----------------------|-----------|-----------------------------|----------------|
| Customer Name | | Temwell's Part No. | TT67357E-1105M |
| Approval No. /dated | 0512087DB | Acceptable Specify Fo Range | 1101-1180 MHz |
| Work Instruction No. | 0512087DB | Date | Dec.21.2005 |



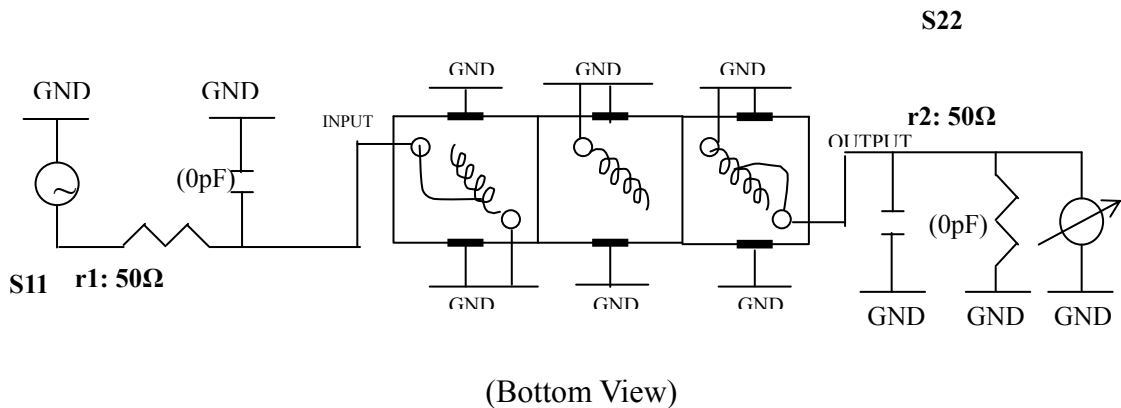
| Item | | Specify | Performance |
|----------------------------|--------------|-----------------|-----------------|
| Center Freq.(Fo) +/- 0.5 % | | 1105 MHz | 1105 MHz |
| Tunable Range | | 1105±5 MHz | 1105±5 MHz |
| Insertion Loss | | Typ. 2.5 dB | 1.24 dB |
| -3 dB Bandwidth | | Typ. 70 MHz | 82 MHz |
| Sensitivity (Attenuation) | Fo - 100 MHz | Typ. 23 dBc | 26 dBc |
| | Fo + 100 MHz | Typ. 20 dBc | 23 dBc |
| | Fo - ()MHz | Typ. dBc | dBc |
| | Fo +()MHz | Typ. dBc | dBc |
| Return Loss | | Min. 12 dB | 23.0 dB |
| Ripple | | < 1 dB | dB |
| Impedance | | In / Out : 50 Ω | In / Out : 50 Ω |

(4) Torque for Tuning Screw > 100gf · cm

| | |
|----------------------------|---------------|
| (5) Temperature Condition: | |
| Operating Temperature | 0°C ~ +60°C |
| Storage Temperature | -20°C ~ +70°C |

(6) Input Power > 1Watt

(7) Measuring Circuit: ※Easy to match Impedance S11/S22 50Ω by parallel with about(0 pF) / (0 pF).



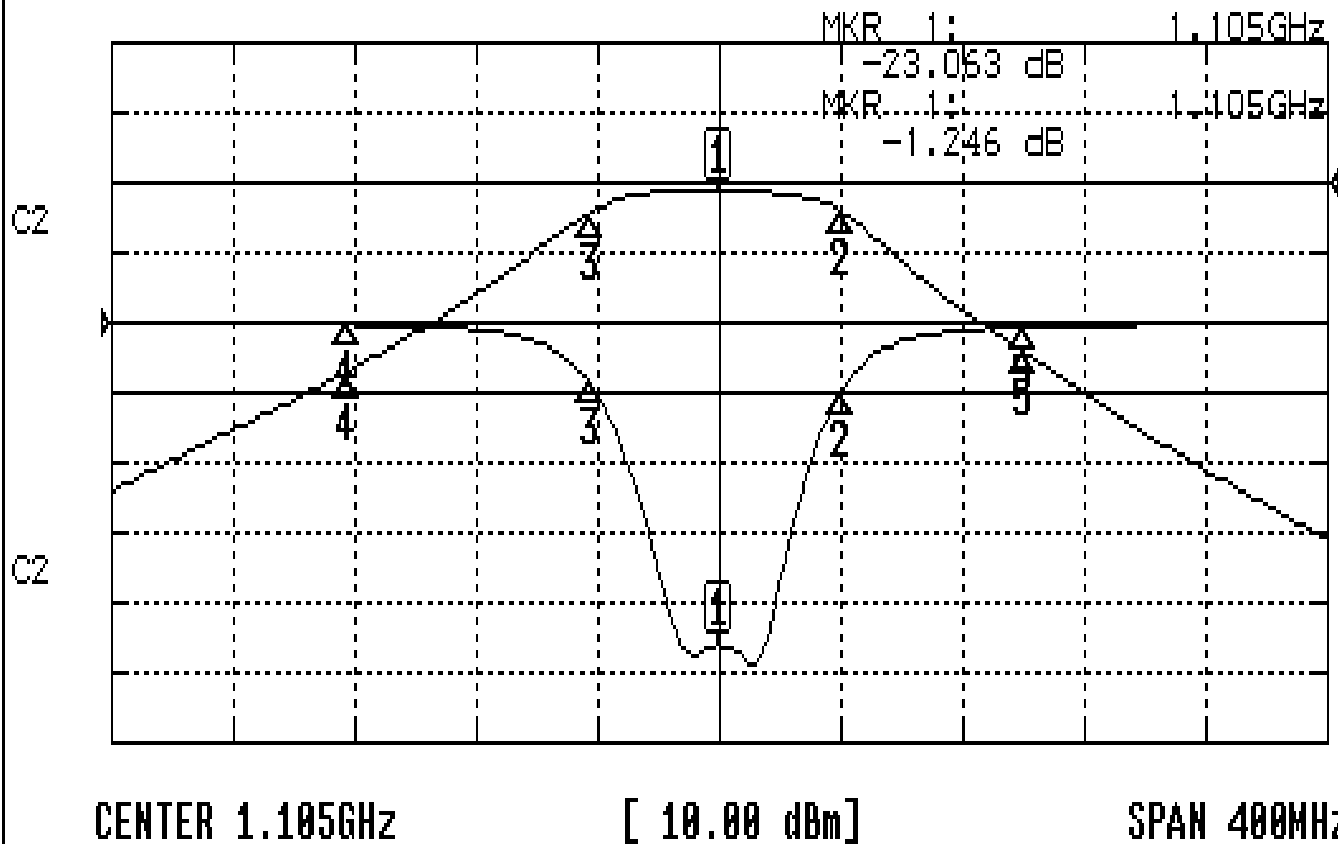
| | | | |
|-----------|------------|-----------|-------------------------------|
| Approval | Supervisor | Designer | Aperture size |
| C.Y.Chang | C.S.Chang | C.S.Chang | 7H3S(4*8.0)(8.02) 7H046LB5 |

TEMWELL CORPORATION

Performance-TT67357E-1105M

0512087DB

CH1 S11 LOG MAG REF 0.000 dB 5.000 dB/
 CH2 S21 LOG MAG REF 0.000 dB 10.000 dB/



CH1 MARKER LIST

| | | |
|----|--------------|------------|
| 1: | 1.105 000GHz | -23.063 dB |
| 2: | 1.145 333GHz | -4.806 dB |
| 3: | 1.062 666GHz | -4.434 dB |
| 4: | 982.666MHz | -0.134 dB |
| 5: | 1.205 000GHz | -0.299 dB |

CH2 MARKER LIST

| | | |
|----|--------------|------------|
| 1: | 1.105 000GHz | -1.246 dB |
| 2: | 1.145 333GHz | -4.244 dB |
| 3: | 1.062 666GHz | -4.274 dB |
| 4: | 982.666MHz | -27.001 dB |
| 5: | 1.205 000GHz | -24.382 dB |