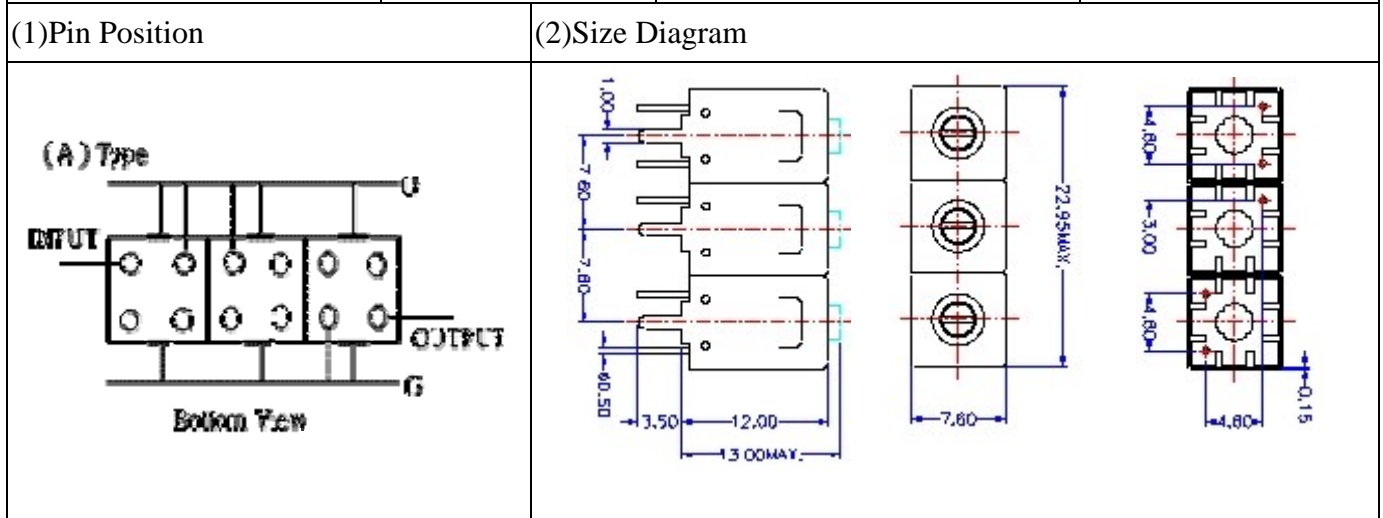


VHF UHF Helical Filter Specification Sheet

Customer Name		Temwell's Part No.	TT67356A-1160M
Approval No. /dated	2008086D	Acceptable Specify Fo. Range	1101~1180MHz
Work Instruction No.	2008086D	Date	Sep.07.2000



(3) Electric Character

Item	Specify	Performance	
Center Freq.(Fo) +/- 0.5 %	1160 MHz	1160 MHz	
Tunable Range	1160±5 MHz	1160±5 MHz	
Insertion Loss	Typ. 2.5 dB	1.5 dB	
-3 dB Bandwidth	Typ. 52 MHz	64 MHz	
Sensitivity (Attenuation)	Fo - 100 MHz	Typ. 33 dBc	36 dBc
	Fo + 100 MHz	Typ. 21 dBc	24 dBc
	Fo - ()MHz	Typ. dBc	dBc
	Fo +()MHz	Typ. dBc	dBc
Return Loss	Min. 12 dB	28.7 dB	
Ripple	< 1 dB	dB	
Impedance	In / Out : 50 Ω	In / Out : 50 Ω	

(4) Torque for Tuning Screw > 100gf · cm

(5) Temperature Condition:

Operating Temperature	0°C ~ +60°C
Storage Temperature	-20°C ~ +70°C

(6) Input Power > 1Watt

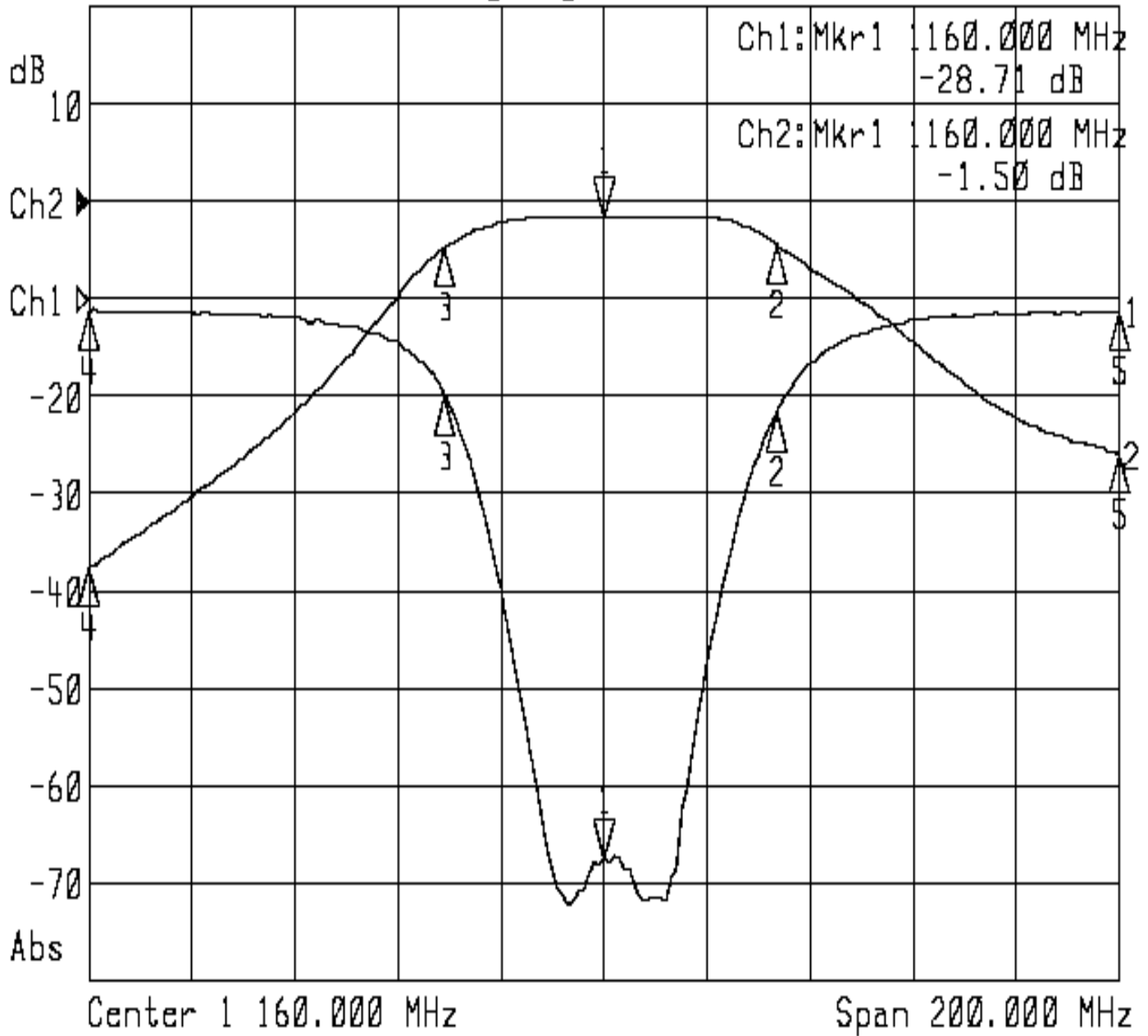
Approval	Supervisor	Designer	Aperture size
C.Y.Chang	C.S.Chang	C.S.Chang	7H3S(4*8.0) 7H046LB5

TEMWELL CORPORATION

Performance-TT67356A-1160M

2008086D

▶1: Reflection Log Mag 5.0 dB/ Ref 0.00 dB C
 ▶2: Transmission Log Mag 10.0 dB/ Ref 0.00 dB C



1: Mkr (MHz)	dB	2: Mkr (MHz)	dB
1> 1160.00	-28.71	1> 1160.00	-1.50
2: 1193.60	-5.73	2: 1193.60	-4.41
3: 1129.24	-4.97	3: 1129.24	-4.57
4: 1060.00	-0.58	4: 1060.00	-37.42
5: 1260.00	-0.59	5: 1260.00	-25.98