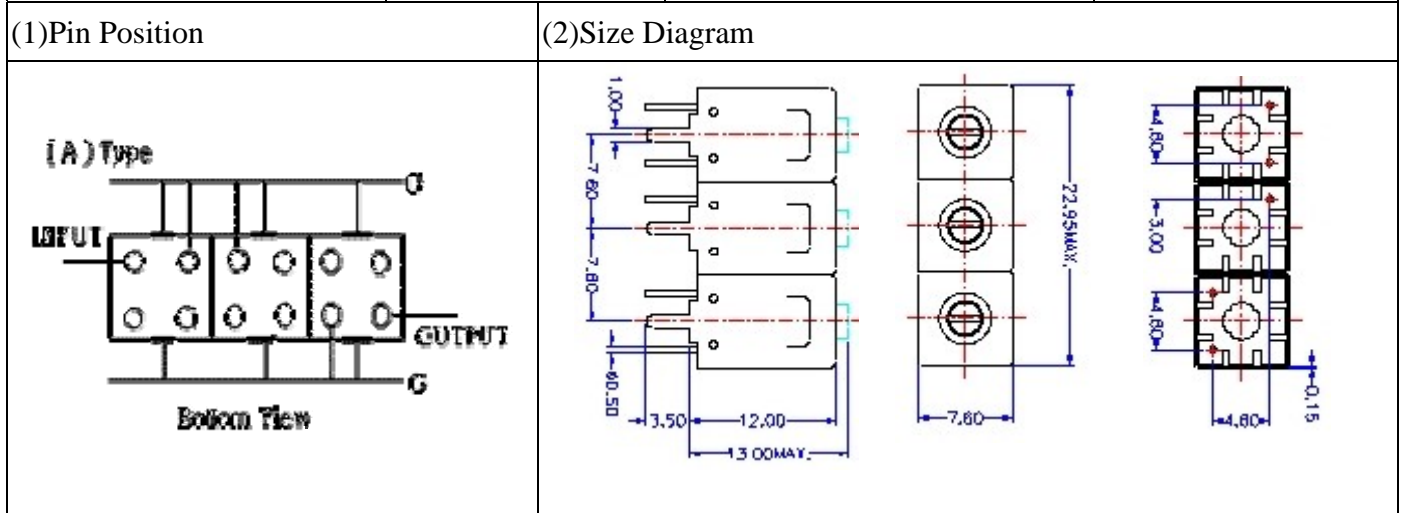


# VHF UHF Helical Filter Specification Sheet

Customer Name		Temwell's Part No.	TT67355A-1165M
Approval No. /dated	2008084D	Acceptable Specify Fo. Range	1101~1180MHz
Work Instruction No.	2008084D	Date	Aug.28.2000



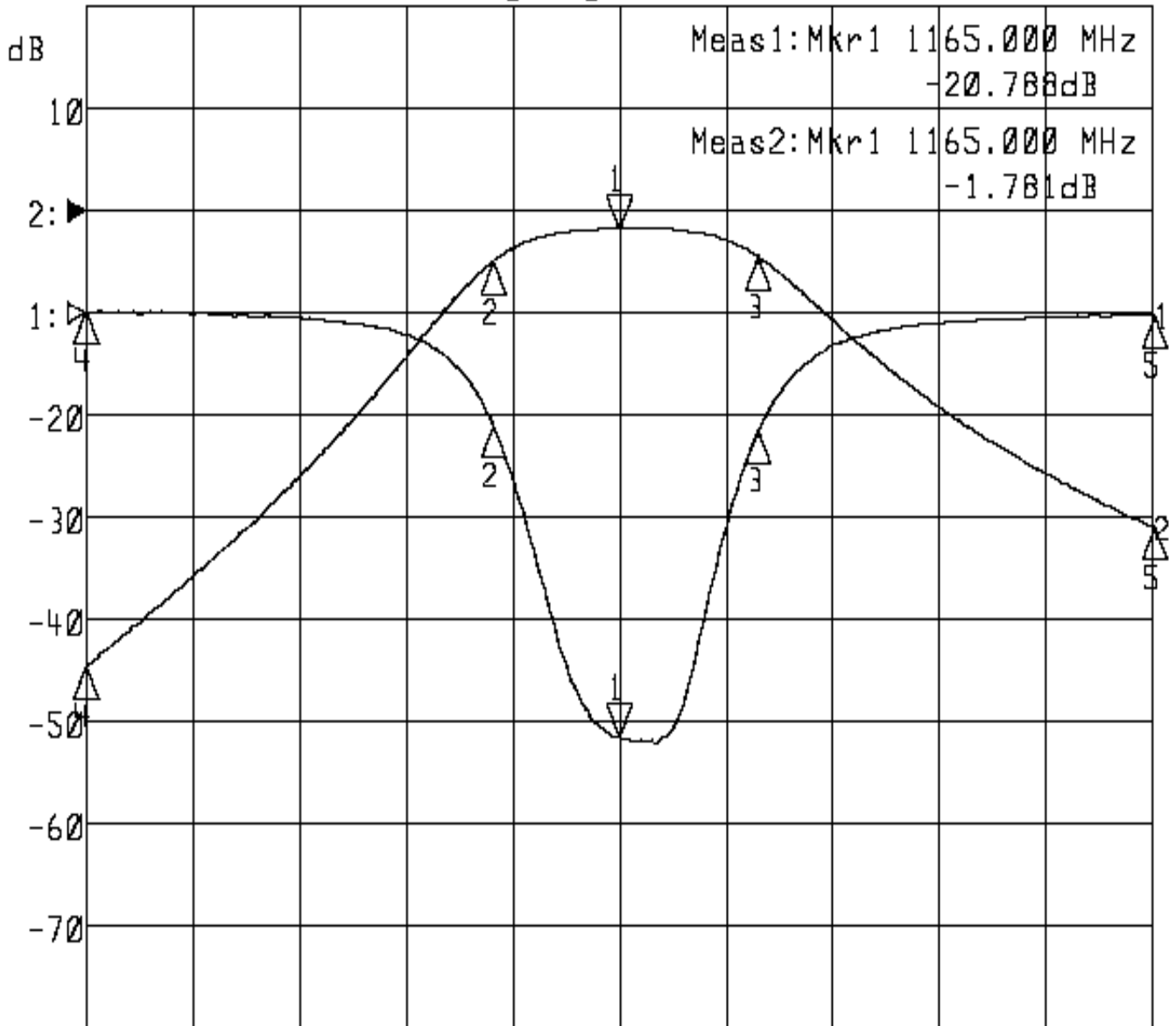
(3) Electric Character			
Item		Specify	Performance
Center Freq.(Fo ) +/- 0.5 %		1165 MHz	1165 MHz
Tunable Range		1165±5 MHz	1165±5 MHz
Insertion Loss		Typ. 3.0 dB	1.8 dB
-3 dB Bandwidth		Typ. 44 MHz	50 MHz
Sensitivity (Attenuation)	Fo - 100 MHz	Typ. 40 dBc	43 dBc
	Fo + 100 MHz	Typ. 26 dBc	29 dBc
	Fo - ( )MHz	Typ. dBc	dBc
	Fo +( )MHz	Typ. dBc	dBc
Return Loss		Min. 12 dB	20.7 dB
Ripple		< 1 dB	dB
Impedance		In / Out : 50 Ω	In / Out : 50 Ω
(4) Torque for Tuning Screw		> 100gf · cm	
(5) Temperature Condition:			
Operating Temperature		0°C ~ +60°C	
Storage Temperature		-20°C ~ +70°C	
(6) Input Power		> 1Watt	
Approval	Supervisor	Designer	Aperture size
C.Y.Chang	C.S.Chang	C.S.Chang	7H3S(4*6.5) 7H046LB4

TEMWELL CORPORATION

# Performance-TT67355A-1165M

## 2008084D

►1:S11 Refl Port1 Log Mag 5.0 dB/ Ref 0.00 dB C  
►2:S21 Fwd Trans Log Mag 10.0 dB/ Ref 0.00 dB C



Center 1 165.000 MHz

Span 200.000 MHz

1:Mkr (MHz)	dB	2:Mkr (MHz)	dB
1> 1165.0000	-20.788	1> 1165.0000	-1.781
2: 1141.3333	-5.446	2: 1141.3333	-4.918
3: 1191.1333	-5.749	3: 1191.1333	-4.497
4: 1065.0000	0.071	4: 1065.0000	-44.542
5: 1265.0000	-0.121	5: 1265.0000	-30.905