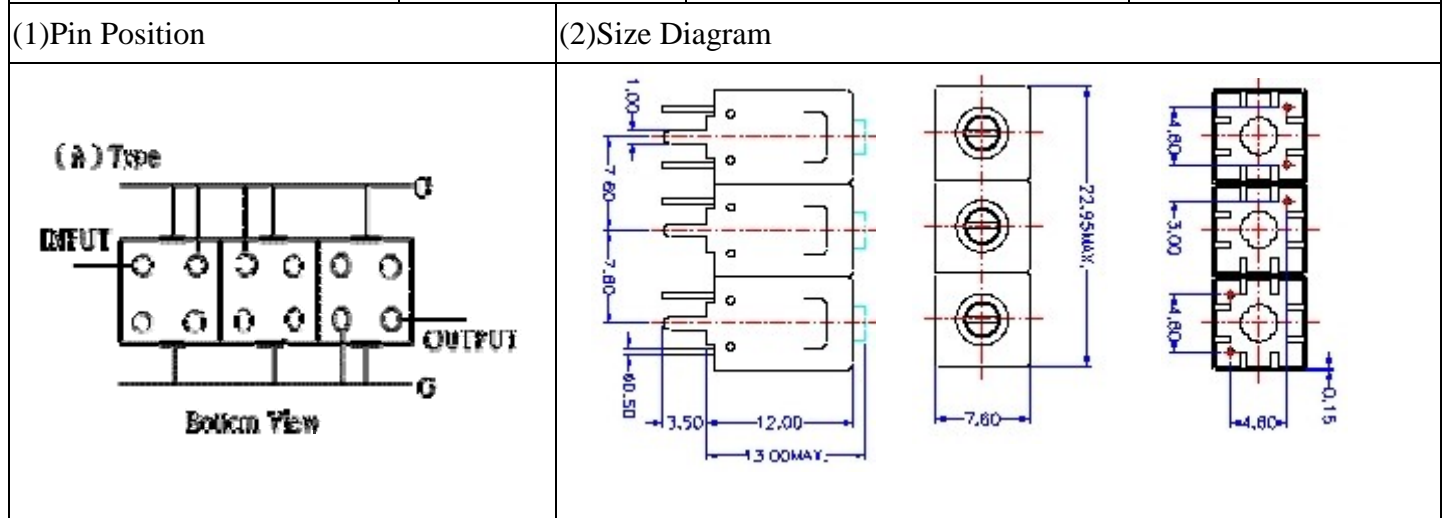


VHF UHF Helical Filter Specification Sheet

Customer Name		Temwell's Part No.	TT67353A-1060M
Approval No. /dated	2008080D	Acceptable Specify Fo. Range	1001~1100MHz
Work Instruction No.	2008080D	Date	Sep.20.2000



(3) Electric Character			
Item	Specify	Performance	
Center Freq.(Fo) +/- 0.5 %	1060 MHz	1060	MHz
Tunable Range	1060±5 MHz	1060±5	MHz
Insertion Loss	Typ. 3.0 dB	2.1	dB
-3 dB Bandwidth	Typ. 79 MHz	90	MHz
Sensitivity (Attenuation)	Fo - 150 MHz	Typ. 43	dBc
	Fo + 150 MHz	Typ. 24	dBc
	Fo - ()MHz	Typ.	dBc
	Fo +()MHz	Typ.	dBc
Return Loss	Min. 12 dB	23.8	dB
Ripple	< 1 dB		dB
Impedance	In / Out : 50 Ω	In / Out : 50 Ω	

(4) Torque for Tuning Screw > 100gf • cm

(5) Temperature Condition:	
Operating Temperature	0°C ~ +60°C
Storage Temperature	-20°C ~ +70°C

(6) Input Power > 1Watt

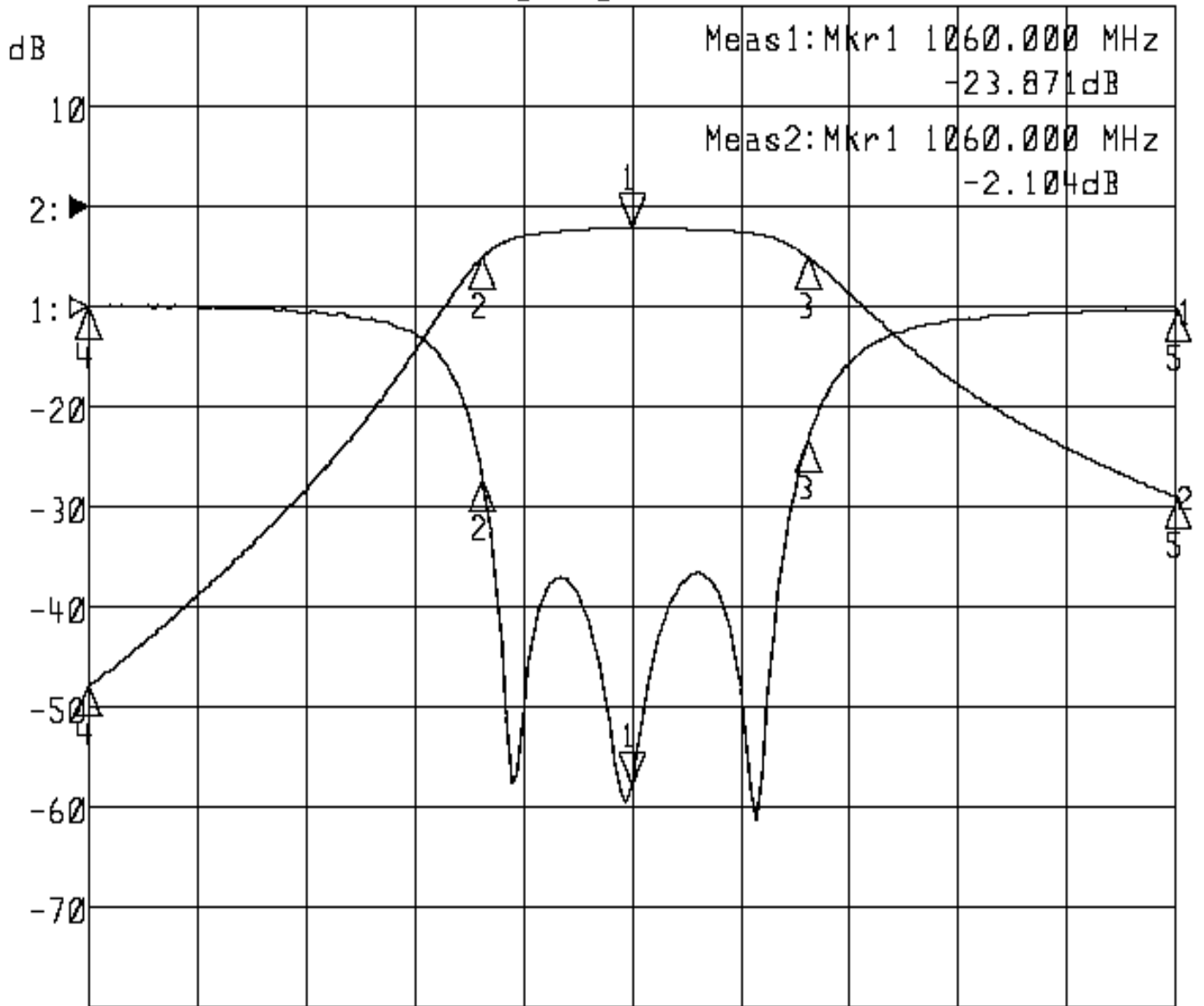
Approval	Supervisor	Designer	Aperture size
C.Y.Chang	C.S.Chang	C.S.Chang	7H3S(4*5.5) 7H046LB6

TEMWELL CORPORATION

Performance-TT67353A-1060M

2008080D

▷1:S11 Refl Port1 Log Mag 5.0 dB/ Ref 0.00 dB C
▶2:S21 Fwd Trans Log Mag 10.0 dB/ Ref 0.00 dB C



Center 1 060.000 MHz

Span 300.000 MHz

1: Mkr (MHz)	dB	2: Mkr (MHz)	dB
1 > 1060.0000	-23.871	1 > 1060.0000	-2.104
2: 1018.9000	-8.613	2: 1018.9000	-5.009
3: 1108.8000	-6.570	3: 1108.8000	-5.118
4: 910.0000	0.042	4: 910.0000	-47.793
5: 1210.0000	-0.165	5: 1210.0000	-28.914