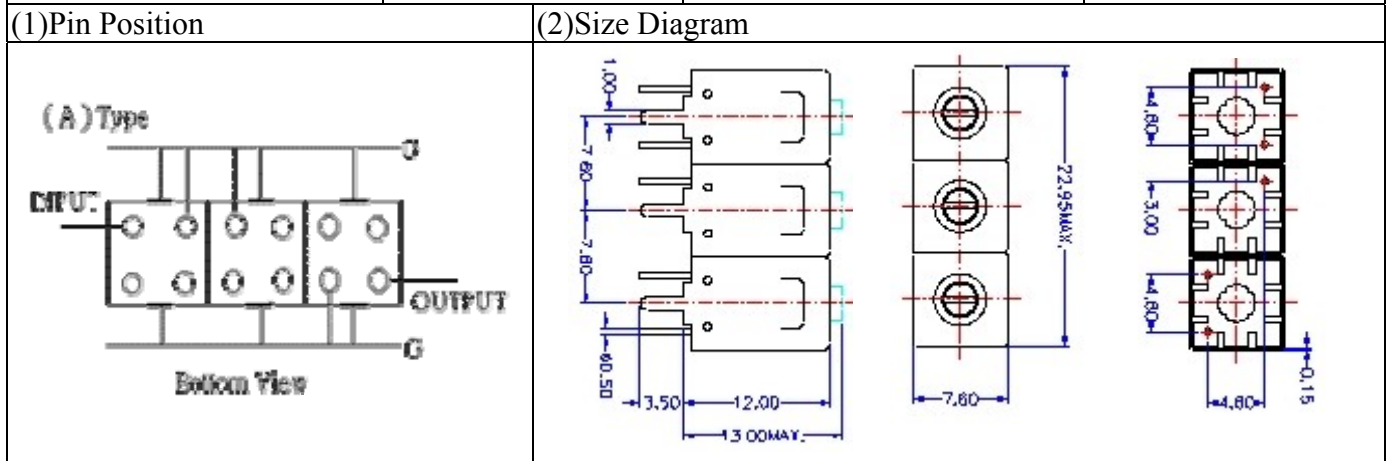


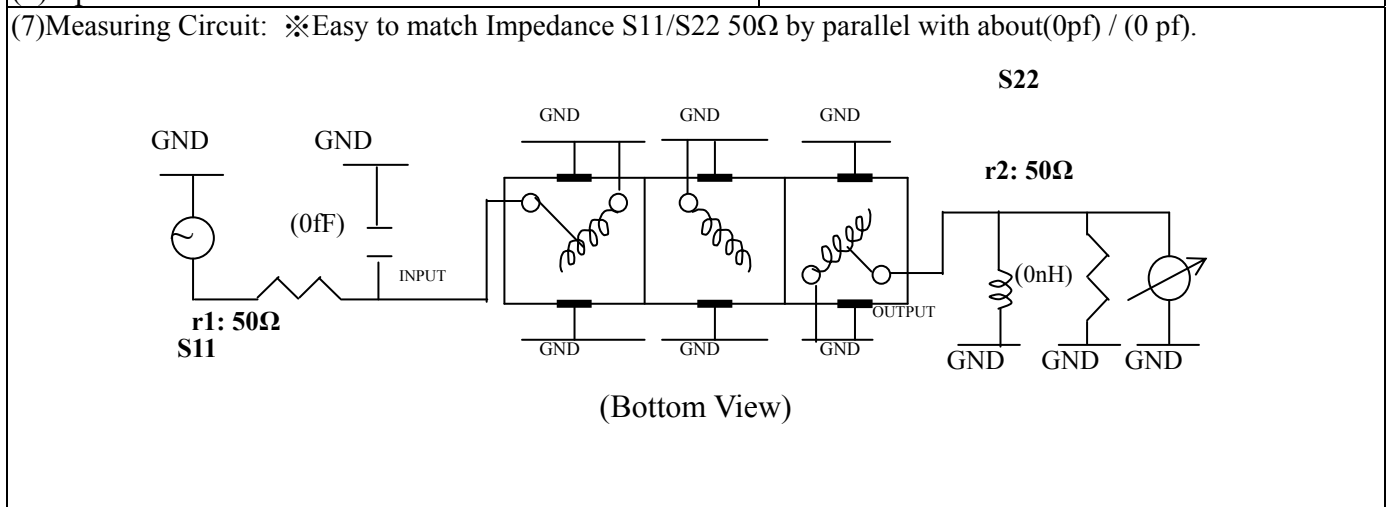
# VHF UHF Helical Filter Specification Sheet

Customer Name		Temwell's Part No.	TT67345A-960M
Approval No. /dated	200902029CD	Temwell's print name.	67345A 960M
Work Instruction No.	200902029CD	Date	Feb.19.2009



Item		Specify	Performance
Center Freq.(Fo) +/- 0.5 %		960 MHz	960 MHz
Tunable Range		960±5 MHz	960±5 MHz
Insertion Loss		Typ. 3.0 dB	2.06 dB
-3 dB Bandwidth		Typ. 55 MHz	63.1 MHz
Sensitivity (Attenuation)	Fo - 100 MHz	Typ. 38 dBc	42 dBc
	Fo + 100 MHz	Typ. 19 dBc	22 dBc
	Fo - ( )MHz	Typ. dBc	dBc
	Fo +( )MHz	Typ. dBc	dBc
Return Loss		Min. 12 dB	38.3 dB
Ripple		< 1 dB	dB
Impedance		In / Out : 50 Ω	In / Out : 50 Ω
(4) Torque for Tuning Screw		> 60gf · cm	

(5) Temperature Condition:	
Operating Temperature	0°C ~ +60°C
Storage Temperature	-20°C ~ +70°C
(6) Input Power	
	> 1Watt



Approval	Supervisor	Designer	Aperture size
C.Y.Chang	C.S.Chang	P.H.Chiang	7H3S(4*7.5)(7.58) 7H046LB5

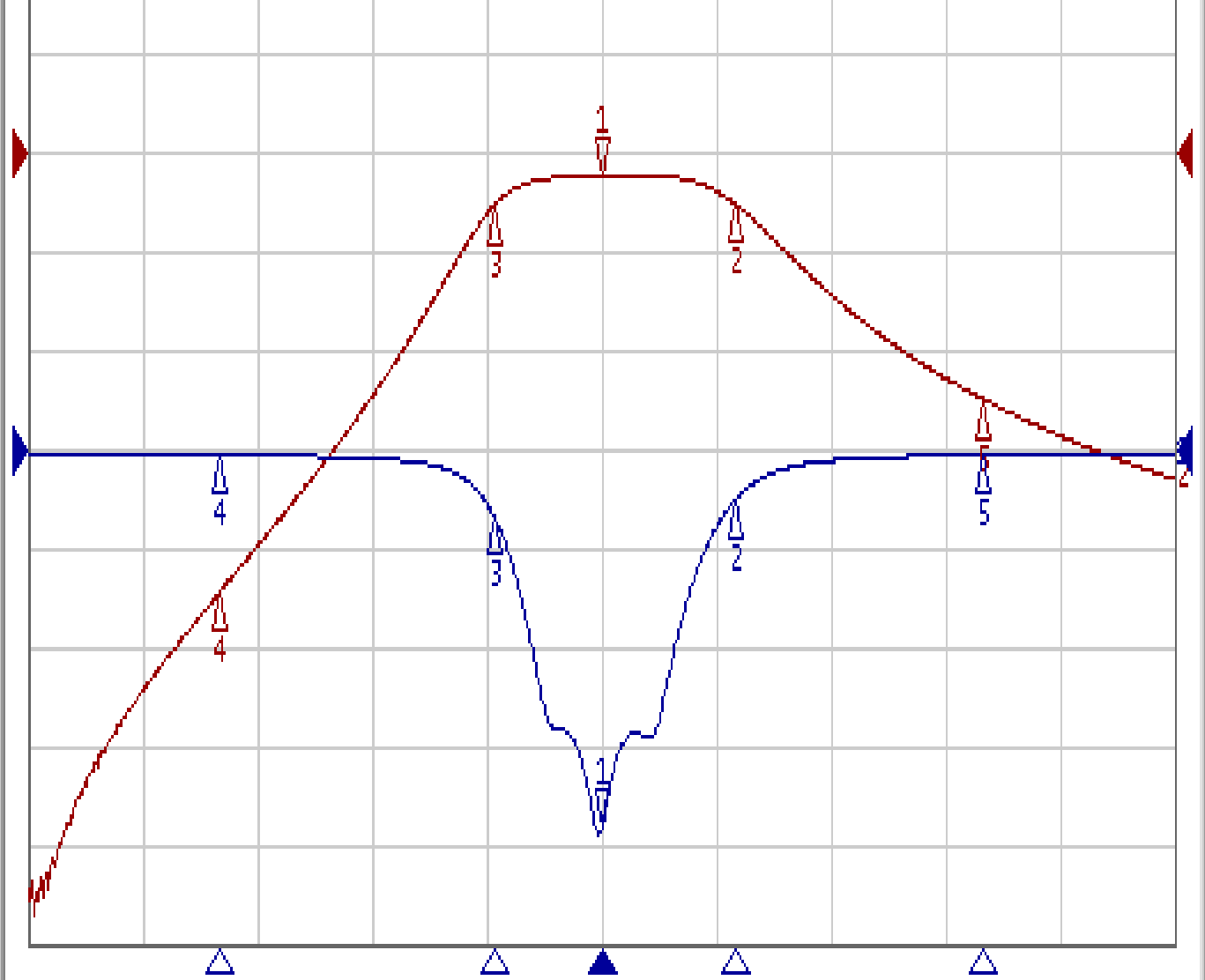
TEMWELL CORPORATION

# Performance-TT67345A-960M

200902029CD

▶ Tr1 S11 Log Mag 10.00dB/ Ref 0.000dB [F2]  
Tr2 S21 Log Mag 10.00dB/ Ref 0.000dB [F2]

>1 960.00000 MHz -38.312 dB



1 Center 960 MHz IFBW 10 kHz Span 300 MHz Cor !

Ch1	Tr1	S11	>1	960.00000	MHz	-38.312	dB
Ch1	Tr1	S11	2	995.03100	MHz	-4.9583	dB
Ch1	Tr1	S11	3	931.95225	MHz	-6.7310	dB
Ch1	Tr1	S11	4	860.00000	MHz	-0.4287	dB
Ch1	Tr1	S11	5	1.0600000	GHz	-0.4219	dB
Ch1	Tr2	S21	1	960.00000	MHz	-2.0622	dB
Ch1	Tr2	S21	2	995.03100	MHz	-5.0452	dB
Ch1	Tr2	S21	3	931.95225	MHz	-5.1157	dB
Ch1	Tr2	S21	4	860.00000	MHz	-44.319	dB
Ch1	Tr2	S21	5	1.0600000	GHz	-24.811	dB