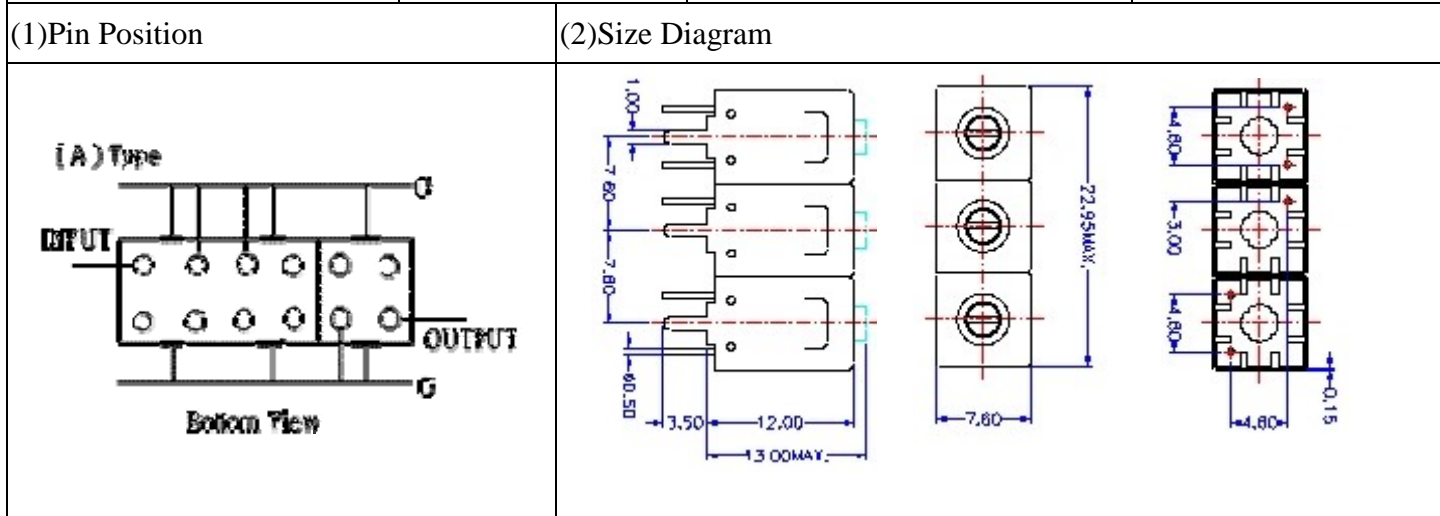


VHF UHF Helical Filter Specification Sheet

Customer Name		Temwell's Part No.	TT67343A-960M
Approval No. /dated	2008060D	Acceptable Specify Fo. Range	951~975MHz
Work Instruction No.	2008060D	Date	Sep.18.2000



(3) Electric Character

Item	Specify	Performance	
Center Freq.(Fo) +/- 0.5 %	960 MHz	960 MHz	
Tunable Range	960±5 MHz	960±5 MHz	
Insertion Loss	Typ. 3.0 dB	1.9 dB	
-3 dB Bandwidth	Typ. 70 MHz	80 MHz	
Sensitivity (Attenuation)	Fo - 100 MHz	Typ. 26 dBc	29 dBc
	Fo + 100 MHz	Typ. 19 dBc	22 dBc
	Fo - ()MHz	Typ. dBc	dBc
	Fo +()MHz	Typ. dBc	dBc
Return Loss	Min. 12 dB	17.7 dB	
Ripple	< 1 dB	dB	
Impedance	In / Out : 50 Ω	In / Out : 50 Ω	
(4) Torque for Tuning Screw	> 100gf · cm		

(5) Temperature Condition:

Operating Temperature	0°C ~ +60°C
Storage Temperature	-20°C ~ +70°C
(6) Input Power	> 1Watt

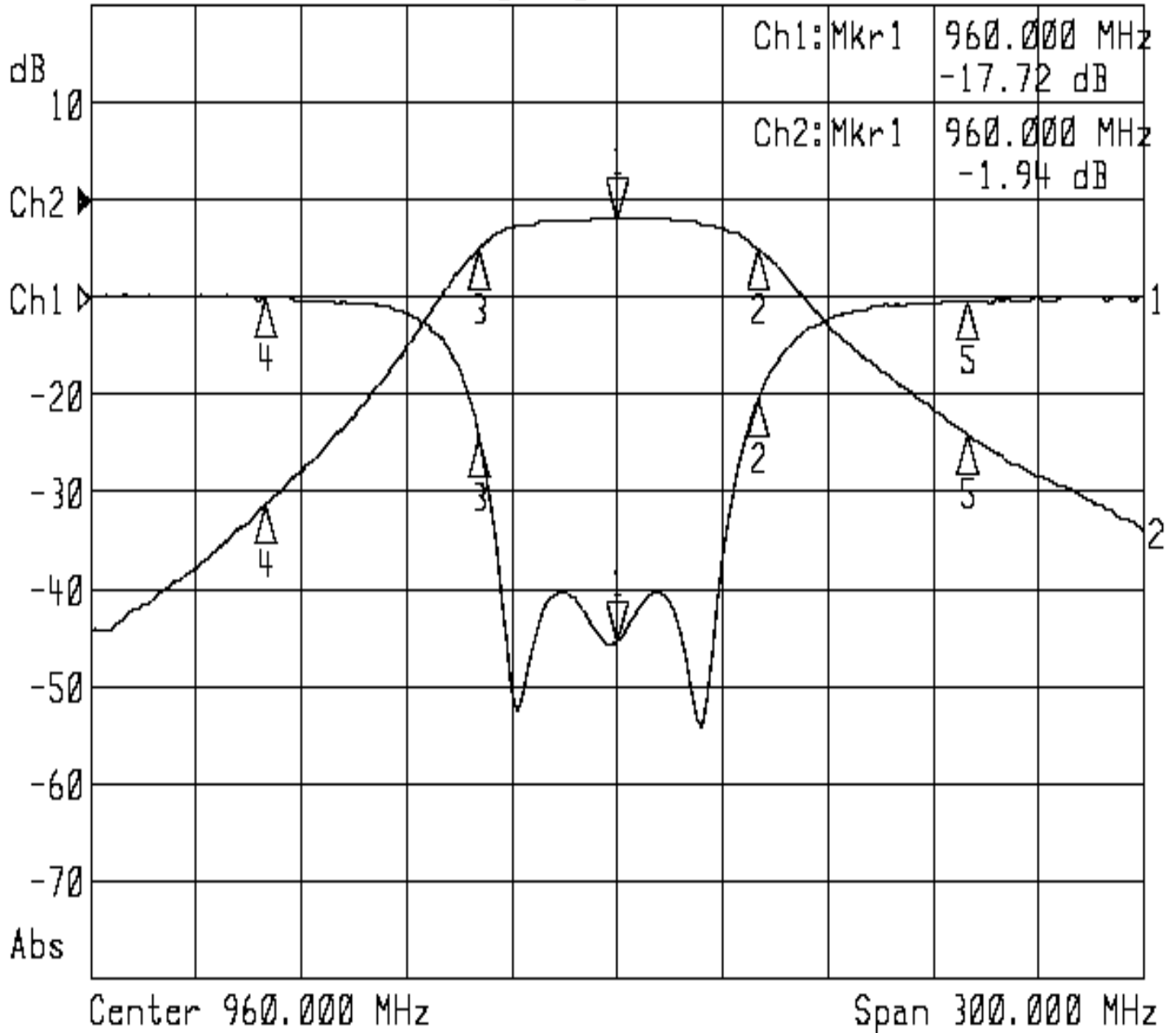
Approval	Supervisor	Designer	Aperture size
C.Y.Chang	C.S.Chang	C.S.Chang	7H3S(4*5.5) 7H046LB6

TEMWELL CORPORATION

Performance-TT67343A-960M

2008060D

►1: Reflection Log Mag 5.0 dB/ Ref 0.00 dB C
►2: Transmission Log Mag 10.0 dB/ Ref 0.00 dB C



1: Mkr (MHz)	dB	2: Mkr (MHz)	dB
1> 960.00	-17.70	1> 960.00	-1.94
2: 1000.23	-5.12	2: 1000.23	-4.96
3: 920.64	-7.13	3: 920.64	-4.86
4: 860.00	0.01	4: 860.00	-31.18
5: 1060.00	-0.14	5: 1060.00	-24.09