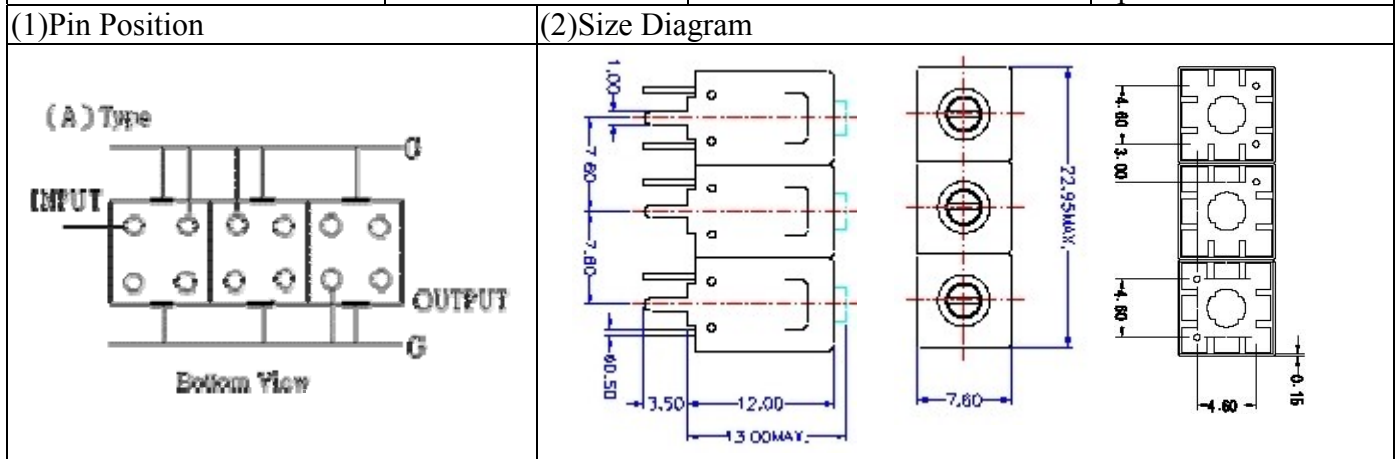


# VHF UHF Helical Filter Specification Sheet

Customer Name		Temwell's Part No.	TT67340A-1030M
Approval No. /dated	0901095CD	Temwell's Print Name.	67340A 1030M
Work Instruction No.	200901095CD	Date	Apr.06.2009



### (3) Electric Characteristic

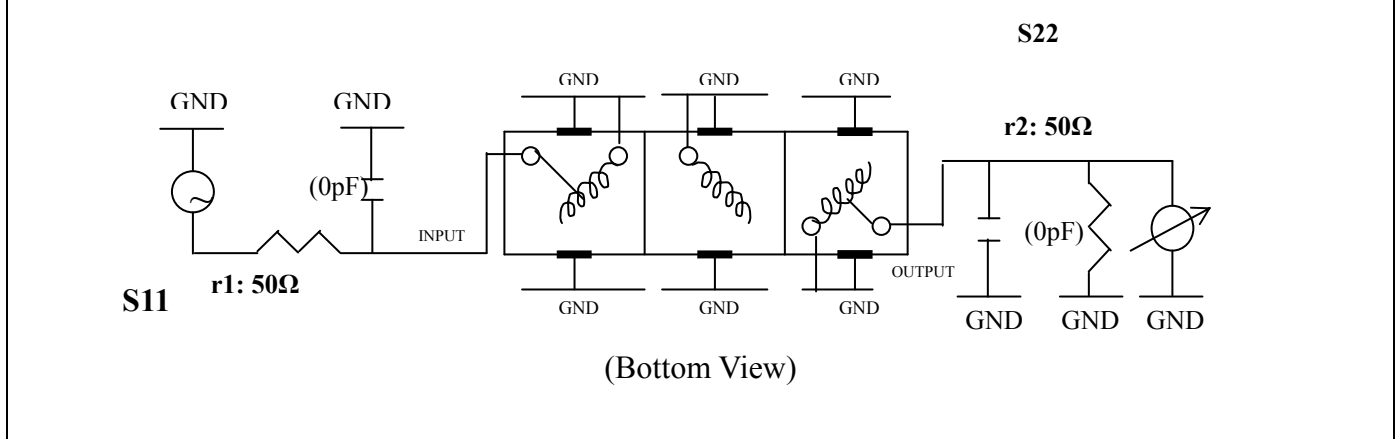
Item	Specify	Performance	
Center Freq.(Fo) +/- 0.5 %	1030 MHz	1030 MHz	
Tunable Range:	1030±5 MHz	1030±5 MHz	
Insertion Loss	Typ. 3.0 dB	1.46 dB	
-3 dB Bandwidth	Typ. 86 MHz	94.1 MHz	
Sensitivity (Attenuation)	Fo - (150) MHz	Typ. 43 dBc	46 dBc
	Fo +(150) MHz	Typ. 21 dBc	24 dBc
	Fo - ( )MHz	Typ. dBc	dBc
	Fo +( )MHz	Typ. dBc	dBc
Return Loss	Min. 12 dB	27.3 dB	
Ripple	< 1 dB	dB	
Impedance	In / Out : 50 Ω	In / Out : 50 Ω	

(4) Torque for Tuning Screw > 60gf · cm

(5) Temperature Condition:

Operating Temperature	0°C ~ +60°C
Storage Temperature	-20°C ~ +70°C

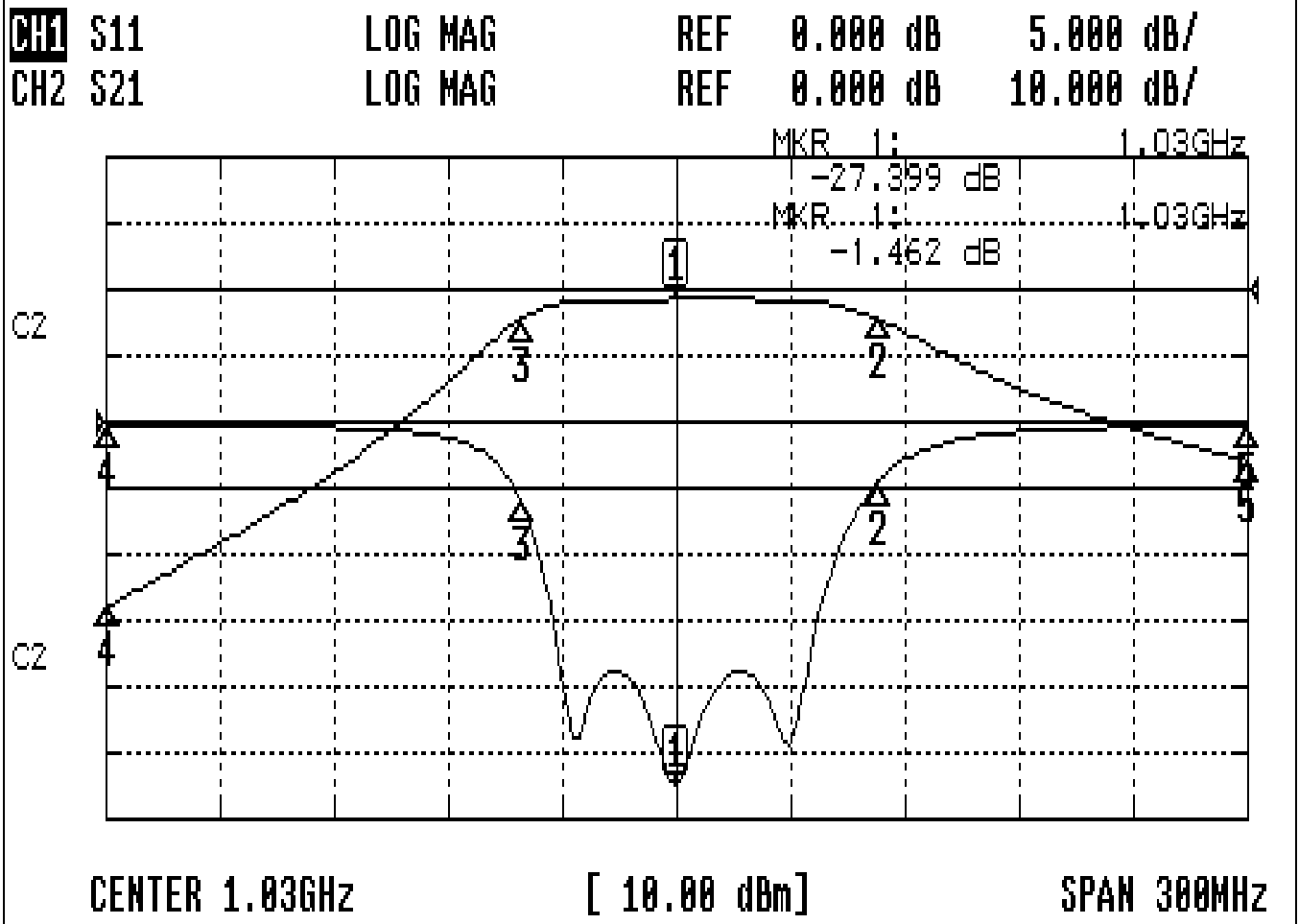
(6) Input Power > 1 Watt



Approval	Supervisor	Designer	Aperture size
C.Y.Chang	C.K.Chang	Y.H.Yeh	7H3S(4*8.0)(8.07) 7H046LB5
TEMWELL CORPORATION			

# Performance-TT67340A-1030M

## 200901095CD



### CH1 MARKER LIST

1	1.030	000GHZ	-27.399	dB
2	1.000	000GHZ	-4.471	dB
3	0.900	000MHZ	-5.760	dB
4	0.800	000MHZ	-0.207	dB
5	1.180	000GHZ	-0.332	dB

### CH2 MARKER LIST

1	1.030	000GHZ	-1.462	dB
2	1.000	000GHZ	-4.485	dB
3	0.900	000MHZ	-4.457	dB
4	0.800	000MHZ	-47.864	dB
5	1.180	000GHZ	-25.689	dB