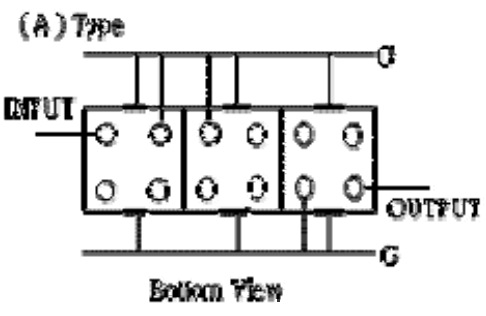
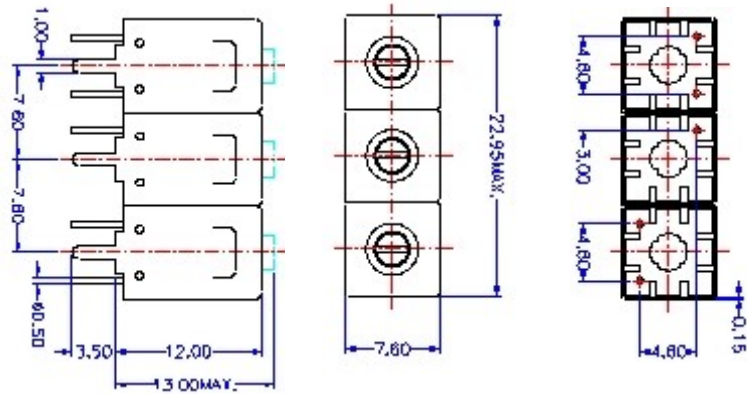


VHF UHF Helical Filter Specification Sheet

Customer Name		Temwell's Part No.	TT67338A-1170M
Approval No. /dated	2008120B	Acceptable Specify Fo. Range	1101~1180MHz
Work Instruction No.	2008120B	Date	Sep.26.2000

(1)Pin Position	(2)Size Diagram
 <p>(A) Type Bottom View</p>	

(3)Electric Character

Item	Specify	Performance	
Center Freq.(Fo) +/- 0.5 %	1170 MHz	1170 MHz	
Tunable Range	1170±5 MHz	1170±5 MHz	
Insertion Loss	Typ. 3.5 dB	2.3 dB	
-3 dB Bandwidth	Typ. 35 MHz	42 MHz	
Sensitivity (Attenuation)	Fo - 100 MHz	Typ. 37 dBc	40 dBc
	Fo + 100 MHz	Typ. 27 dBc	30 dBc
	Fo - ()MHz	Typ. dBc	dBc
	Fo +()MHz	Typ. dBc	dBc
Return Loss	Min. 12 dB	26.5 dB	
Ripple	< 1 dB	dB	
Impedance	In / Out : 50 Ω	In / Out : 50 Ω	

(4)Torque for Tuning Screw > 100gf • cm

(5)Temperature Condition:

Operating Temperature	0°C ~ +60°C
Storage Temperature	-20°C ~ +70°C

(6)Input Power > 1Watt

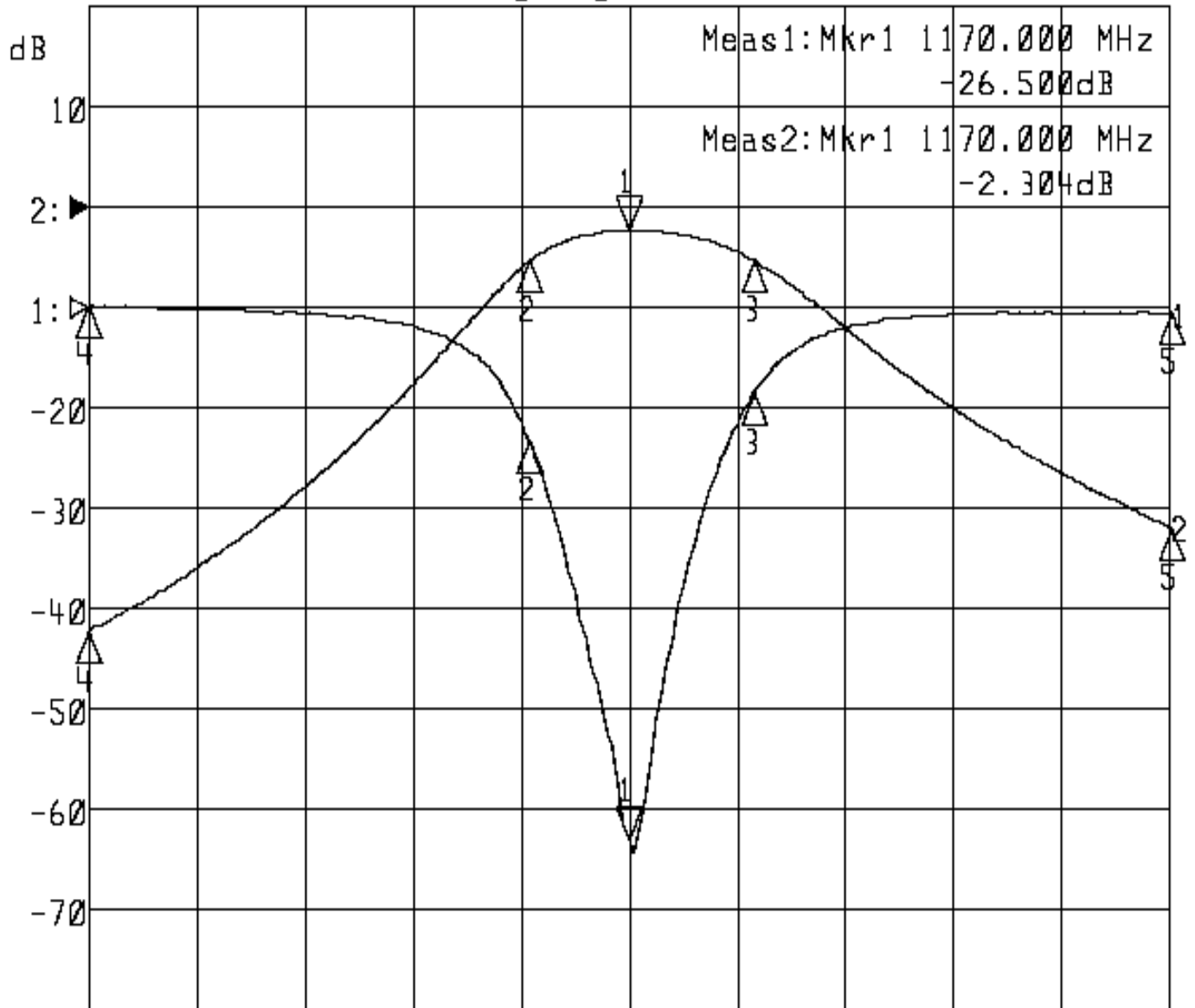
Approval	Supervisor	Designer	Aperture size
C.Y.Chang	C.S.Chang	C.S.Chang	7H3S(4*7.5) 7H046LB4

TEMWELL CORPORATION

Performance-TT67338A-1170M

2008120B

▶1:S11 Refl Port1 Log Mag 5.0 dB/ Ref 0.00 dB C
▶2:S21 Fwd Trans Log Mag 10.0 dB/ Ref 0.00 dB C



Center 1 170.000 MHz

Span 200.000 MHz

1:Mkr (MHz)	dB	2:Mkr (MHz)	dB
1> 1170.0000	-26.500	1> 1170.0000	-2.304
2: 1151.5333	-6.639	2: 1151.5333	-5.368
3: 1193.0667	-4.219	3: 1193.0667	-5.249
4: 1070.0000	0.086	4: 1070.0000	-42.189
5: 1270.0000	-0.285	5: 1270.0000	-31.889