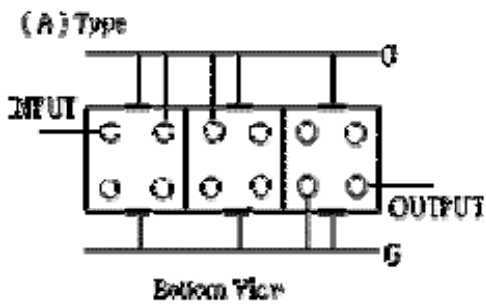
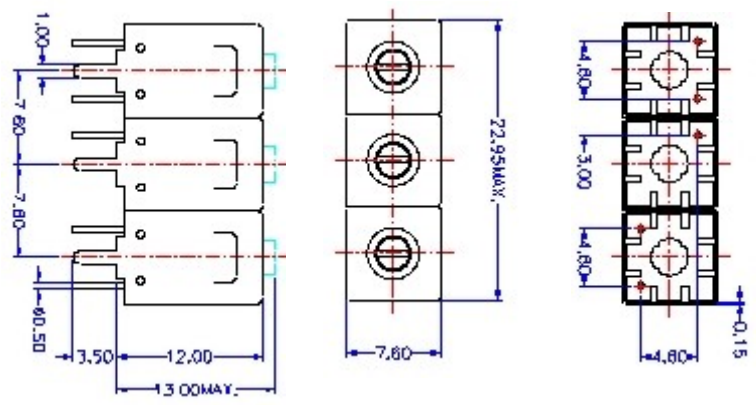


VHF UHF Helical Filter Specification Sheet

Customer Name		Temwell's Part No.	TT67336A-1030M
Approval No. /dated	2007010D	Acceptable Specify Fo. Range	1001~1100MHz
Work Instruction No.	2007010D	Date	Jul.24.2000

(1)Pin Position	(2)Size Diagram
 <p>(A) Type</p> <p>Bottom View</p>	

(3)Electric Character

Item		Specify	Performance
Center Freq.(Fo) +/- 0.5 %		1030 MHz	1030 MHz
Tunable Range		1030±5 MHz	1030±5 MHz
Insertion Loss		Typ. 4.0 dB	3.1 dB
-3 dB Bandwidth		Typ. 49 MHz	59 MHz
Sensitivity (Attenuation)	Fo - 100 MHz	Typ. 34 dBc	37 dBc
	Fo + 100 MHz	Typ. 21 dBc	24 dBc
	Fo - ()MHz	Typ. dBc	dBc
	Fo +()MHz	Typ. dBc	dBc
Return Loss		Min. 12 dB	37.7 dB
Ripple		< 1 dB	dB
Impedance		In / Out : 50 Ω	In / Out : 50 Ω

(4)Torque for Tuning Screw > 100gf • cm

(5)Temperature Condition:

Operating Temperature	0°C ~ +60°C
Storage Temperature	-20°C ~ +70°C

(6)Input Power > 1Watt

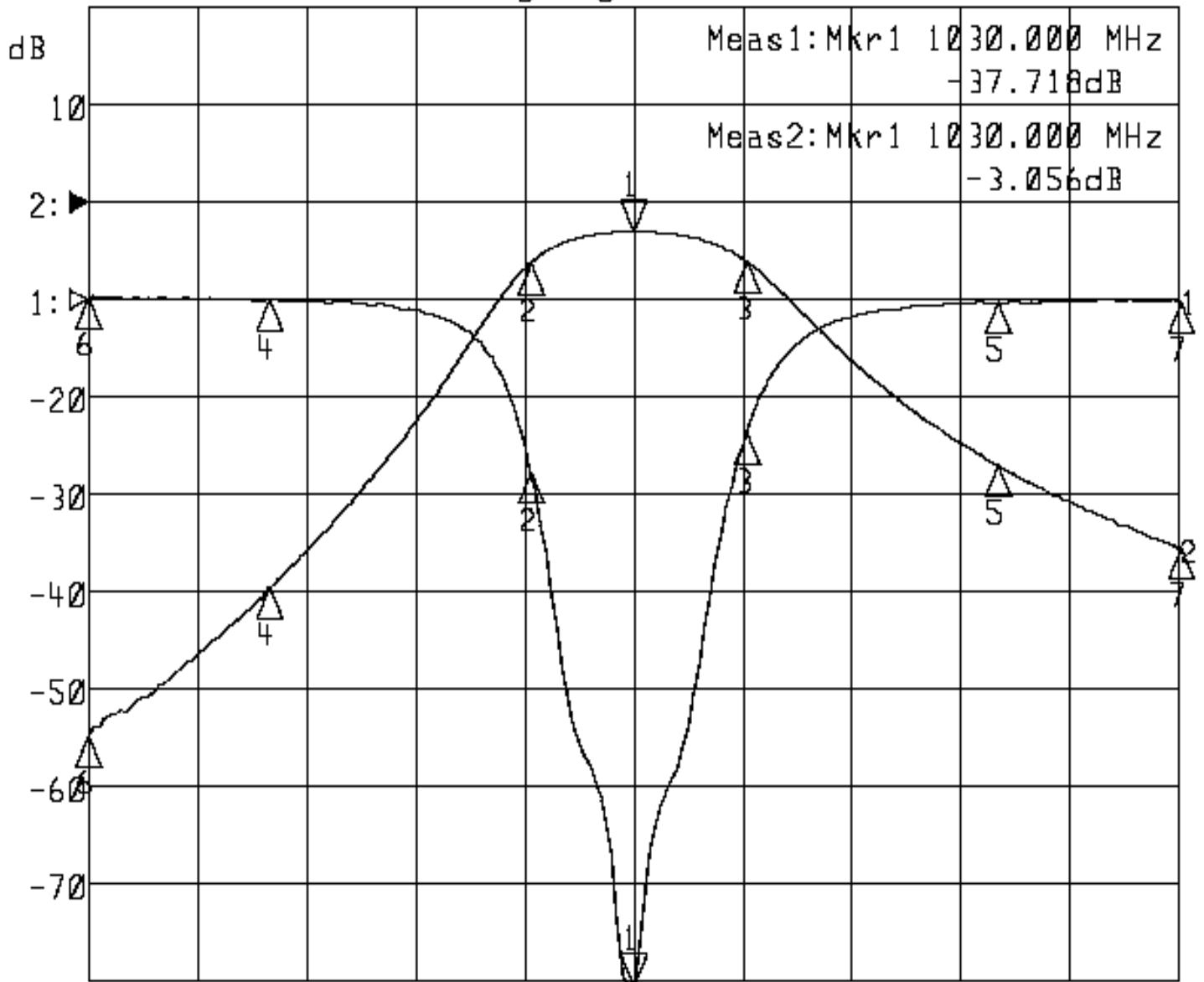
Approval	Supervisor	Designer	Aperture size
C.Y.Chang	C.S.Chang	C.S.Chang	7H3S(4*5.5) 7H046LB4 聚 3

TEMWELL CORPORATION

Performance-TT67336A-1030M

2007010D

►1:S11 Refl Port1 Log Mag 5.0 dB/ Ref 0.00 dB C
►2:S21 Fwd Trans Log Mag 10.0 dB/ Ref 0.00 dB C



Center 1 030.000 MHz

Span 300.000 MHz

1:Mkr (MHz)	dB	2:Mkr (MHz)	dB
1> 1030.0000	-37.718	1> 1030.0000	-3.056
2: 1001.8000	-8.833	2: 1001.8000	-6.188
3: 1061.0000	-6.869	3: 1061.0000	-6.049
4: 930.0000	0.009	4: 930.0000	-39.561
5: 1130.0000	-0.160	5: 1130.0000	-26.978
6: 880.0000	0.071	6: 880.0000	-54.710
7: 1180.0000	-0.096	7: 1180.0000	-35.563