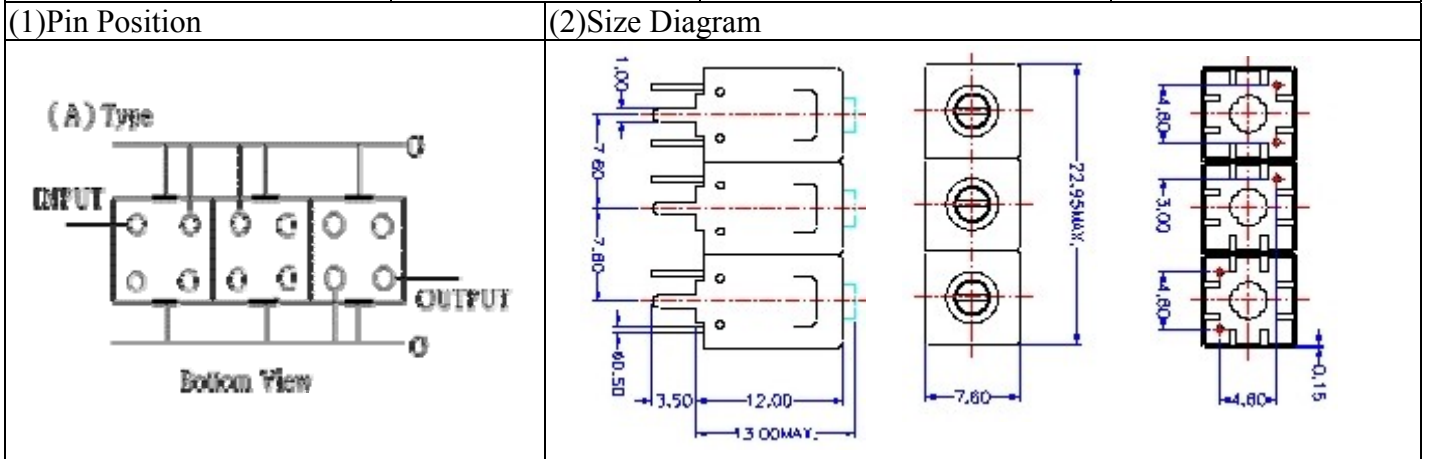


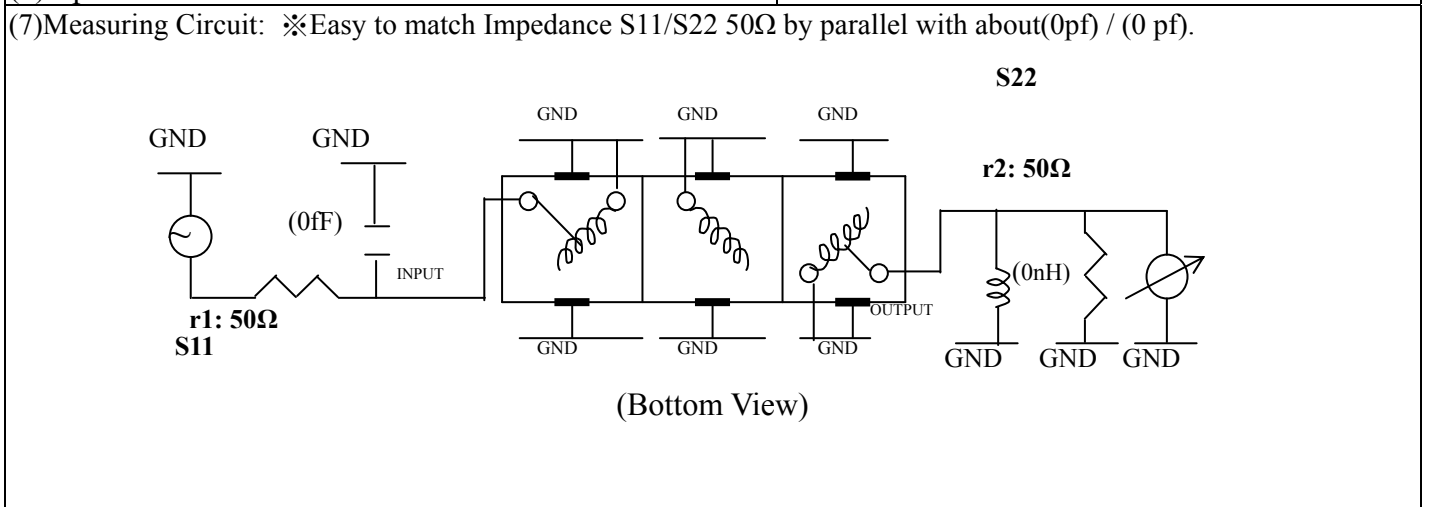
VHF UHF Helical Filter Specification Sheet

Customer Name		Temwell's Part No.	TT67335A-940M
Approval No. /dated	200902026CD	Temwell's print name.	67335A 940M
Work Instruction No.	200902026CD	Date	Feb.18.2009



(3) Electric Characteristic			
Item		Specify	Performance
Center Freq.(Fo) +/- 0.5 %		940 MHz	940 MHz
Tunable Range		940±5 MHz	940±5 MHz
Insertion Loss		Typ. 3.0 dB	1.94 dB
-3 dB Bandwidth		Typ. 60 MHz	64.3 MHz
Sensitivity (Attenuation)	Fo - 100 MHz	Typ. 35 dBc	38 dBc
	Fo + 100 MHz	Typ. 20 dBc	24 dBc
	Fo - ()MHz	Typ. dBc	dBc
	Fo +()MHz	Typ. dBc	dBc
Return Loss		Min. 12 dB	39.3 dB
Ripple		< 1 dB	dB
Impedance		In / Out : 50 Ω	In / Out : 50 Ω
(4) Torque for Tuning Screw		> 60gf · cm	

(5) Temperature Condition:	
Operating Temperature	0°C ~ +60°C
Storage Temperature	-20°C ~ +70°C
(6) Input Power	> 1 Watt



Approval C.Y.Chang	Supervisor C.S.Chang	Designer P.H.Chiang	Aperture size 7H3S(4*6.5)(6.58) 7H046LB5
-----------------------	-------------------------	------------------------	------------------------------------------------

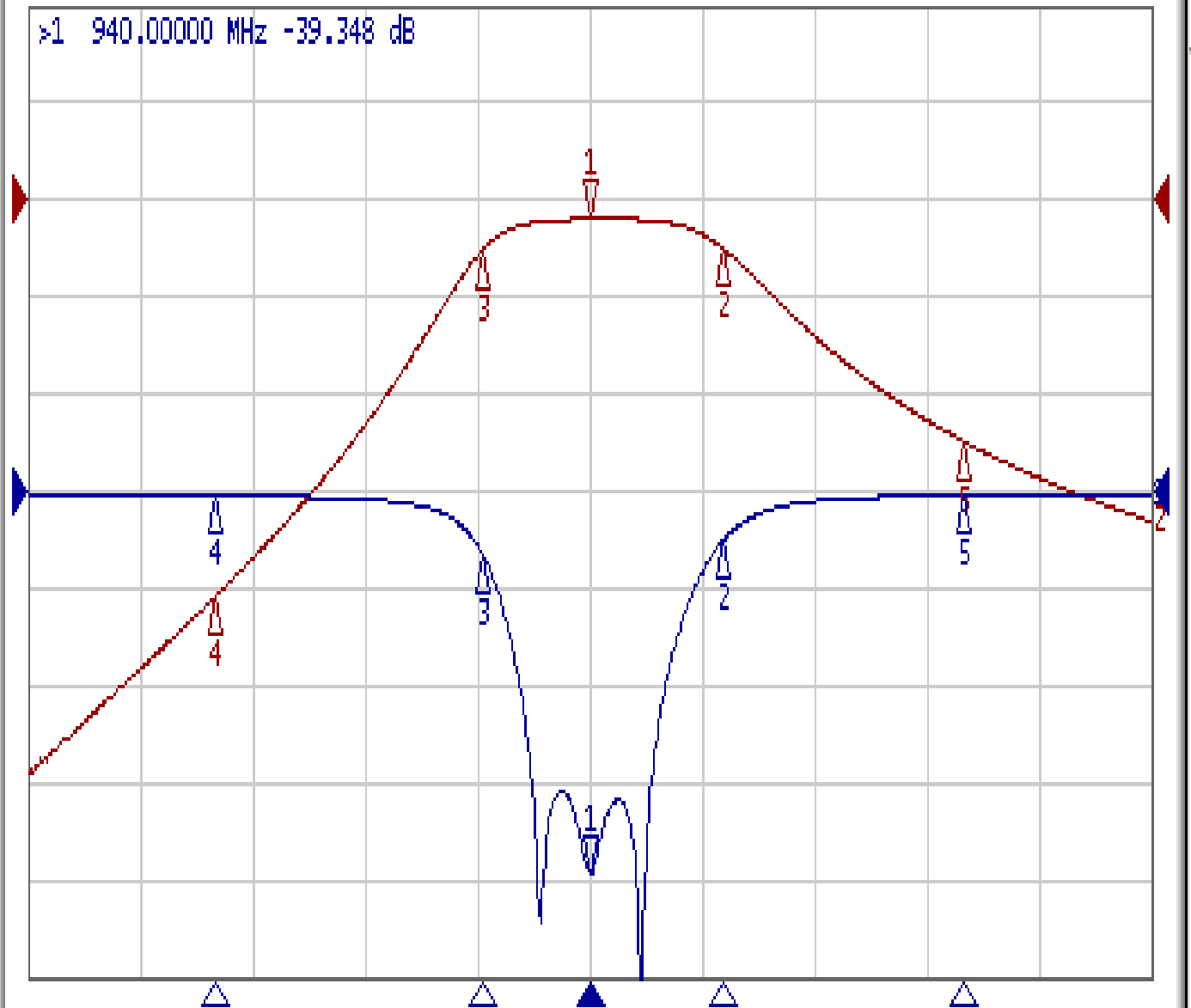
TEMWELL CORPORATION

Performance-TT67335A-940M

200902026CD

Tr1 S11 Log Mag 10.00dB/ Ref 0.000dB [F2]
Tr2 S21 Log Mag 10.00dB/ Ref 0.000dB [F2]

>1 940.00000 MHz -39.348 dB



1 Center 940 MHz

IFBW 10 kHz

Span 300 MHz

Cor !

Ch1	Tr1	S11	>1	940.00000	MHz	-39.348	dB
Ch1	Tr1	S11	2	975.63175	MHz	-5.0221	dB
Ch1	Tr1	S11	3	911.35150	MHz	-6.4631	dB
Ch1	Tr1	S11	4	840.00000	MHz	-0.4346	dB
Ch1	Tr1	S11	5	1.0400000	GHz	-0.4229	dB
Ch1	Tr2	S21	1	940.00000	MHz	-1.9477	dB
Ch1	Tr2	S21	2	975.63175	MHz	-4.9981	dB
Ch1	Tr2	S21	3	911.35150	MHz	-5.0980	dB
Ch1	Tr2	S21	4	840.00000	MHz	-40.866	dB
Ch1	Tr2	S21	5	1.0400000	GHz	-24.871	dB