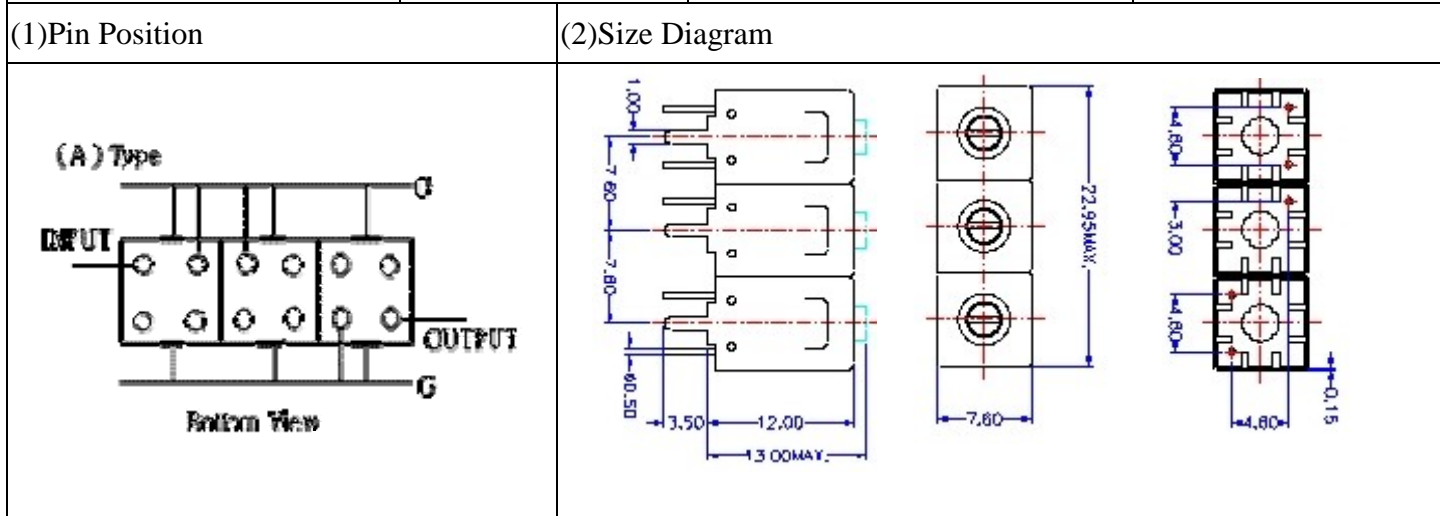


VHF UHF Helical Filter Specification Sheet

Customer Name		Temwell's Part No.	TT67334A-1025M
Approval No. /dated	P0005045B	Acceptable Specify Fo. Range	1001~1100MHz
Work Instruction No.	P0005045B	Date	May.16.2000



(3) Electric Character

Item	Specify	Performance	
Center Freq.(Fo) +/- 0.5 %	1025 MHz	1025 MHz	
Tunable Range	1025±10 MHz	1025±10 MHz	
Insertion Loss	Typ. 4.0 dB	3.0 dB	
-3 dB Bandwidth	Typ. 20 MHz	25 MHz	
Sensitivity (Attenuation)	Fo - 50 MHz	Typ. 33 dBc	36 dBc
	Fo + 50 MHz	Typ. 25 dBc	28 dBc
	Fo - ()MHz	Typ. dBc	dBc
	Fo +()MHz	Typ. dBc	dBc
Return Loss	Min. 12 dB	30.6 dB	
Ripple	< 1 dB	dB	
Impedance	In / Out : 50 Ω	In / Out : 50 Ω	

(4) Torque for Tuning Screw > 100gf · cm

(5) Temperature Condition:

Operating Temperature	0°C ~ +60°C
Storage Temperature	-20°C ~ +70°C

(6) Input Power > 1Watt

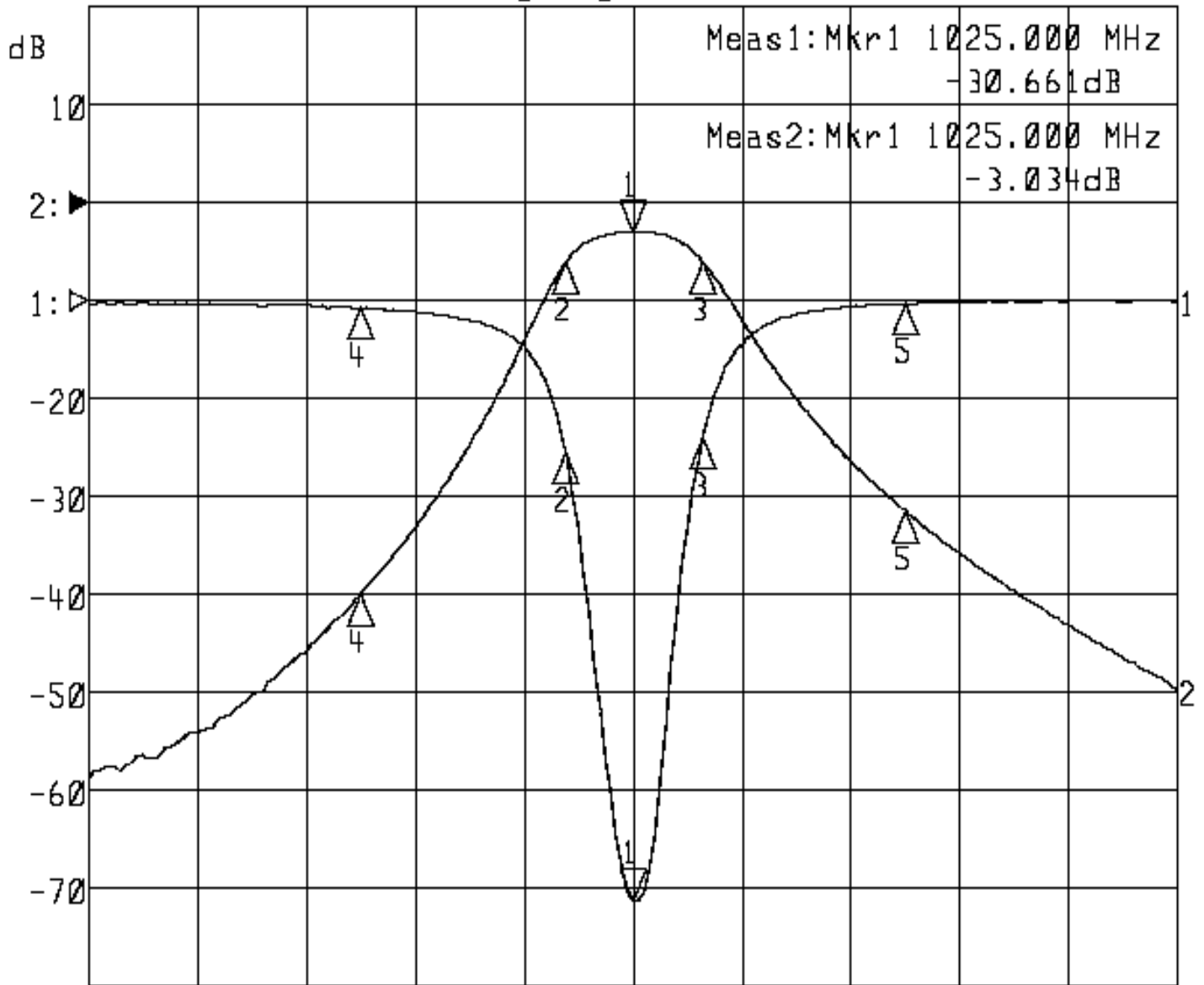
Approval	Supervisor	Designer	Aperture size
C.Y.Chang	C.S.Chang	C.S.Chang	7H3S(4*5.5)F 7H046LB4 聚 3

TEMWELL CORPORATION

Performance-TT67334A-1025M

P0005045B

▶1:S11 Refl Port1 Log Mag 5.0 dB/ Ref 0.00 dB C
▶2:S21 Fwd Trans Log Mag 10.0 dB/ Ref 0.00 dB C



Center 1 025.000 MHz

Span 200.000 MHz

1:Mkr (MHz)	dB	2:Mkr (MHz)	dB
1> 1025.0000	-30.661	1> 1025.0000	-3.034
2: 1012.7333	-7.800	2: 1012.7333	-6.038
3: 1037.8667	-6.960	3: 1037.8667	-6.017
4: 975.0000	-0.413	4: 975.0000	-39.994
5: 1075.0000	-0.152	5: 1075.0000	-31.433