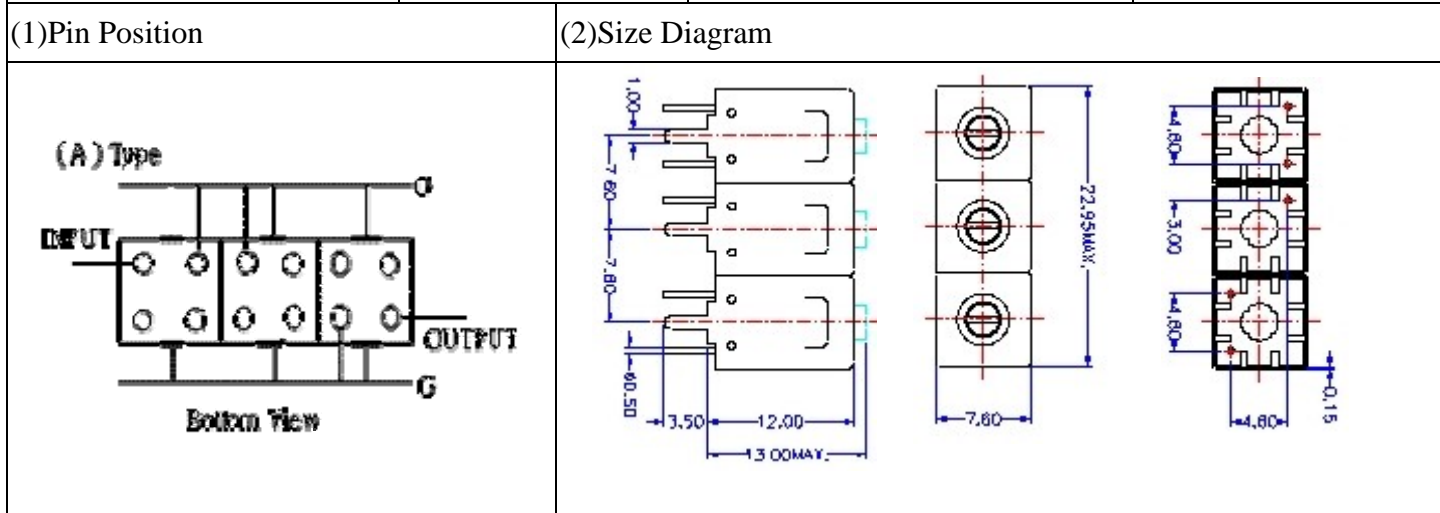


VHF UHF Helical Filter Specification Sheet

Customer Name		Temwell's Part No.	TT67332A-1025M
Approval No. /dated	P0005044B	Acceptable Specify Fo. Range	1001~1100MHz
Work Instruction No.	P0005044B	Date	May.16.2000



(3)Electric Character

Item	Specify	Performance	
Center Freq.(Fo) +/- 0.5 %	1025 MHz	1025 MHz	
Tunable Range	1025±10 MHz	1025±10 MHz	
Insertion Loss	Typ. 4.5 dB	3.34 dB	
-3 dB Bandwidth	Typ. 15 MHz	23.3 MHz	
Sensitivity (Attenuation)	Fo - 50 MHz	Typ. 36 dBc	39 dBc
	Fo + 50 MHz	Typ. 26 dBc	29 dBc
	Fo - ()MHz	Typ. dBc	dBc
	Fo +()MHz	Typ. dBc	dBc
Return Loss	Min. 12 dB	23.2 dB	
Ripple	< 1 dB	dB	
Impedance	In / Out : 50 Ω	In / Out : 50 Ω	
(4)Torque for Tuning Screw	> 100gf • cm		

(5)Temperature Condition:

Operating Temperature	0°C ~ +60°C
Storage Temperature	-20°C ~ +70°C

(6)Input Power

	> 1Watt
--	---------

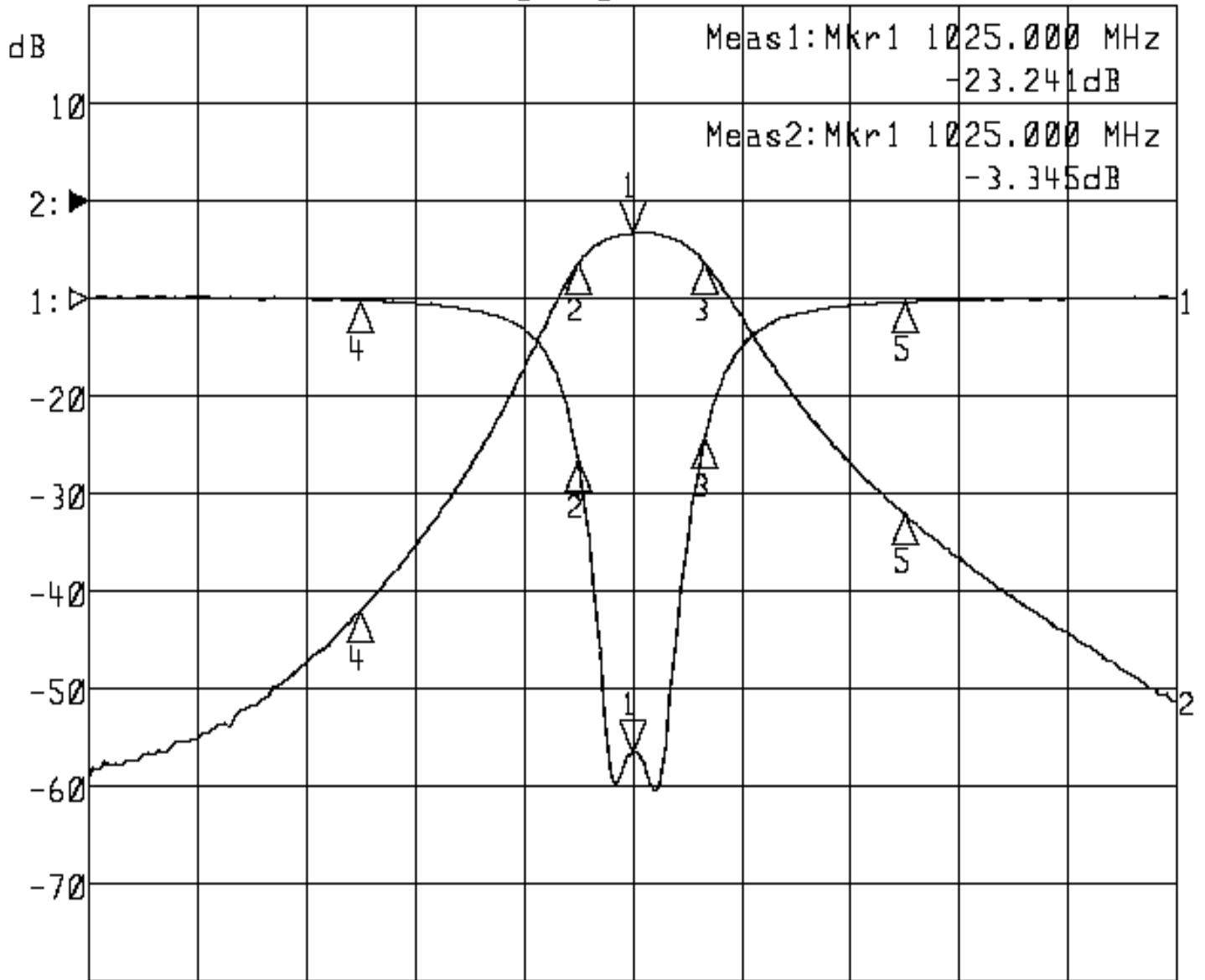
Approval	Supervisor	Designer	Aperture size
C.Y.Chang	C.S.Chang	C.S.Chang	7H3S(4*4.65)F 7H046LB4 聚 3

TEMWELL CORPORATION

Performance-TT67332A-1025M

P0005044B

►1:S11 Refl Port1 Log Mag 5.0 dB/ Ref 0.00 dB C
►2:S21 Fwd Trans Log Mag 10.0 dB/ Ref 0.00 dB C



Center 1 025.000 MHz

Span 200.000 MHz

1: Mkr (MHz)	dB	2: Mkr (MHz)	dB
1 > 1025.0000	-23.241	1 > 1025.0000	-3.345
2: 1015.0667	-8.290	2: 1015.0667	-6.352
3: 1038.3333	-7.122	3: 1038.3333	-6.350
4: 975.0000	-0.104	4: 975.0000	-42.066
5: 1075.0000	-0.157	5: 1075.0000	-32.082