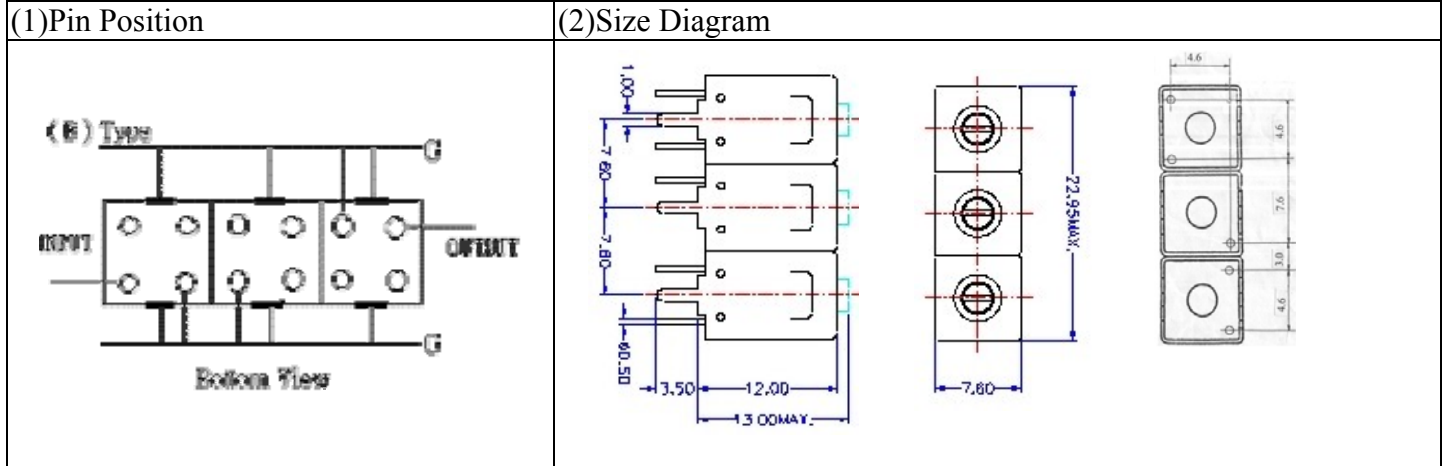


# VHF UHF Helical Filter Specification Sheet

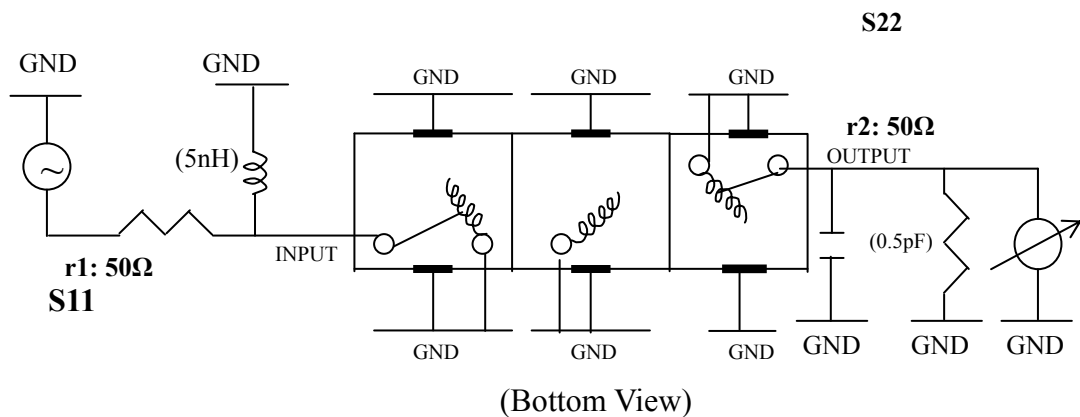
Customer Name		Temwell's Part No.	TT67316B-247.5M
Approval No. /dated	20506048APR	Acceptable Specify Fo Range	246~275MHz
Work Instruction No.	20506048B	Date	Jun.28.2005



(3) Electric Characteristic			
Item	Specify	Performance	
Center Freq.(Fo ) +/- 0.75 %	247.5 MHz	247.5	MHz
Tunable Range	247.5±4 MHz	247.5±4	MHz
Insertion Loss	Typ. 5.5 dB	4.52	dB
-3 dB Bandwidth	Typ. 3 MHz	5.5	MHz
Sensitivity (Attenuation )	Fo - 10 MHz	Typ. 20	dBc
	Fo + 10 MHz	Typ. 20	dBc
	Fo - ( )MHz	Typ.	dBc
	Fo +( )MHz	Typ.	dBc
Return Loss	Min. 12 dB	18	dB
Ripple	< 1 dB		dB
Impedance	In / Out : 50 Ω	In / Out : 50 Ω	

(4) Torque for Tuning Screw	> 100gf · cm
(5) Temperature Condition:	
Operating Temperature	-30°C ~ +70°C
Storage Temperature	-30°C ~ +80°C
(6) Input Power	> 1Watt

(7) Measuring Circuit: ※Easy to match Impedance S11/S22 50Ω/by parallel with about ( 0 ~5nH ) / ( 0.5pF ).

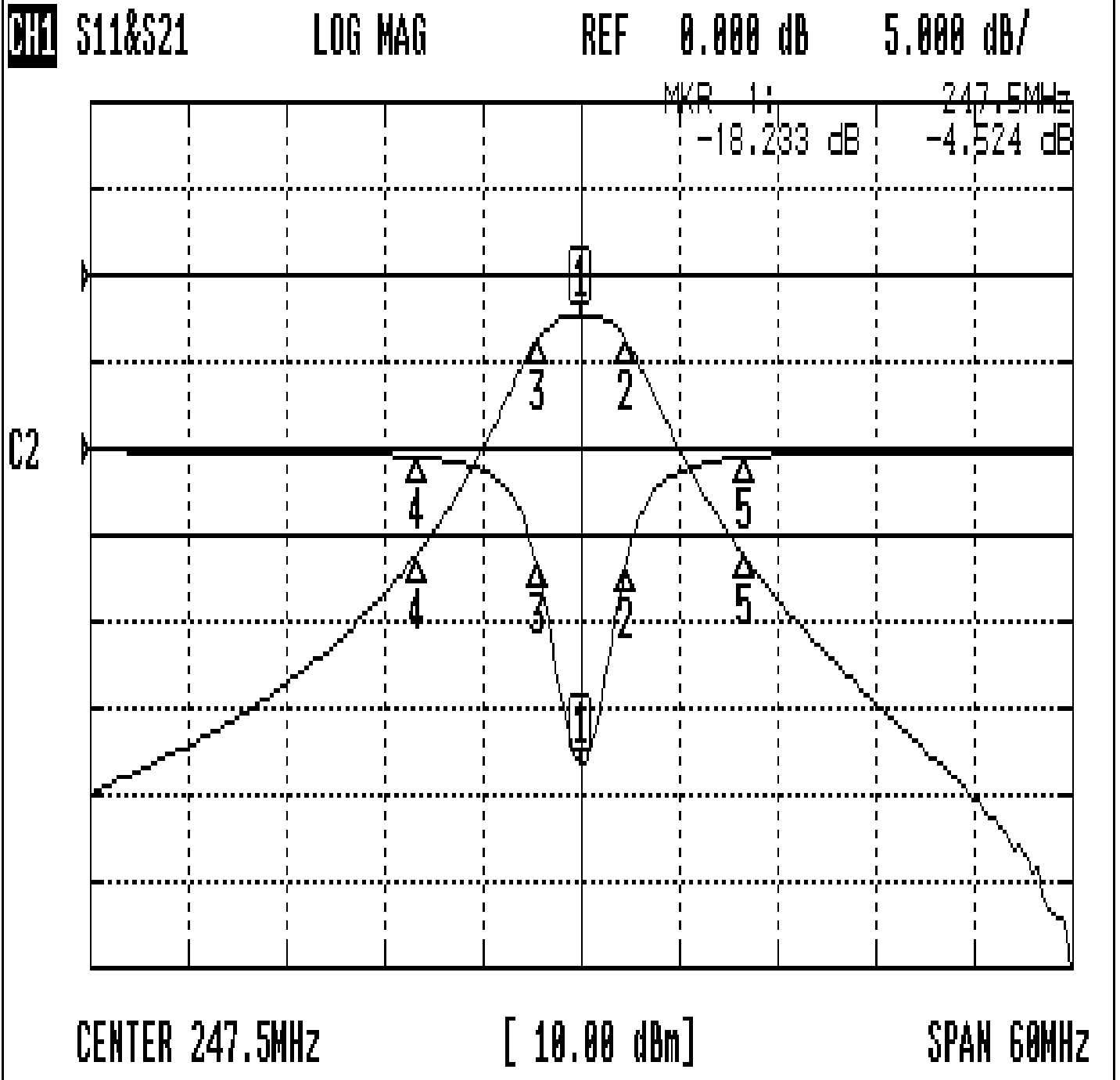


Approval	Supervisor	Designer	Aperture size
C.Y.Chang	C.S.Chang	Enlan	7H3(4*5.5)(5.59)f 7H024LB4

TEMWELL CORPORATION

# Performance-TT67316B-247.5M

## 20506048B



### CH1 MARKER LIST

1:	247.500MHz	-18.233 dB	-4.524 dB
2:	250.300MHz	-6.650 dB	-7.580 dB
3:	244.800MHz	-6.536 dB	-7.573 dB
4:	237.500MHz	-0.491 dB	-32.149 dB
5:	257.500MHz	-0.508 dB	-32.464 dB