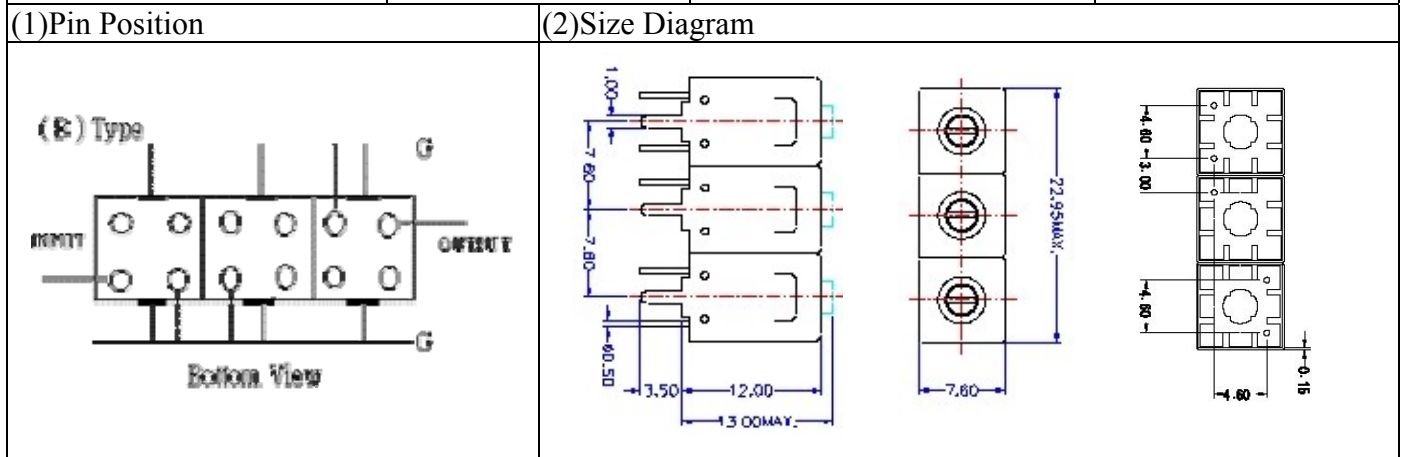


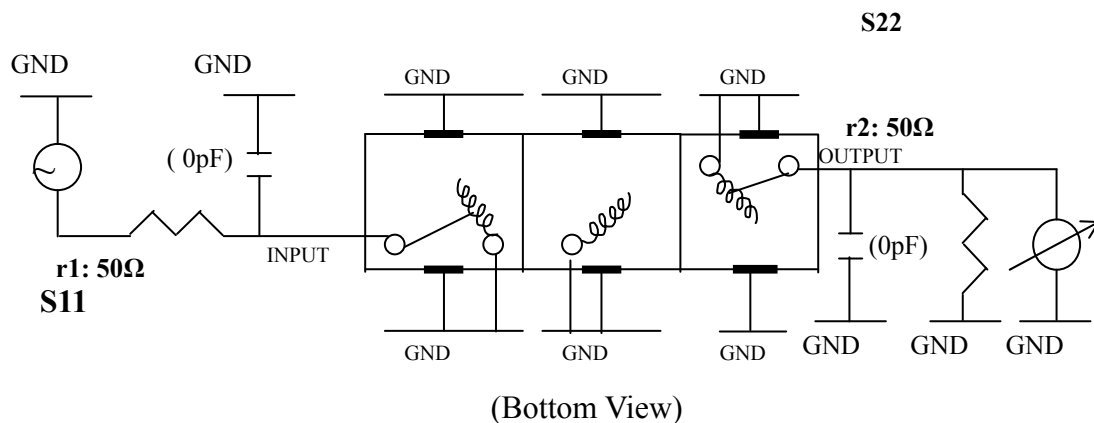
# VHF UHF Helical Filter Specification Sheet

Customer Name		Temwell's Part No.	TT67315B-225.6M
Approval No. /dated	0901066CD	Customer's Print Name.	67315B 225.6M
Work Instruction No.	200901066CD	Date	Feb.02.2009



(3) Electric Characteristic			
Item		Specify	Performance
Center Freq.(Fo) +/- 0.5 %		225.6 MHz	225.6 MHz
Tunable Range:		225.6±4 MHz	225.6±4 MHz
Insertion Loss		Typ. 3.0 dB	1.78 dB
-3 dB Bandwidth		Typ. 10 MHz	12.5 MHz
Sensitivity (Attenuation)	Fo - 50 MHz	Typ. 58 dBc	61 dBc
	Fo + 50 MHz	Typ. 44 dBc	47 dBc
	Fo - ( )MHz	Typ. dBc	dBc
	Fo +( )MHz	Typ. dBc	dBc
Return Loss		Min. 12 dB	34.9 dB
Ripple		< 1 dB	dB
Impedance		In / Out : 50 Ω	In / Out : 50 Ω
(4) Torque for Tuning Screw		> 100gf · cm	
(5) Temperature Condition:			
Operating Temperature		0°C ~ +60°C	
Storage Temperature		-20°C ~ +70°C	
(6) Input Power		> 1Watt	

(7) Measuring Circuit: ※Easy to match Impedance S11/S22 50Ω by parallel with about(0pF) / (0pF).

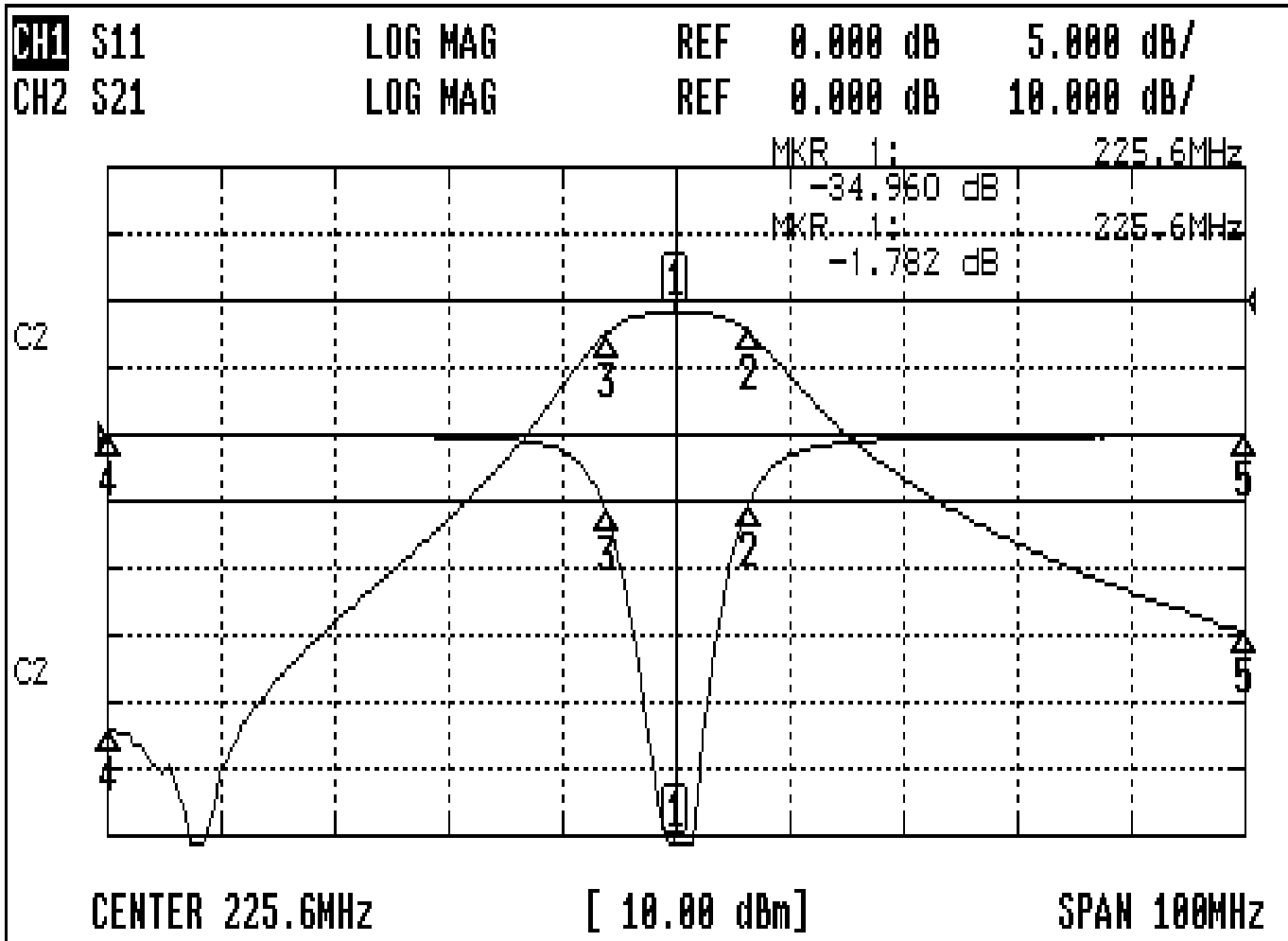


Approval	Supervisor	Designer	Aperture size
C.Y.Chang	C.K.Chang	C.H.Yeh	7H3S(4*6.5)(6.51) (7H024RB4)

TEMWELL CORPORATION

# Performance-TT67315B-225.6M

## 200901066CD



### CH1 MARKER LIST

1:	225.600MHz	-34.960	dB
2:	232.016MHz	-1.782	dB
3:	219.516MHz	-4.695	dB
4:	175.600MHz	-4.724	dB
5:	275.600MHz	-49.526	dB

### CH2 MARKER LIST

1:	225.600MHz	-1.782	dB
2:	232.016MHz	-4.695	dB
3:	219.516MHz	-4.724	dB
4:	175.600MHz	-49.526	dB
5:	275.600MHz	-49.526	dB