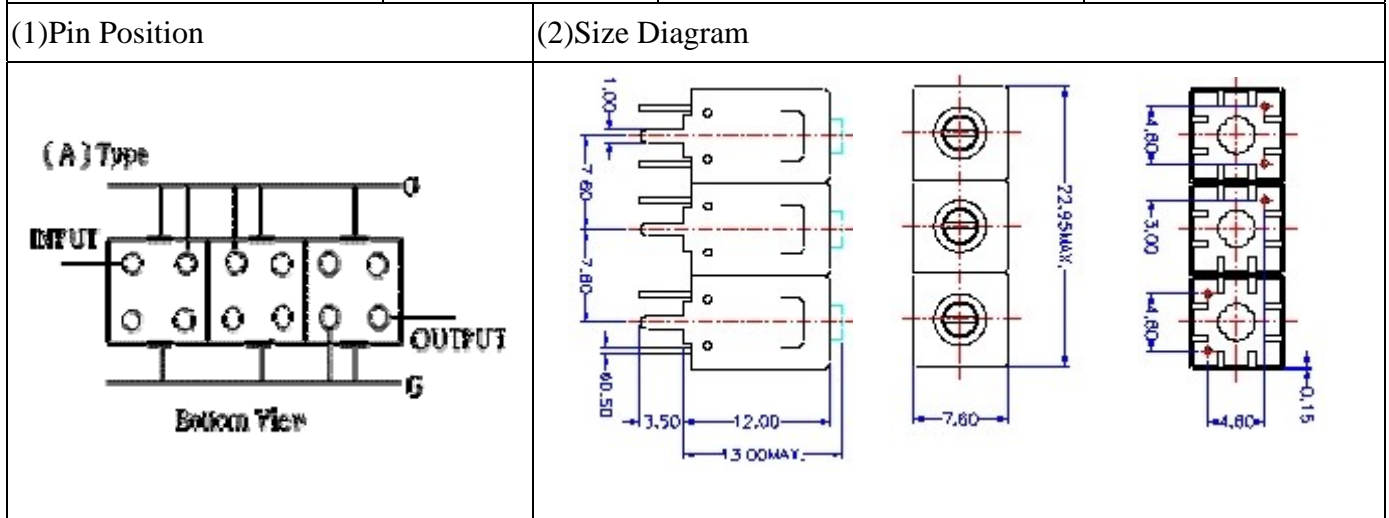


VHF UHF Helical Filter Specification Sheet

Customer Name		Temwell's Part No.	TT67313A-980M
Approval No. /dated	2001012D	Acceptable Specify Fo. Range	976~1000MHz
Work Instruction No.	2001012D	Date	Jan.07.2000

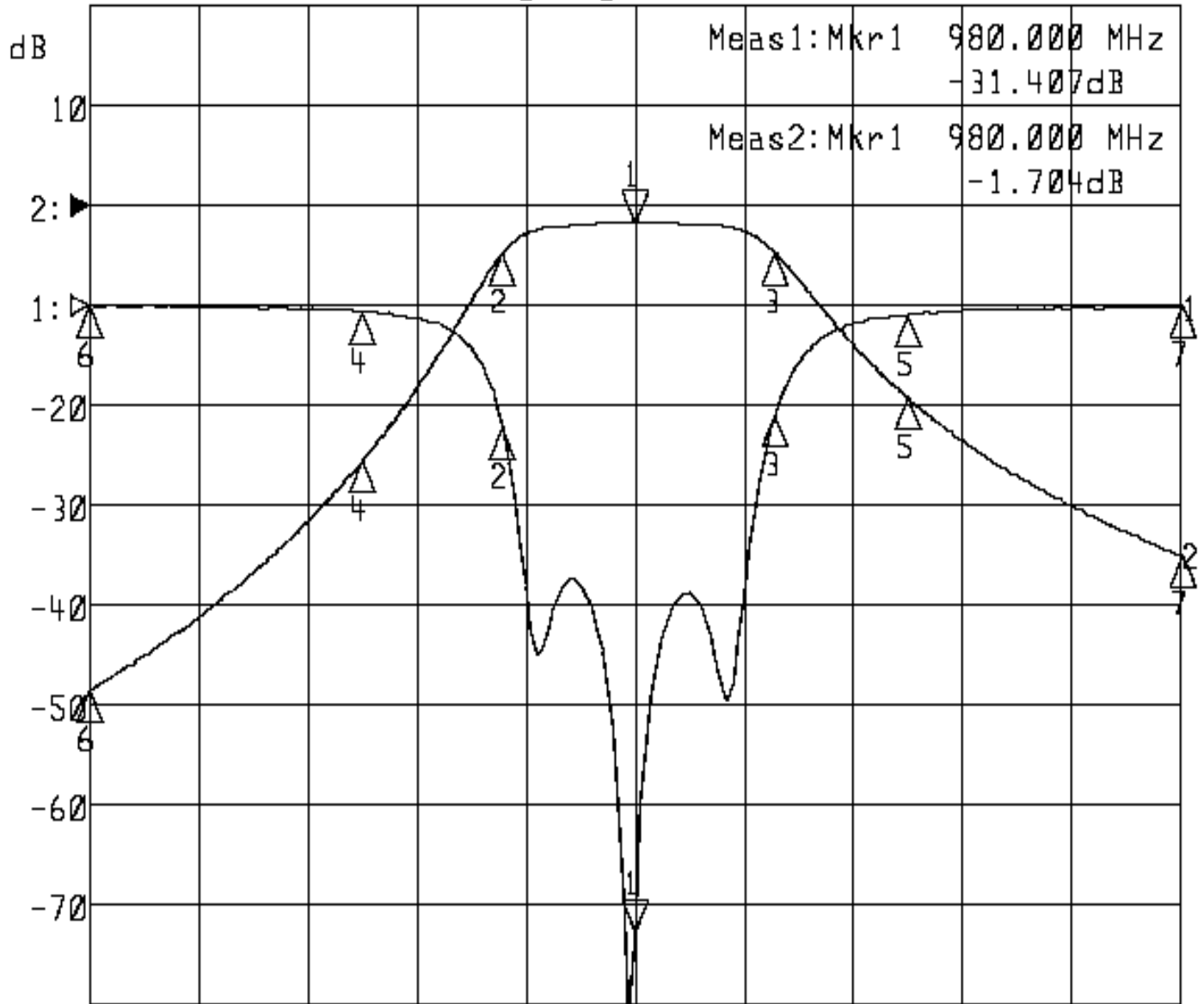


(3) Electric Character			
Item	Specify	Performance	
Center Freq.(Fo) +/- 0.5 %	980 MHz	980 MHz	
Tunable Range	980±5 MHz	980±5 MHz	
Insertion Loss	Typ. 3.0 dB	1.70 dB	
-3 dB Bandwidth	Typ. 40 MHz	49.9 MHz	
Sensitivity (Attenuation)	Fo - (100)MHz	Typ. 44 dBc	47 dBc
	Fo +(100)MHz	Typ. 30 dBc	33 dBc
	Fo - MHz	Typ. dBc	dBc
	Fo + MHz	Typ. dBc	dBc
Return Loss	Min. 12 dB	31.4 dB	
Ripple	< 1 dB	dB	
Impedance	In / Out : 50 Ω	In / Out : 50 Ω	
(4) Torque for Tuning Screw			
> 100gf · cm			
(5) Temperature Condition:			
Operating Temperature		0°C ~ +60°C	
Storage Temperature		-20°C ~ +70°C	
(6) Input Power			
> 1Watt			
Approval	Supervisor	Designer	Aperture size
C.Y.Chang	C.S.Chang	C.S.Chang	7H3S(4*6.5)F 7H046LB4 聚 3
TEMWELL CORPORATION			

Performance-TT67313A-980M

2001012D

▷1:S11 Refl Port1 Log Mag 5.0 dB/ Ref 0.00 dB C
▶2:S21 Fwd Trans Log Mag 10.0 dB/ Ref 0.00 dB C



Center 980.000 MHz

Span 200.000 MHz

1:Mkr (MHz)	dB	2:Mkr (MHz)	dB
1> 980.0000	-31.407	1> 980.0000	-1.704
2: 955.8000	-6.103	2: 955.8000	-4.734
3: 1005.6667	-5.528	3: 1005.6667	-4.692
4: 930.0000	-0.318	4: 930.0000	-25.599
5: 1030.0000	-0.453	5: 1030.0000	-19.218
6: 880.0000	-0.056	6: 880.0000	-48.519
7: 1080.0000	-0.047	7: 1080.0000	-34.974