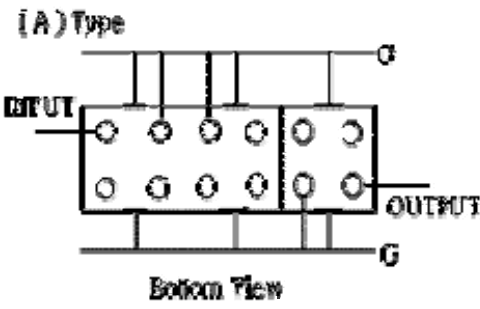
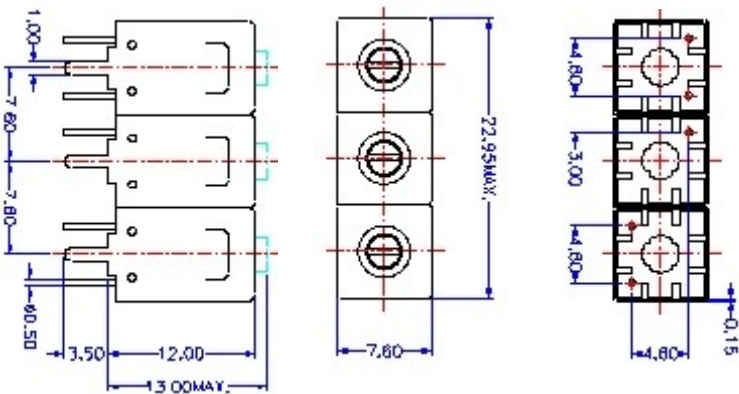


VHF UHF Helical Filter Specification Sheet

Customer Name		Temwell's Part No.	TT67310A-915M
Approval No. /dated	2001007D	Acceptable Specify Fo. Range	901~930MHz
Work Instruction No.	2001007D	Date	Jan.06.2000

(1)Pin Position	(2)Size Diagram
 <p>(A) Type Bottom View</p>	

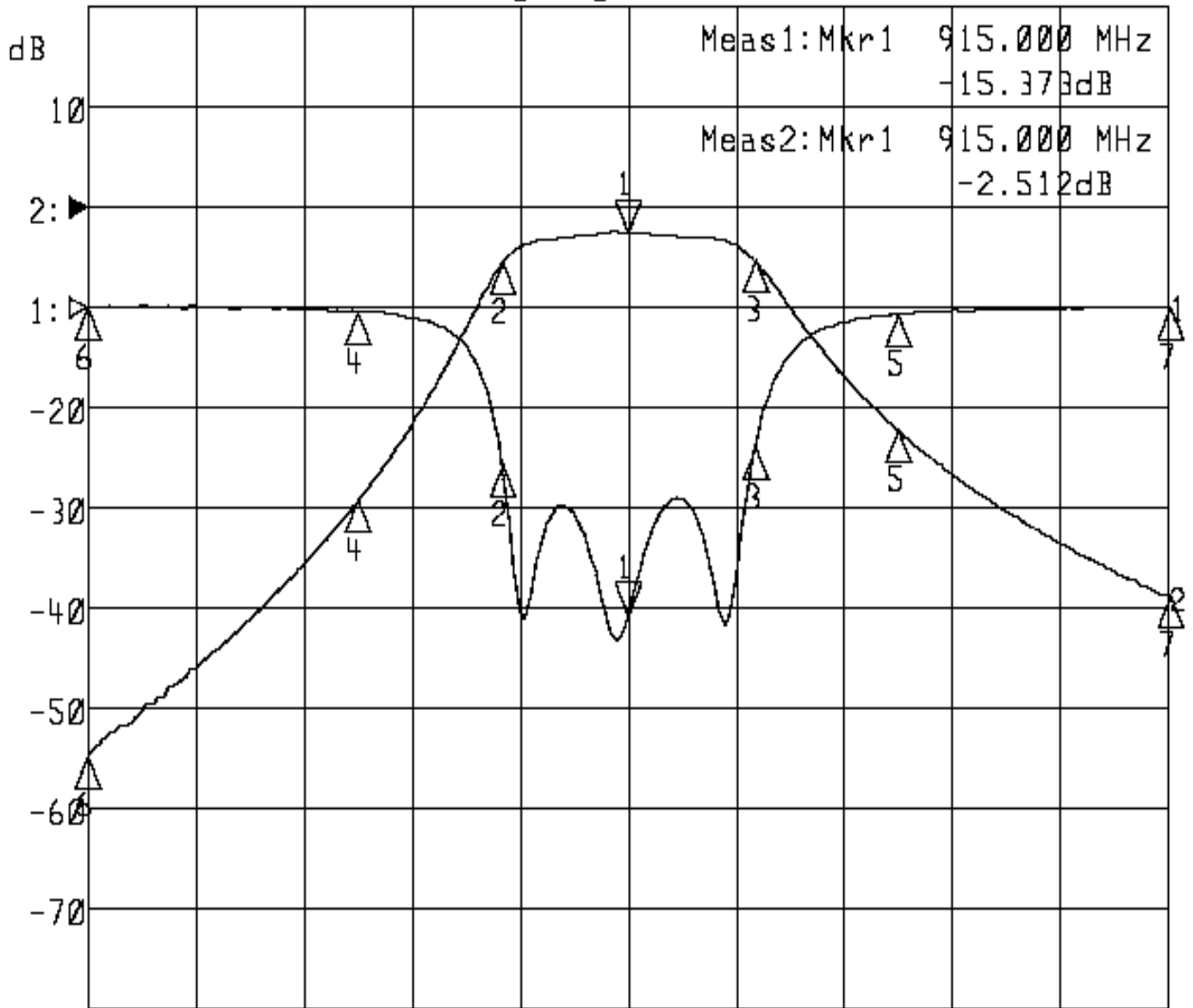
(3)Electric Character			
Item	Specify	Performance	
Center Freq.(Fo) +/- 0.5 %	915 MHz	915	MHz
Tunable Range	915±5 MHz	915±5	MHz
Insertion Loss	Typ. 3.5 dB	2.51	dB
-3 dB Bandwidth	Typ. 40 MHz	46.7	MHz
Sensitivity (Attenuation)	Fo - 50 MHz	Typ. 24	dBc
	Fo + 50 MHz	Typ. 17	dBc
	Fo - ()MHz	Typ.	dBc
	Fo +()MHz	Typ.	dBc
Return Loss	Min. 12 dB	15	dB
Ripple	< 1 dB		dB
Impedance	In / Out : 50 Ω	In / Out : 50 Ω	
(4)Torque for Tuning Screw			
> 100gf • cm			
(5)Temperature Condition:			
Operating Temperature	0°C ~ +60°C		
Storage Temperature	-20°C ~ +70°C		
(6)Input Power			
> 1Watt			
Approval	Supervisor	Designer	Aperture size
C.Y.Chang	C.S.Chang	C.S.Chang	7H3S(4*8.0)F 7H046LB4 聚 3

TEMWELL CORPORATION

Performance-TT67310A-915M

2001007D

▶1: S11 Refl Port1 Log Mag 5.0 dB/ Ref 0.00 dB C
 ▶2: S21 Fwd Trans Log Mag 10.0 dB/ Ref 0.00 dB C



Meas1: Mkr1 915.000 MHz
 -15.373 dB
 Meas2: Mkr1 915.000 MHz
 -2.512 dB

Center 915.000 MHz

Span 200.000 MHz

1: Mkr (MHz)	dB	2: Mkr (MHz)	dB
1> 915.0000	-15.373	1> 915.0000	-2.512
2: 891.7333	-7.919	2: 891.7333	-5.553
3: 938.4000	-7.060	3: 938.4000	-5.299
4: 865.0000	-0.216	4: 865.0000	-29.289
5: 965.0000	-0.338	5: 965.0000	-22.255
6: 815.0000	0.024	6: 815.0000	-54.741
7: 1015.0000	0.022	7: 1015.0000	-38.795