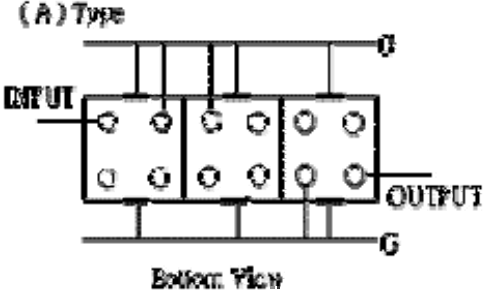
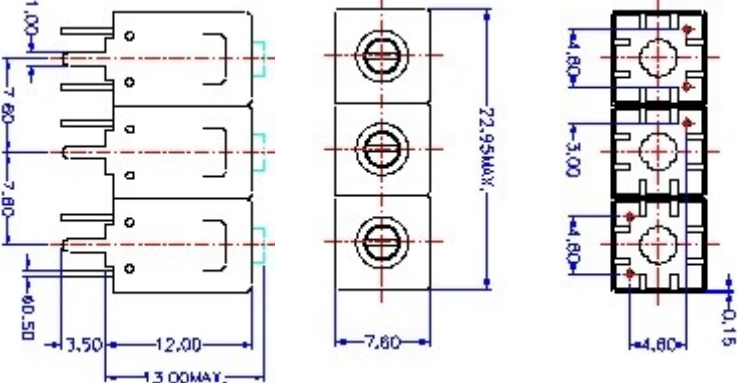


VHF UHF Helical Filter Specification Sheet

Customer Name		Temwell's Part No.	TT67306A-815M
Approval No. /dated	2001004D	Acceptable Specify Fo. Range	801~830MHz
Work Instruction No.	2001004D	Date	Jan.05.2000

(1)Pin Position	(2)Size Diagram
 <p>(A) Type Bottom View</p>	

(3)Electric Character

Item	Specify	Performance	
Center Freq.(Fo) +/- 0.5 %	815 MHz	815 MHz	
Tunable Range	815±5 MHz	815±5 MHz	
Insertion Loss	Typ. 2.5 dB	1.66 dB	
-1 dB Bandwidth	Typ. 40 MHz	48 MHz	
-3 dB Bandwidth	Typ. 42 MHz	50 MHz	
Sensitivity (Attenuation)	Fo - 50 MHz	Typ. 25 dBc	28 dBc
	Fo + 50 MHz	Typ. 15 dBc	18 dBc
	Fo - ()MHz	Typ. dBc	dBc
	Fo +()MHz	Typ. dBc	dBc
Return Loss	Min. 12 dB	28.6 dB	
Ripple	< 1 dB	dB	
Impedance	In / Out : 50 Ω	In / Out : 50 Ω	

(4)Torque for Tuning Screw > 100gf • cm

(5)Temperature Condition:

Operating Temperature	0°C ~ +60°C
Storage Temperature	-20°C ~ +70°C

(6)Input Power > 1Watt

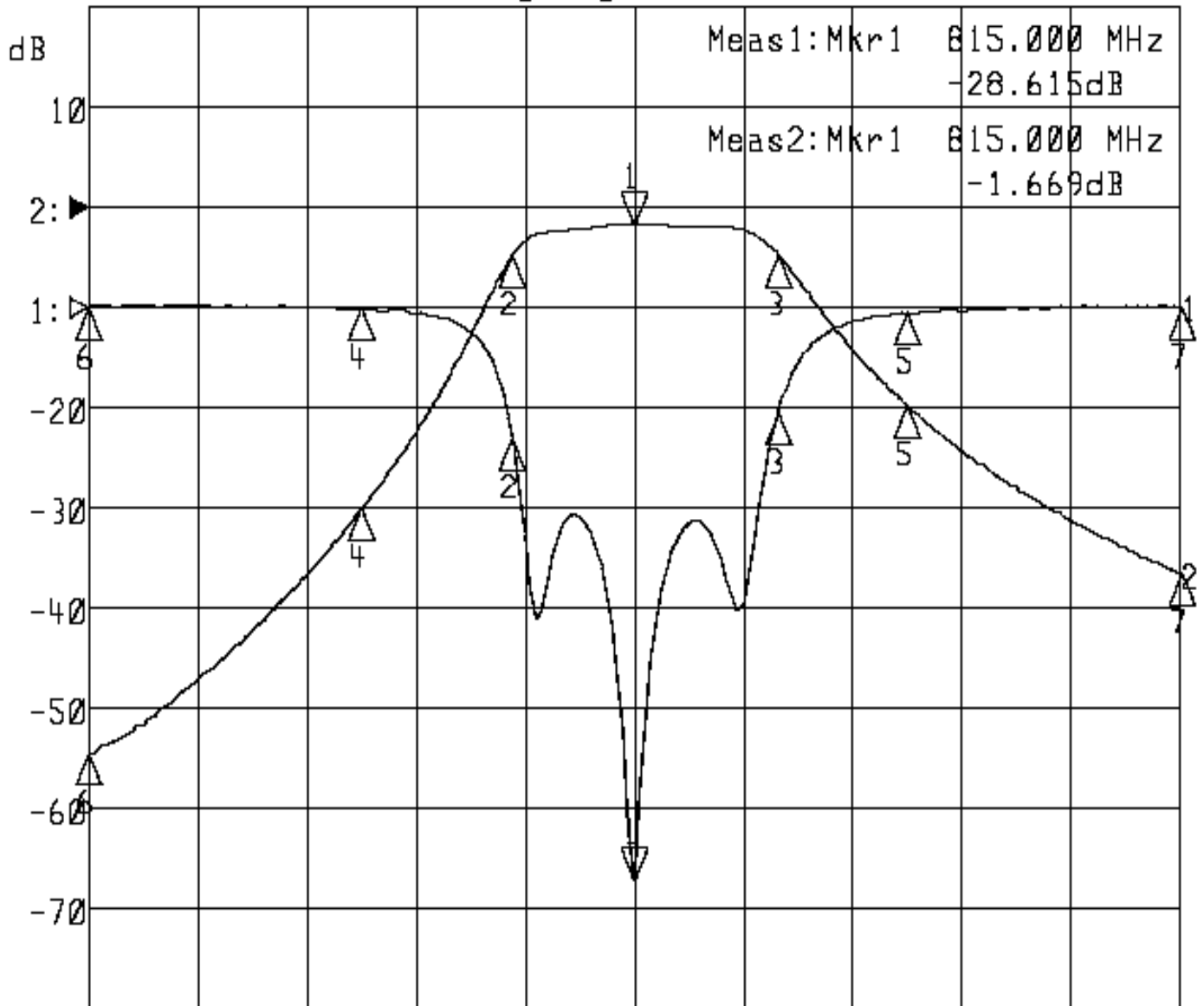
Approval	Supervisor	Designer	Aperture size
C.Y.Chang	C.S.Chang	C.S.Chang	7H3S(4*8.0)F 7H046LB4 聚 3

TEMWELL CORPORATION

Performance-TT67306A-815M

2001004D

▷1: S11 Refl Port1 Log Mag 5.0 dB/ Ref 0.00 dB C
 ▼2: S21 Fwd Trans Log Mag 10.0 dB/ Ref 0.00 dB C



Center 815.000 MHz

Span 200.000 MHz

1: Mkr (MHz)	dB	2: Mkr (MHz)	dB
1> 815.0000	-28.615	1> 815.0000	-1.669
2: 792.7333	-6.463	2: 792.7333	-4.717
3: 841.3333	-5.233	3: 841.3333	-4.634
4: 765.0000	-0.019	4: 765.0000	-30.101
5: 865.0000	-0.310	5: 865.0000	-19.816
6: 715.0000	0.058	6: 715.0000	-54.521
7: 915.0000	0.002	7: 915.0000	-36.525