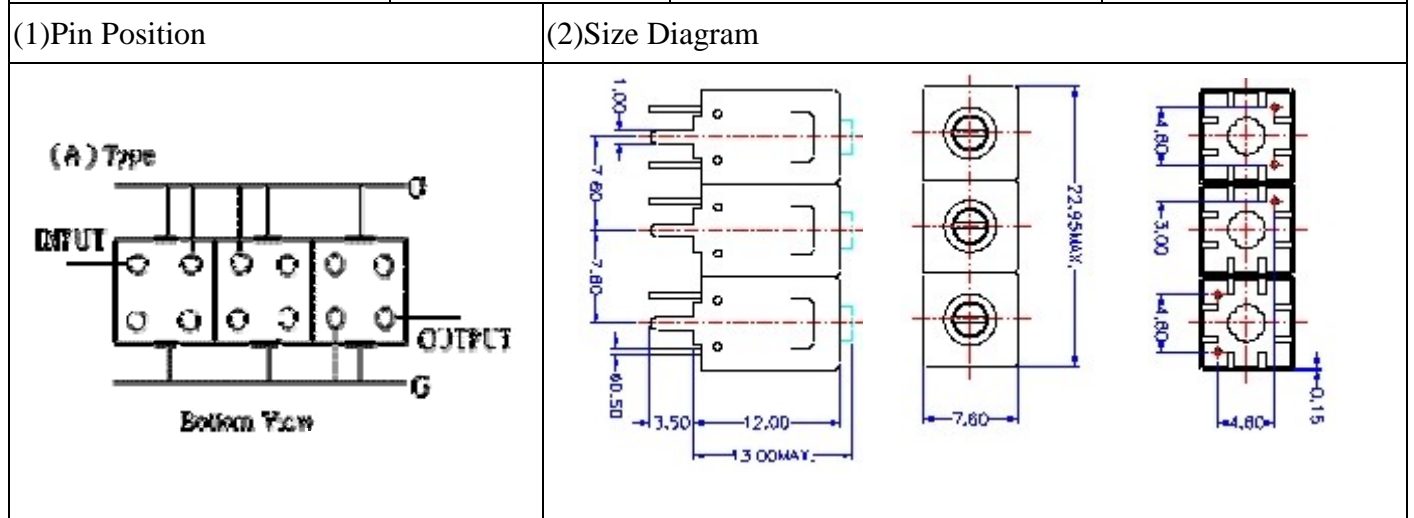


# VHF UHF Helical Filter Specification Sheet

Customer Name		Temwell's Part No.	TT67302A-90M
Approval No. /dated	20111139B	Acceptable Specify Fo. Range	86~95MHz
Work Instruction No.	20111139B	Date	Dec.23.2001



(3) Electric Character

Item	Specify	Performance	
Center Freq.(Fo ) +/- 0.5 %	90 MHz	90 MHz	
Tunable Range	90±2 MHz	90±2 MHz	
Insertion Loss	Typ. 3.0 dB	2.03 dB	
-3 dB Bandwidth	Typ. 19 MHz	20.7 MHz	
Sensitivity (Attenuation )	Fo - 50 MHz	Typ. 40 dBc	43 dBc
	Fo + 50 MHz	Typ. 43 dBc	46 dBc
	Fo - ( )MHz	Typ. dBc	dBc
	Fo +( )MHz	Typ. dBc	dBc
Return Loss	Min. 12 dB	28 dB	
Ripple	< 1 dB	dB	
Impedance	In / Out : 50 Ω	In / Out : 50 Ω	

(4) Torque for Tuning Screw > 100gf • cm

(5) Temperature Condition:

Operating Temperature	0°C ~ +60°C
Storage Temperature	-20°C ~ +70°C

(6) Input Power > 1Watt

Approval	Supervisor	Designer	Aperture size
C. Y.Chang	C.S.Chang	C.S.Chang	7H3S(4*8.0)F 7H00LB4

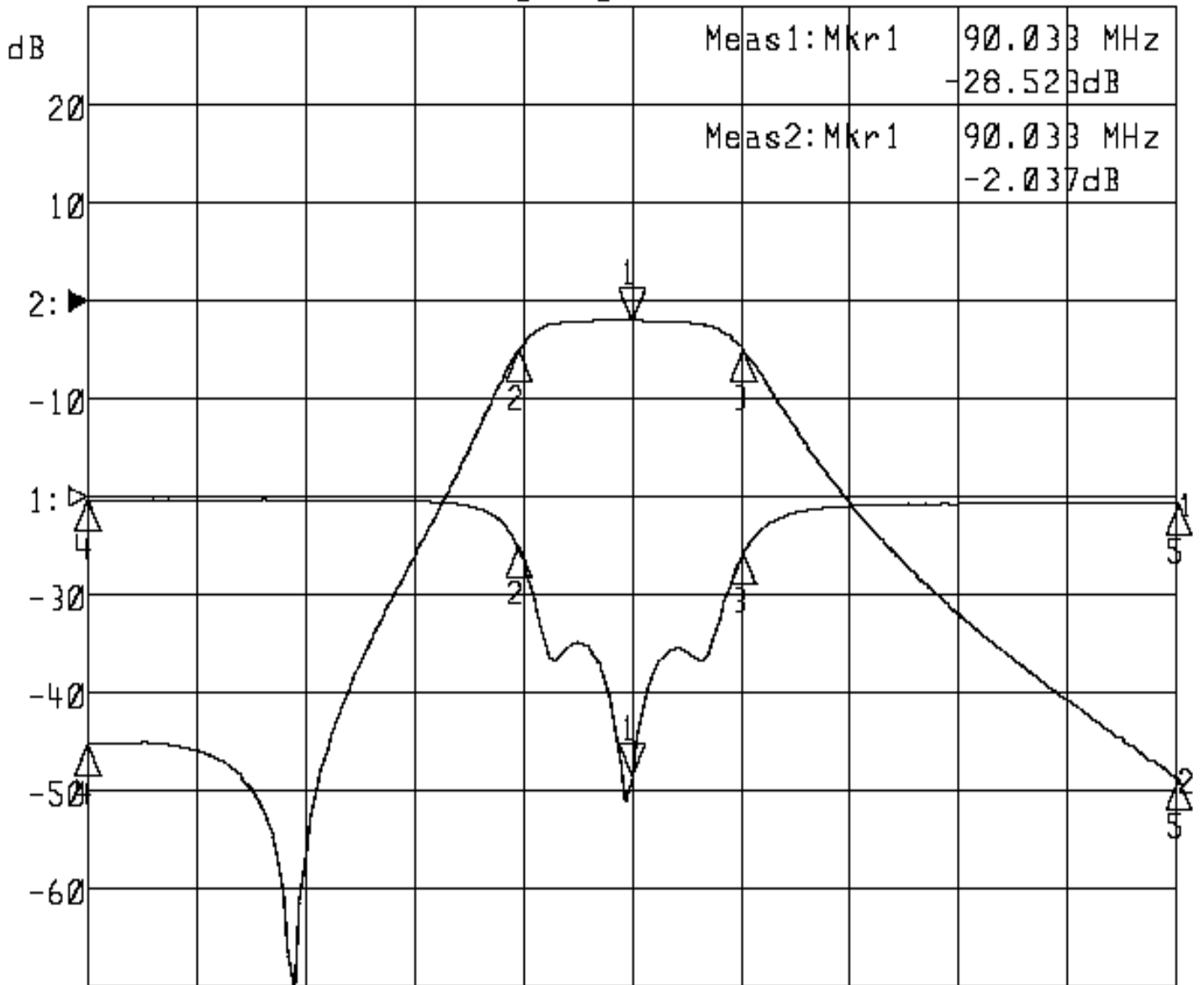
TEMWELL CORPORATION

# Performance-TT67302A-90M

## 2011139B

▶1:S11 Refl Port1 Log Mag 10.0 dB/ Ref 0.00 dB

▶2:S21 Fwd Trans Log Mag 10.0 dB/ Ref 0.00 dB



Center 90.000 MHz

Span 100.000 MHz

1: Mkr (MHz)	dB	2: Mkr (MHz)	dB
1> 90.0333	-28.523	1> 90.0333	-2.037
2: 79.5400	-5.105	2: 79.5400	-5.114
3: 100.2667	-5.748	3: 100.2667	-5.010
4: 40.0000	-0.369	4: 40.0000	-45.335
5: 140.0000	-0.729	5: 140.0000	-48.766