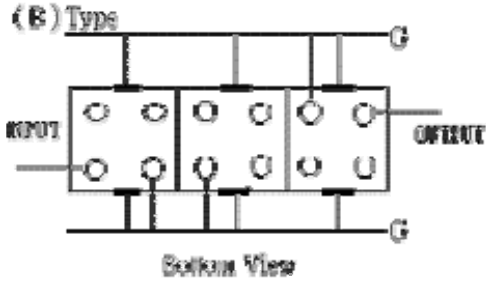
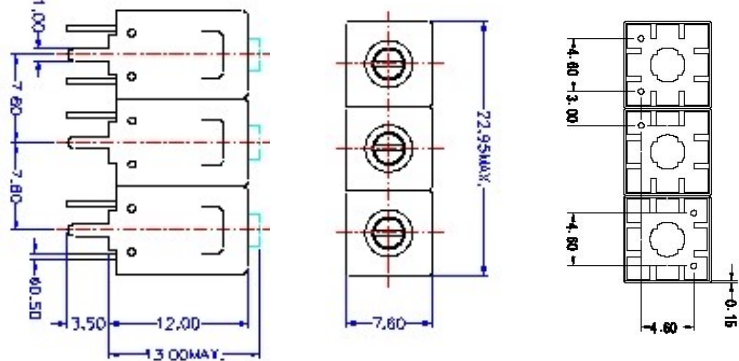


# VHF UHF Helical Filter Specification Sheet

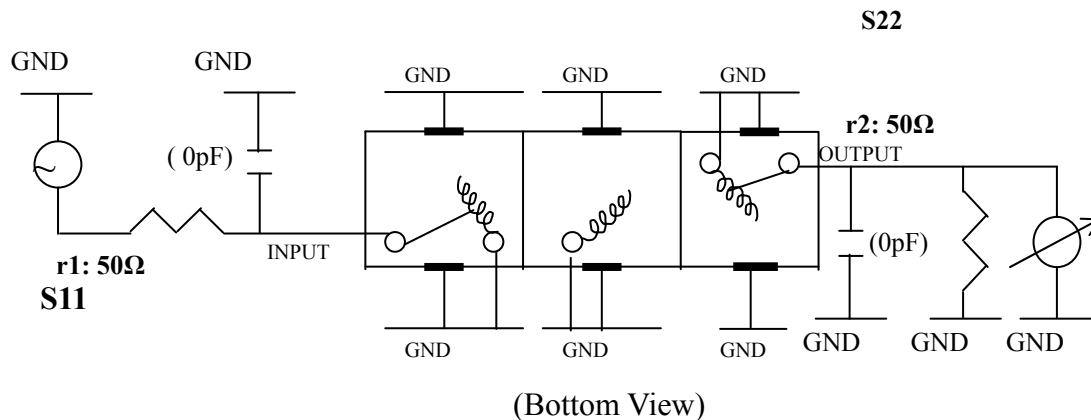
Customer Name		Temwell's Part No.	TT67295B-430M
Approval No. /dated	0901068CD	Customer's Print Name.	67295B 430M
Work Instruction No.	200901068CD	Date	Feb.02.2009

<p>(1) Pin Position</p>  <p>(B) Type</p> <p>INPUT</p> <p>OUTPUT</p> <p>Bottom View</p>	<p>(2) Size Diagram</p>  <p>Dimensions: 1.00, 7.80, 7.80, 40.50, 3.50, 12.00, 13.00MAX., 7.80, 22.95MAX., 4.80, 3.00, 4.80, 0.15</p>
---	--

(3) Electric Characteristic			
Item		Specify	Performance
Center Freq.(Fo) +/- 0.5 %		430 MHz	430 MHz
Tunable Range:		430±3 MHz	430±3 MHz
Insertion Loss		Typ. 3.0 dB	1.14 dB
-3 dB Bandwidth		Typ. 34 MHz	36.0 MHz
Sensitivity (Attenuation)	Fo - 50 MHz	Typ. 28 dBc	31 dBc
	Fo + 50 MHz	Typ. 26 dBc	29 dBc
	Fo - ( )MHz	Typ. dBc	dBc
	Fo +( )MHz	Typ. dBc	dBc
Return Loss		Min. 12 dB	39.6 dB
Ripple		< 1 dB	dB
Impedance		In / Out : 50 Ω	In / Out : 50 Ω
(4) Torque for Tuning Screw		> 100gf · cm	

(5) Temperature Condition:	
Operating Temperature	0°C ~ +60°C
Storage Temperature	-20°C ~ +70°C
(6) Input Power	> 1Watt

(7) Measuring Circuit: ※Easy to match Impedance S11/S22 50Ω by parallel with about(0pF) / (0pF).



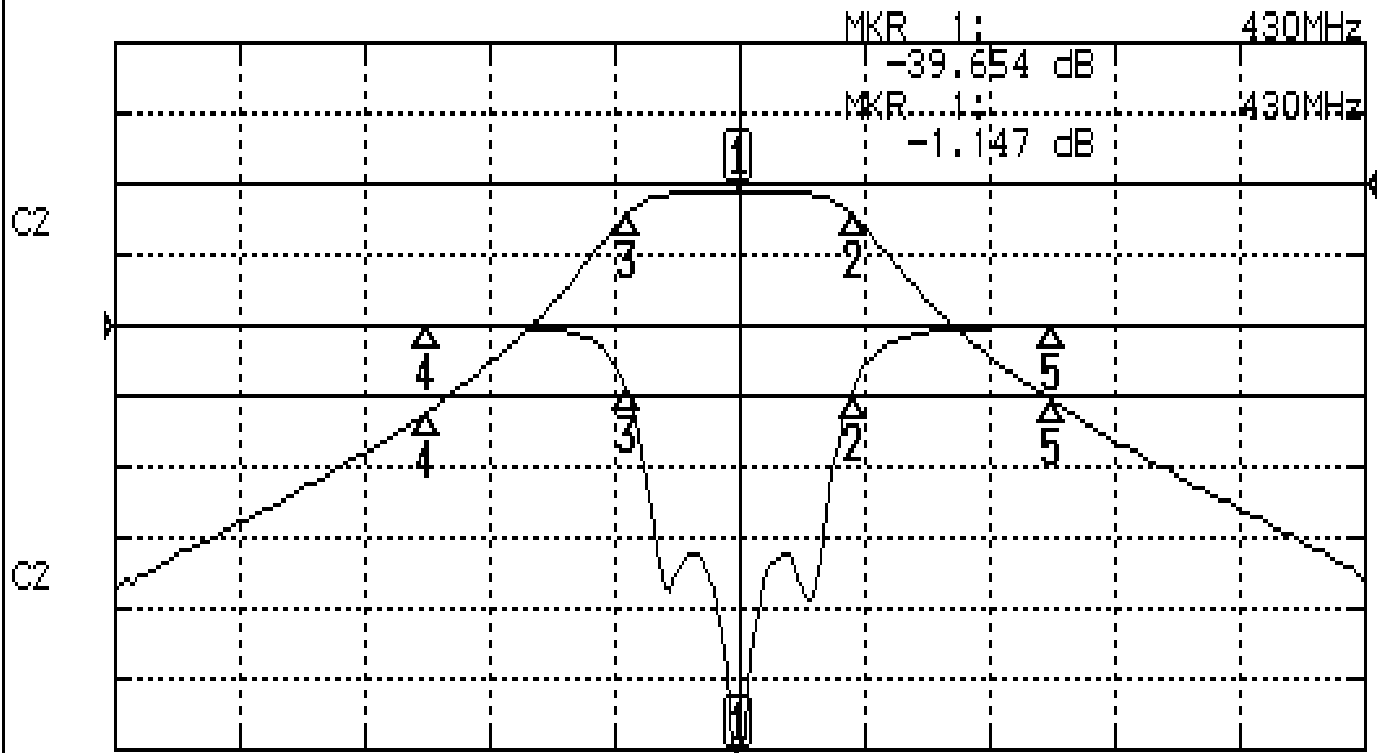
Approval	Supervisor	Designer	Aperture size
C.Y.Chang	C.K.Chang	C.H.Yeh	7H3S(4*5.5)(5.63) (7H046LB5.5)

TEMWELL CORPORATION

# Performance-TT67295B-430M

## 200901068CD

CH1 S11 LOG MAG REF 0.000 dB 5.000 dB/  
CH2 S21 LOG MAG REF 0.000 dB 10.000 dB/



CENTER 430MHz

[ 10.00 dBm ]

SPAN 200MHz

### CH1 MARKER LIST

1:	430.000MHz	-39.654 dB
2:	448.166MHz	-4.737 dB
3:	412.166MHz	-4.722 dB
4:	380.000MHz	0.032 dB
5:	480.000MHz	-0.026 dB

### CH2 MARKER LIST

1:	430.000MHz	-1.147 dB
2:	448.166MHz	-4.269 dB
3:	412.166MHz	-4.193 dB
4:	380.000MHz	-32.172 dB
5:	480.000MHz	-30.820 dB