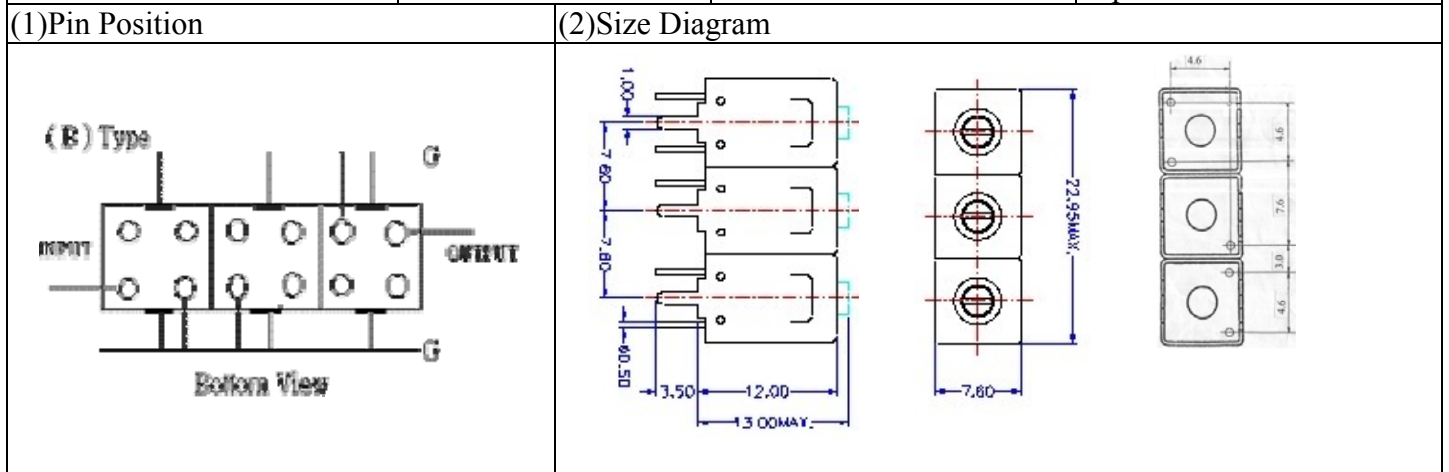


VHF UHF Helical Filter Specification Sheet

Customer Name		Temwell's Part No.	TT67291B-342M
Approval No. /dated	201008059CD	Temwell's print name.	67291B 342M
Work Instruction No.	201008059CD	Date	Sep.13.2010



(3) Electric Character

Item	Specify	Performance	
Center Freq.(Fo) +/- 0.75 %	342 MHz	342 MHz	
Insertion Loss	Typ. 3.0 dB	1.49 dB	
-3 dB Bandwidth	Typ. 20 MHz	23.8 MHz	
Sensitivity (Attenuation)	Fo - 50 MHz	Typ. 44 dBc	47 dBc
	Fo + 50 MHz	Typ. 34 dBc	37 dBc
	Fo - ()MHz	Typ. dBc	dBc
	Fo +()MHz	Typ. dBc	dBc
Return Loss	Min. 12 dB	30.9 dB	
Ripple	< 1 dB	dB	
Impedance	In / Out : 50 Ω	In / Out : 50 Ω	

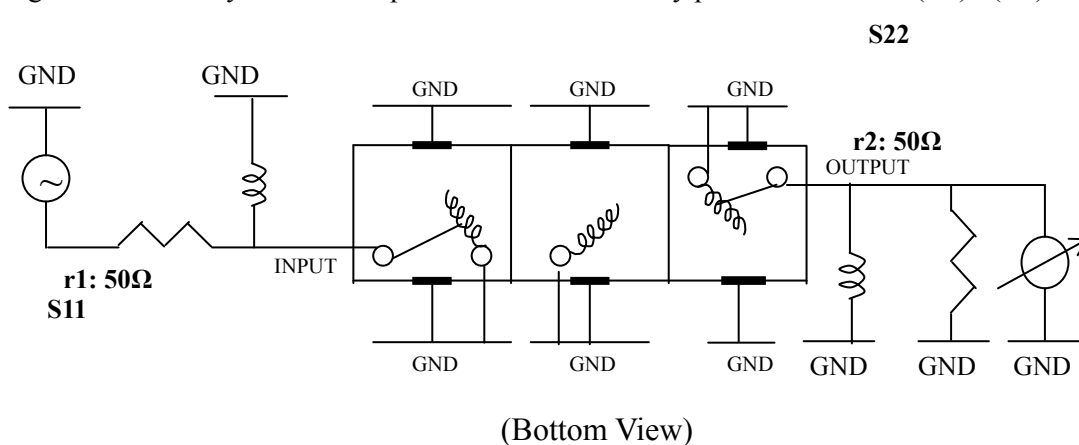
(4) Torque for Tuning Screw > 100gf · cm

(5) Temperature Condition:

Operating Temperature	-30°C ~ +70°C
Storage Temperature	-30°C ~ +80°C

(6) Input Power > 1Watt

(7) Measuring Circuit: ※Easy to match Impedance S11/S22 50Ω by parallel with about (--) / (--).



Approval	Supervisor	Designer	Aperture size
C.Y.Chang	C.K.Chang	P.H.Chiang	7H3S(4*7.5)(7.56) 7H024LB4

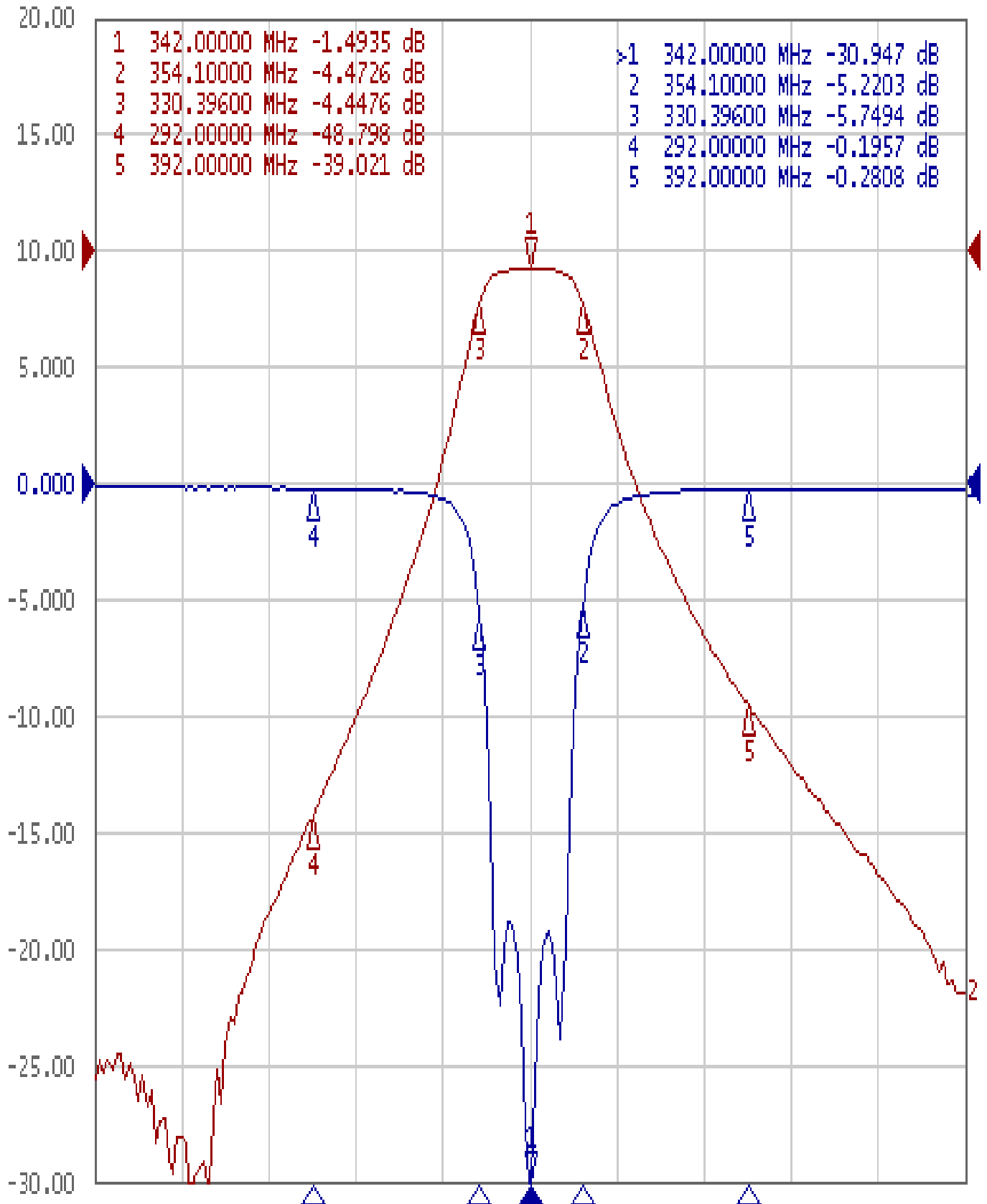
TEMWELL CORPORATION

Performance-TT67291B-342M

201008059CD

Tr1 S11 Log Mag 5.000dB/ Ref 0.000dB [F2]

Tr2 S21 Log Mag 10.00dB/ Ref 0.000dB [F2]



1 Center 342 MHz

IFBW 70 kHz

Span 200 MHz Cor !