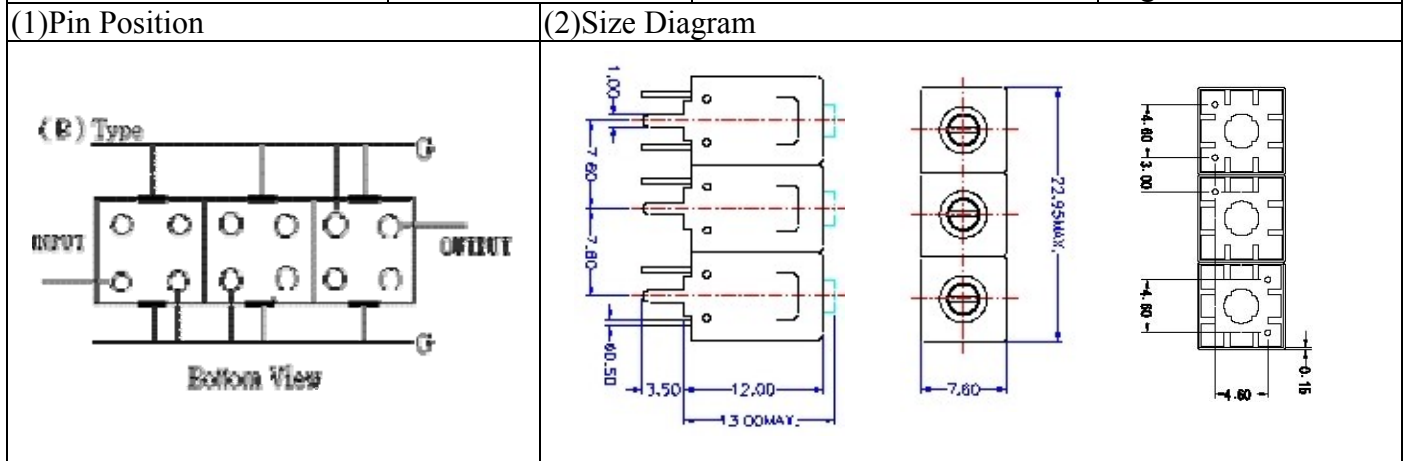


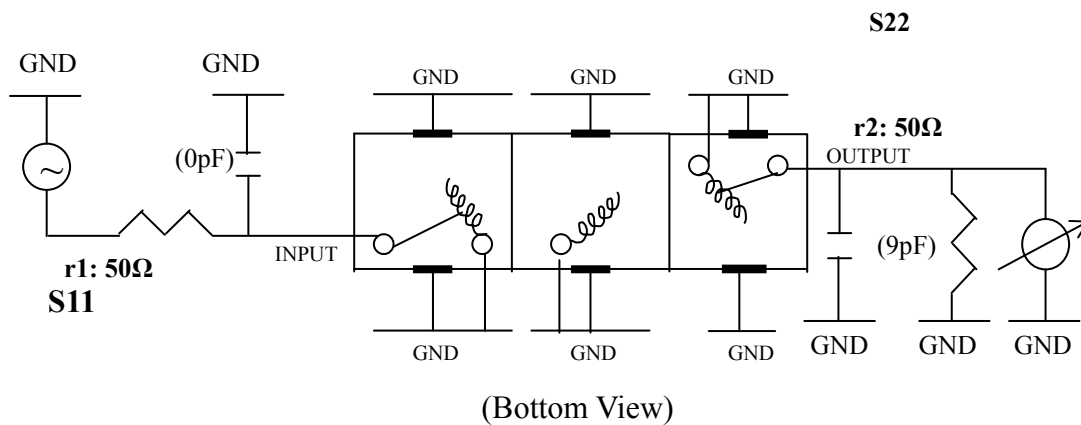
VHF UHF Helical Filter Specification Sheet

Customer Name		Temwell's Part No.	TT67287B-80M
Approval No. /dated	0707288APR	Customer's Print Name.	76~85MHz
Work Instruction No.	0707288B	Date	Aug.7.2007



(3) Electric Characteristic			
Item		Specify	Performance
Center Freq.(Fo) +/- 0.05%		80 MHz	80 MHz
Tunable Range:		80±2 MHz	80±2 MHz
Insertion Loss		Typ. 4.0 dB	3.08 dB
-3 dB Bandwidth		Typ. 5 MHz	6.4 MHz
Sensitivity (Attenuation)	Fo - 10 MHz	Typ. 33 dBc	36 dBc
	Fo + 10 MHz	Typ. 27 dBc	30 dBc
	Fo - ()MHz	Typ. dBc	dBc
	Fo +()MHz	Typ. dBc	dBc
Return Loss		Min. 12 dB	21.4 dB
Ripple		< 1 dB	dB
Impedance		In / Out : 50 Ω	In / Out : 50 Ω
(4) Torque for Tuning Screw		> 100f · cm	
(5) Temperature Condition:			
Operating Temperature		0°C ~ +60°C	
Storage Temperature		-20°C ~ +70°C	
(6) Input Power		> 1 Watt	

(7) Measuring Circuit: ※Easy to match Impedance S11/S22 50Ω by parallel with about(0pF) / (9pF).



Approval	Supervisor	Designer	Aperture size
C.Y.Chang	C.S.Chang	Y.H.Yeh	7H3S(4*7.5)(7.56)F 7H00LB6

TEMWELL CORPORATION

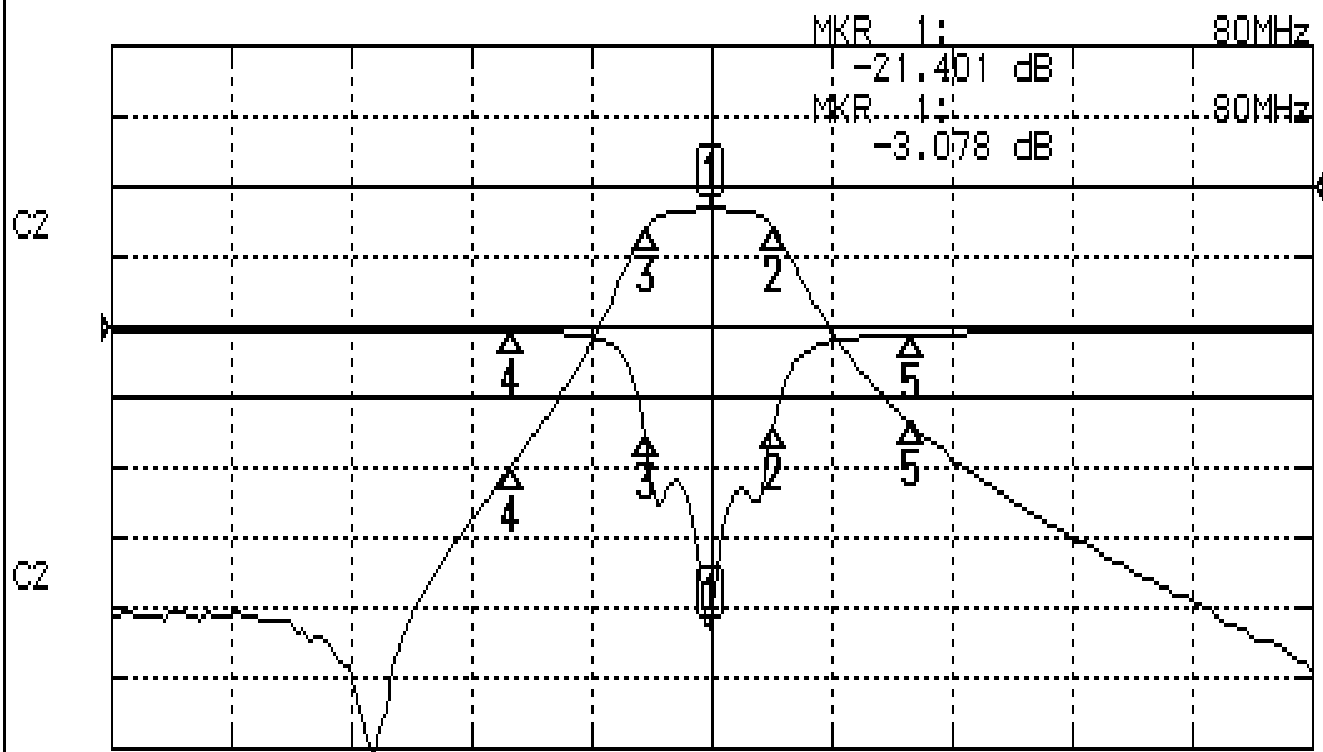
TEMWELL

Form10-7H3B Vision D RP (Y.H.Y)

Performance-TT67287B-80M

0707288B

CH1 S11 LOG MAG REF 0.000 dB 5.000 dB/
CH2 S21 LOG MAG REF 0.000 dB 10.000 dB/



CENTER 80MHz

[10.00 dBm]

SPAN 60MHz

CH1 MARKER LIST

1	80.000MHz	-21.401	dB
2	83.150MHz	-6.907	dB
3	76.700MHz	-7.567	dB
4	70.000MHz	-0.296	dB
5	90.000MHz	-0.520	dB

CH2 MARKER LIST

1	80.000MHz	-3.081	dB
2	83.150MHz	-1.046	dB
3	76.700MHz	-1.046	dB
4	70.000MHz	-0.000	dB
5	90.000MHz	-0.758	dB