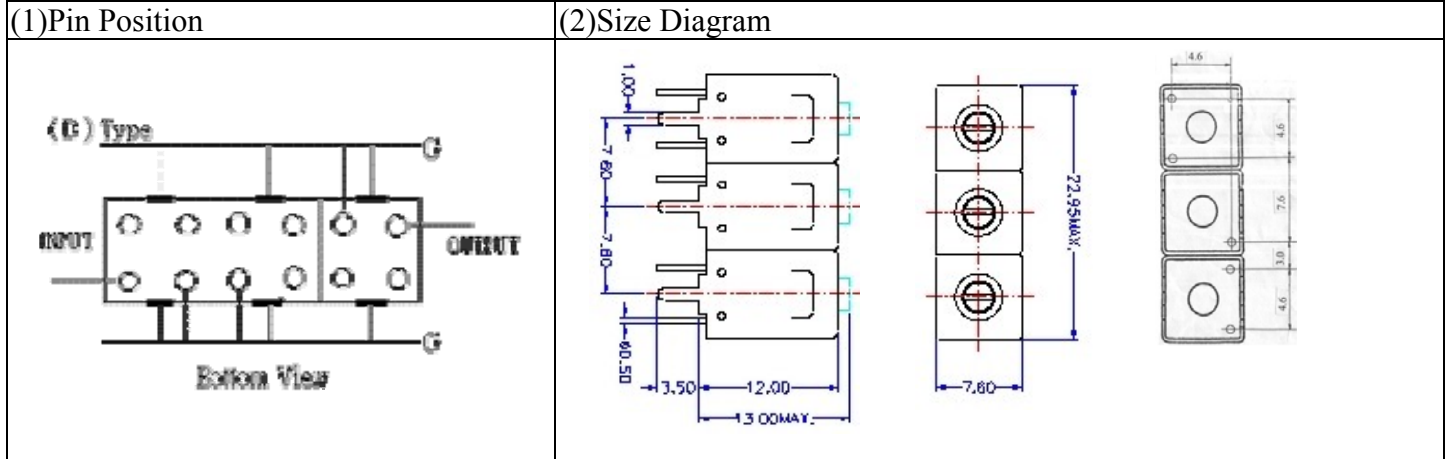


# VHF UHF Helical Filter Specification Sheet

Customer Name		Temwell's Part No.	TT67278B-418M
Approval No. /dated	981136D	Acceptable Specify Fo. Range	401~455MHz
Work Instruction No.	981136D	Date	Aug.06.2004



(3) Electric Characteristic

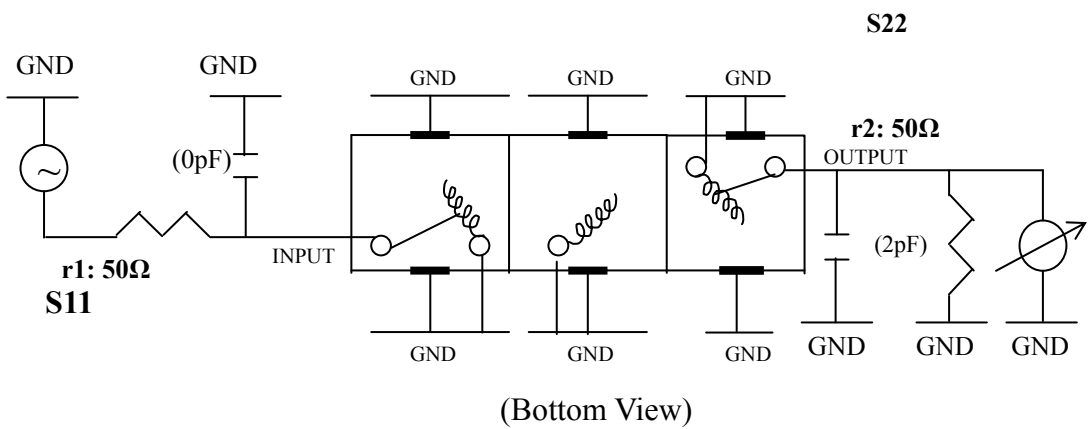
Item	Specify	Performance
Center Freq.(Fo) +/- 0.5 %	418 MHz	418 MHz
Tunable Range:	418±5 MHz	418±5 MHz
Insertion Loss	Typ. 5.0 dB	4.3 dB
-3 dB Bandwidth	Typ. 8 MHz	10 MHz
Sensitivity (Attenuation)	Fo - 50 MHz	Typ. 61 dBc
	Fo + 50 MHz	Typ. 47 dBc
	Fo - ( )MHz	Typ. dBc
	Fo +( )MHz	Typ. dBc
Return Loss	Min. 12 dB	16.9 dB
Ripple	< 1 dB	dB
Impedance	In / Out : 50 Ω	In / Out : 50 Ω

(4) Torque for Tuning Screw > 100gf · cm

(5) Temperature Condition:  
 Operating Temperature 0°C ~ +60°C  
 Storage Temperature -20°C ~ +70°C

(6) Input Power > 1Watt

(7) Measuring Circuit: ※Easy to match Impedance S11/S22 50Ω by parallel with about(0 pF) / ( 2 pF).



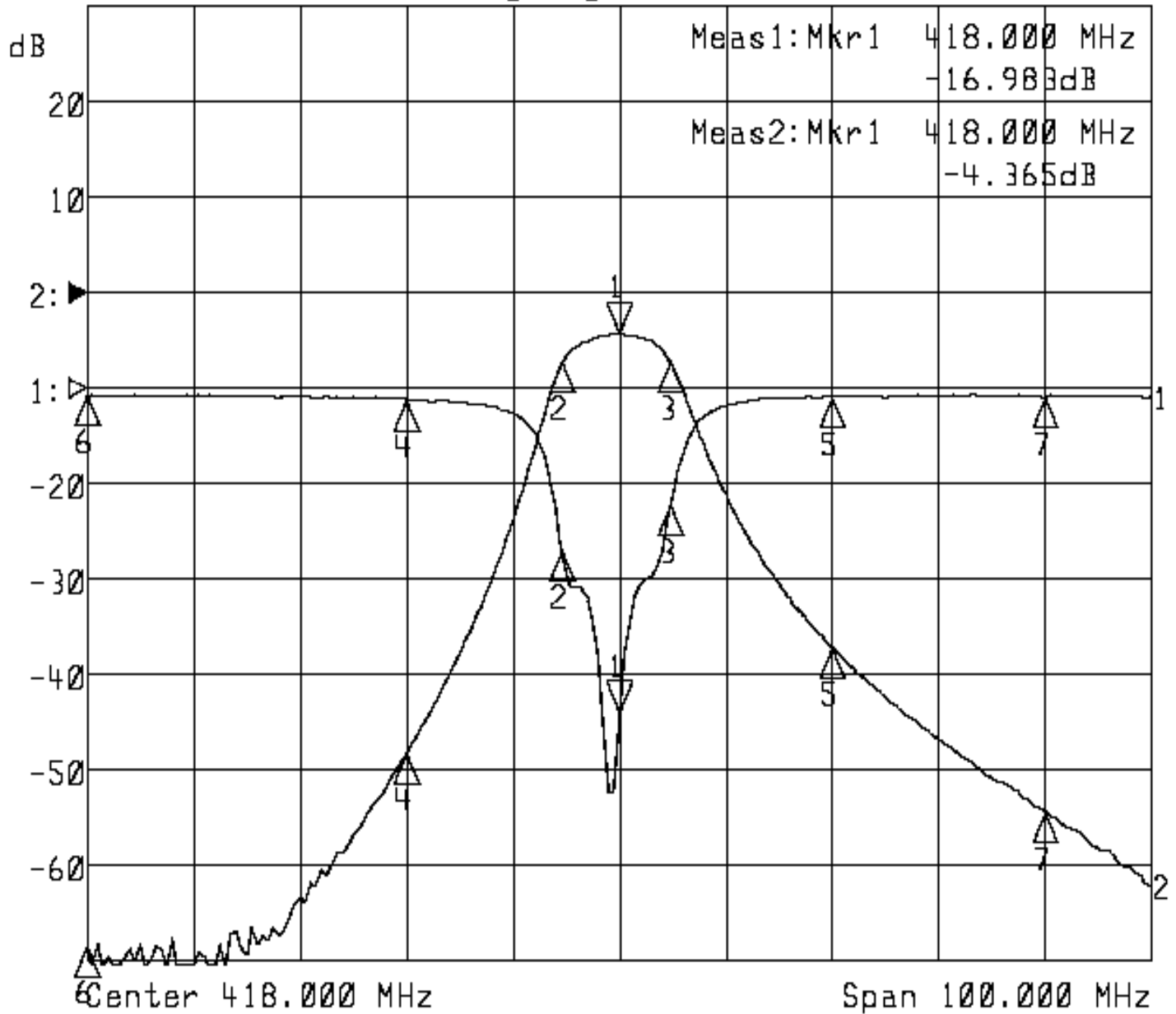
Approval C.Y.Chang	Supervisor C.S.Chang	Designer C.S.Chang	Aperture size 7H3(4*5.5)F 7H046RB4
-----------------------	-------------------------	-----------------------	--

TEMWELL CORPORATION

# Performance- TT67278B-418M

## 981136D

▶1:S11 Refl Port1 Log Mag 5.0 dB/ Ref 0.00 dB C  
 ▶2:S21 Fwd Trans Log Mag 10.0 dB/ Ref 0.00 dB C



1: Mkr (MHz)	dB	2: Mkr (MHz)	dB
1> 418.0000	-16.983	1> 418.0000	-4.365
2: 412.6333	-8.490	2: 412.6333	-7.362
3: 422.8333	-6.072	3: 422.8333	-7.289
4: 398.0000	-0.602	4: 398.0000	-48.337
5: 438.0000	-0.479	5: 438.0000	-37.203
6: 368.0000	-0.405	6: 368.0000	-68.404
7: 458.0000	-0.504	7: 458.0000	-54.382