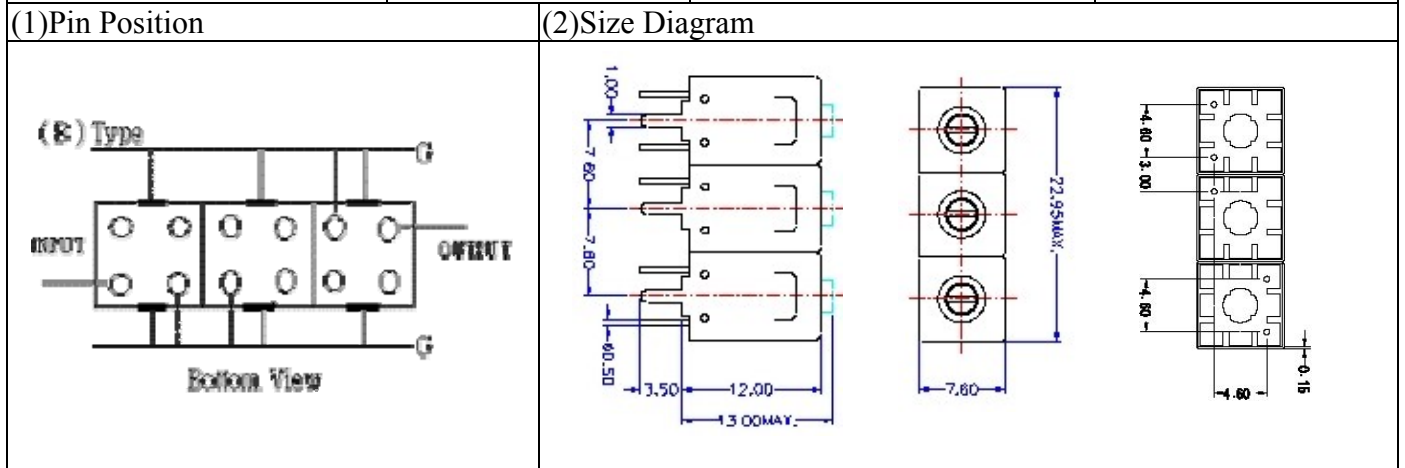
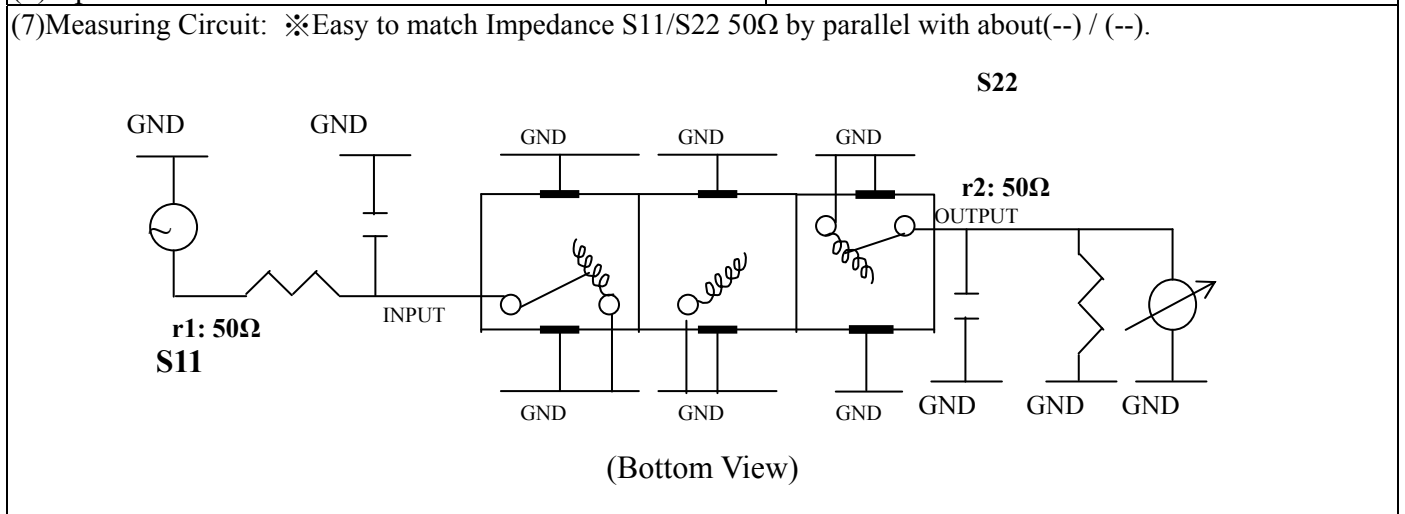


# VHF UHF Helical Filter Specification Sheet

Customer Name		Temwell's Part No.	TT67277B1-250M
Approval No. /dated	201006054CD	Customer's Print Name.	67277B1 250M
Work Instruction No.	201006054CD	Date	June.22.2010



(3) Electric Characteristic					
Item		Specify		Performance	
Center Freq.(Fo) +/- 0.5 %		250 MHz		250 MHz	
Insertion Loss		Typ. 2.5 dB		1.01 dB	
-3 dB Bandwidth		Typ. 35 MHz		38.8 MHz	
Sensitivity (Attenuation)	Fo - 50 MHz	Typ. 25 dBc		30 dBc	
	Fo + 50 MHz	Typ. 15 dBc		20 dBc	
	Fo - ( )MHz	Typ. dBc		dBc	
	Fo +( )MHz	Typ. dBc		dBc	
Return Loss		Min. 12 dB		22.0 dB	
Ripple		< 1 dB		dB	
Impedance		In / Out : 50 Ω		In / Out : 50 Ω	
(4) Torque for Tuning Screw		> 100gf · cm			
(5) Temperature Condition:					
Operating Temperature		0°C ~ +60°C			
Storage Temperature		-20°C ~ +70°C			
(6) Input Power		> 1Watt			



Approval	Supervisor	Designer	Aperture size
C.Y.Chang	C.K.Chang	P.H.Chiang	7H3S(4*5.5)(5.59) (7H024RB6.5)

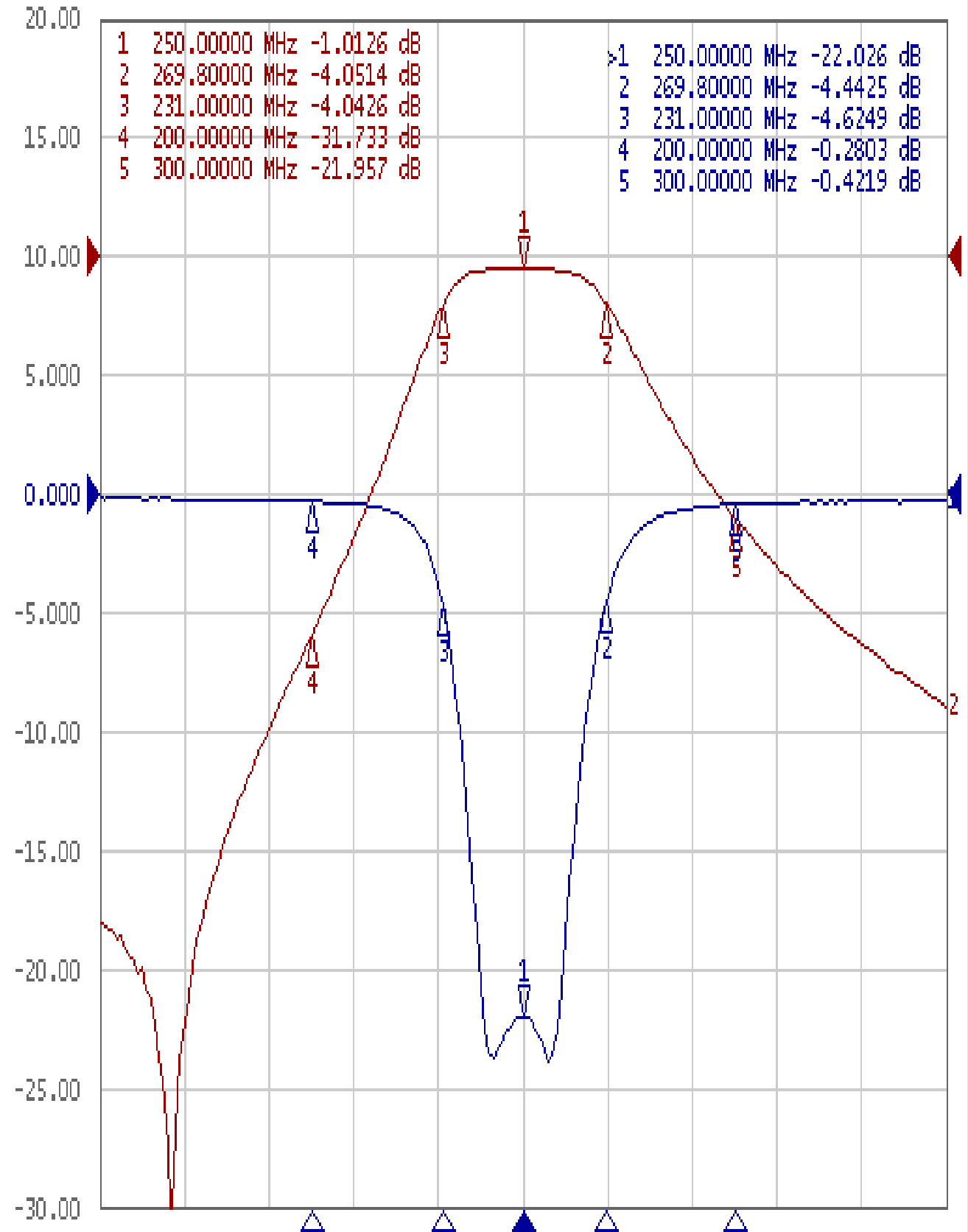
TEMWELL CORPORATION

# Performance-TT67277B1-250M

## 201006054CD

Tr1 S11 Log Mag 5.000dB/ Ref 0.000dB [F2]

Tr2 S21 Log Mag 10.00dB/ Ref 0.000dB [F2]



1 Center 250 MHz

IFBW 70 kHz

Span 200 MHz Cor