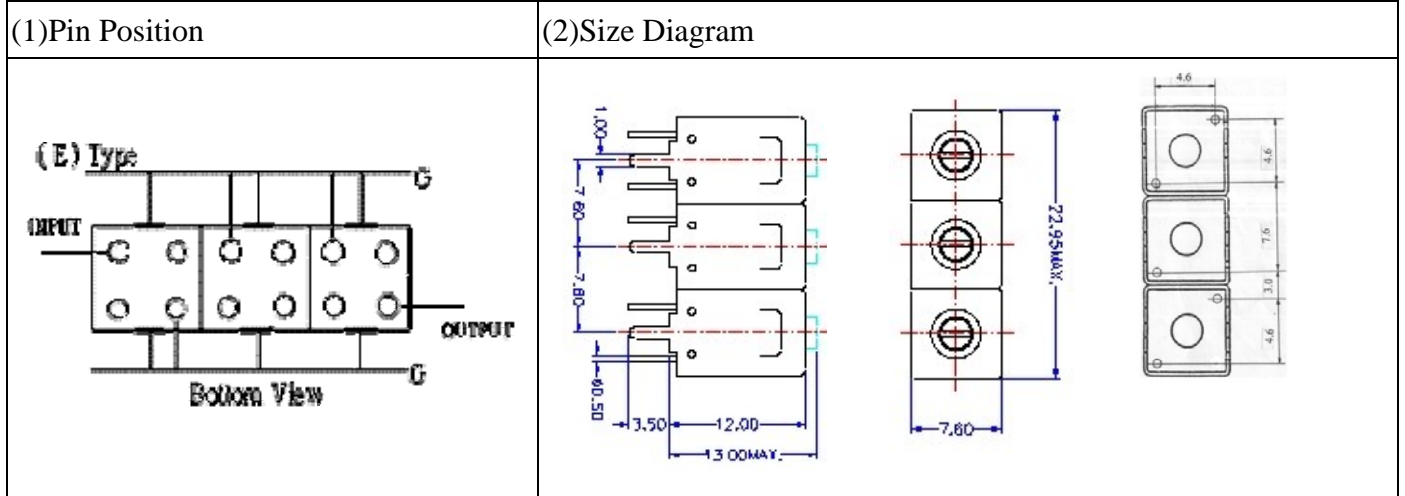


# VHF UHF Helical Filter Specification Sheet

Customer Name		Temwell's Part No.	TT67275E2-390M
Approval No. /dated	0708050C	Acceptable Specify Fo. Range	356~400MHz
Work Instruction No.	0708050C	Date	Oct.12.2007



(3) Electric Character

Item	Specify	Performance
Center Freq.(Fo ) +/- 0.5 %	390 MHz	390 MHz
Tunable Range	390±4 MHz	390±4 MHz
Insertion Loss	Typ. 3.0 dB	2.59 dB
-1 dB Bandwidth	Typ. 6 MHz	8.3 MHz
-3 dB Bandwidth	Typ. 9 MHz	11 MHz
Sensitivity (Attenuation)	Fo - 30 MHz	Typ. 36 dBc
	Fo + 30 MHz	Typ. 39 dBc
	Fo - ( )MHz	Typ. dBc
	Fo +( )MHz	Typ. dBc
Return Loss	Min. 12 dB	28.6 dB
Ripple	< 1 dB	dB
Impedance	In / Out : 50 Ω	In / Out : 50 Ω

(4) Torque for Tuning Screw > 100gf · cm

(5) Temperature Condition:

Operating Temperature	0°C ~ +60°C
Storage Temperature	-20°C ~ +70°C

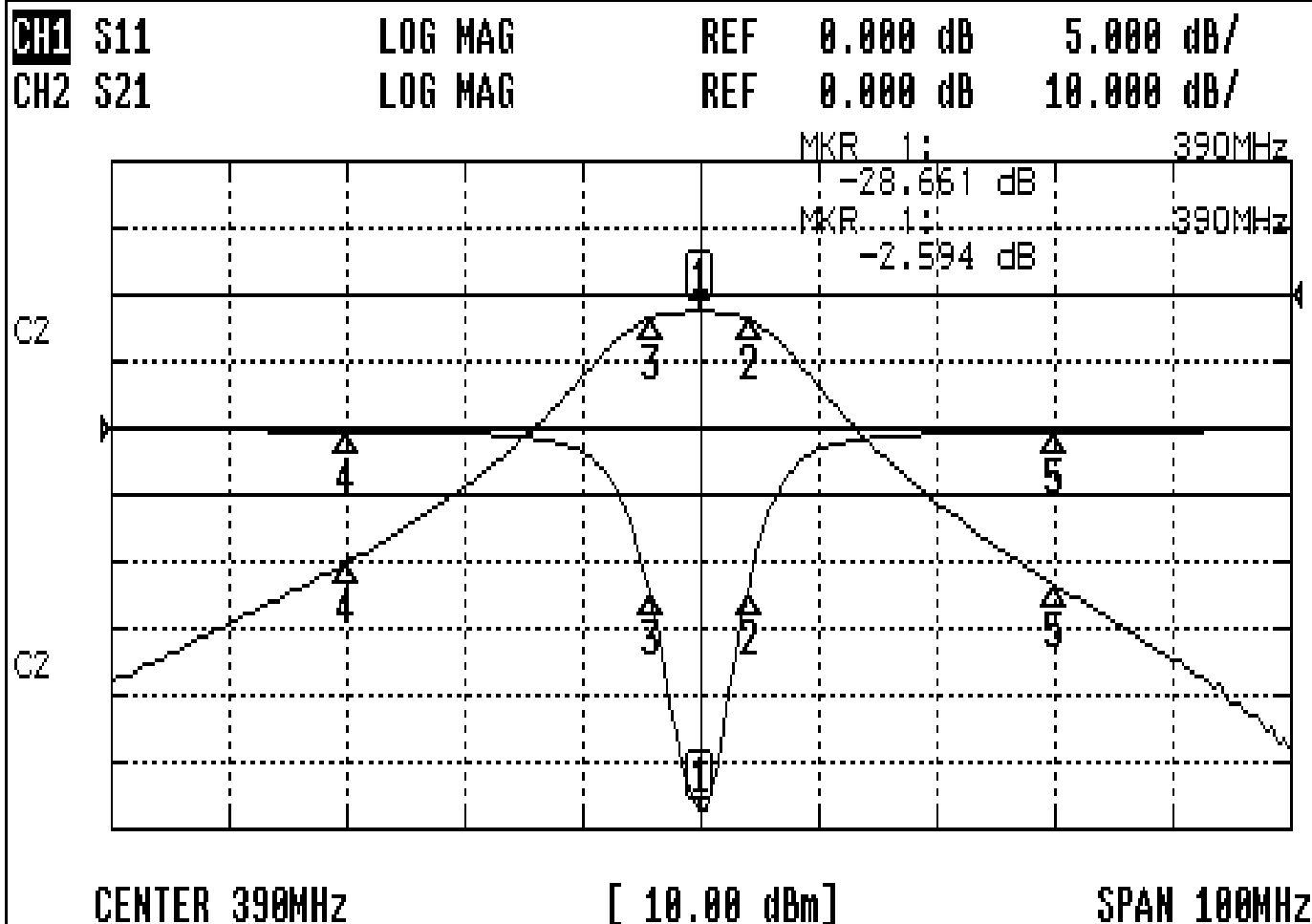
(6) Input Power > 1Watt

Approval	Supervisor	Designer	Aperture size
C.Y.Chang	C.S.Chang	J.F.Lin	7H3S(4*5.5)F 7H046LB4 聚 3

TEMWELL CORPORATION

# Performance-TT67275E2-390M

## 0708050C



### CH1 MARKER LIST

1:	390.000MHz	-28.661 dB
2:	394.000MHz	-12.328 dB
3:	385.750MHz	-12.497 dB
4:	360.000MHz	-0.181 dB
5:	420.000MHz	-0.219 dB

### CH2 MARKER LIST

1:	390.000MHz	-2.596 dB
2:	394.000MHz	-3.572 dB
3:	385.750MHz	-3.519 dB
4:	360.000MHz	-40.134 dB
5:	420.000MHz	-43.466 dB