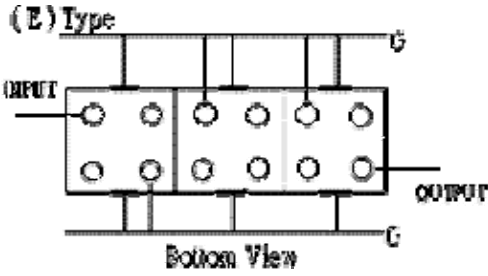
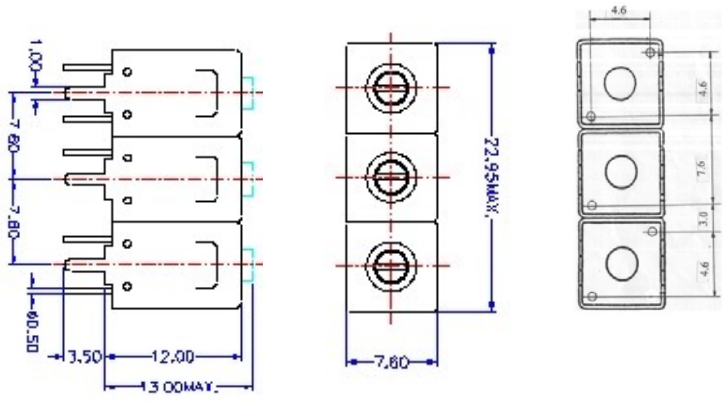


VHF UHF Helical Filter Specification Sheet

Customer Name		Temwell's Part No.	TT67275E-320M
Approval No. /dated	20011027B	Acceptable Specify Fo. Range	311~355MHz
Work Instruction No.	20011027B	Date	Nov.15.2000

(1)Pin Position	(2)Size Diagram
 <p style="text-align: center;">(E) Type Bottom View</p>	

(3)Electric Character

Item	Specify	Performance
Center Freq.(Fo) +/- 0.75 %	320 MHz	320 MHz
Insertion Loss	Typ. 4 dB	2.7 dB
-3 dB Bandwidth	Typ. 10 MHz	14.3 MHz
Sensitivity (Attenuation)	Fo - 50 MHz	Typ. 70 dBc
	Fo + 50 MHz	Typ. 54 dBc
	Fo - ()MHz	Typ. dBc
	Fo +()MHz	Typ. dBc
Return Loss	Min. 12 dB	dB
Ripple	< 1 dB	14.4 dB
Impedance	In / Out : 50 Ω	In / Out : 50 Ω
(4)Torque for Tuning Screw	> 100gf • cm	

(5)Temperature Condition:

Operating Temperature	-30°C ~ +70°C
Storage Temperature	-30°C ~ +80°C

(6)Input Power

	> 1Watt
--	---------

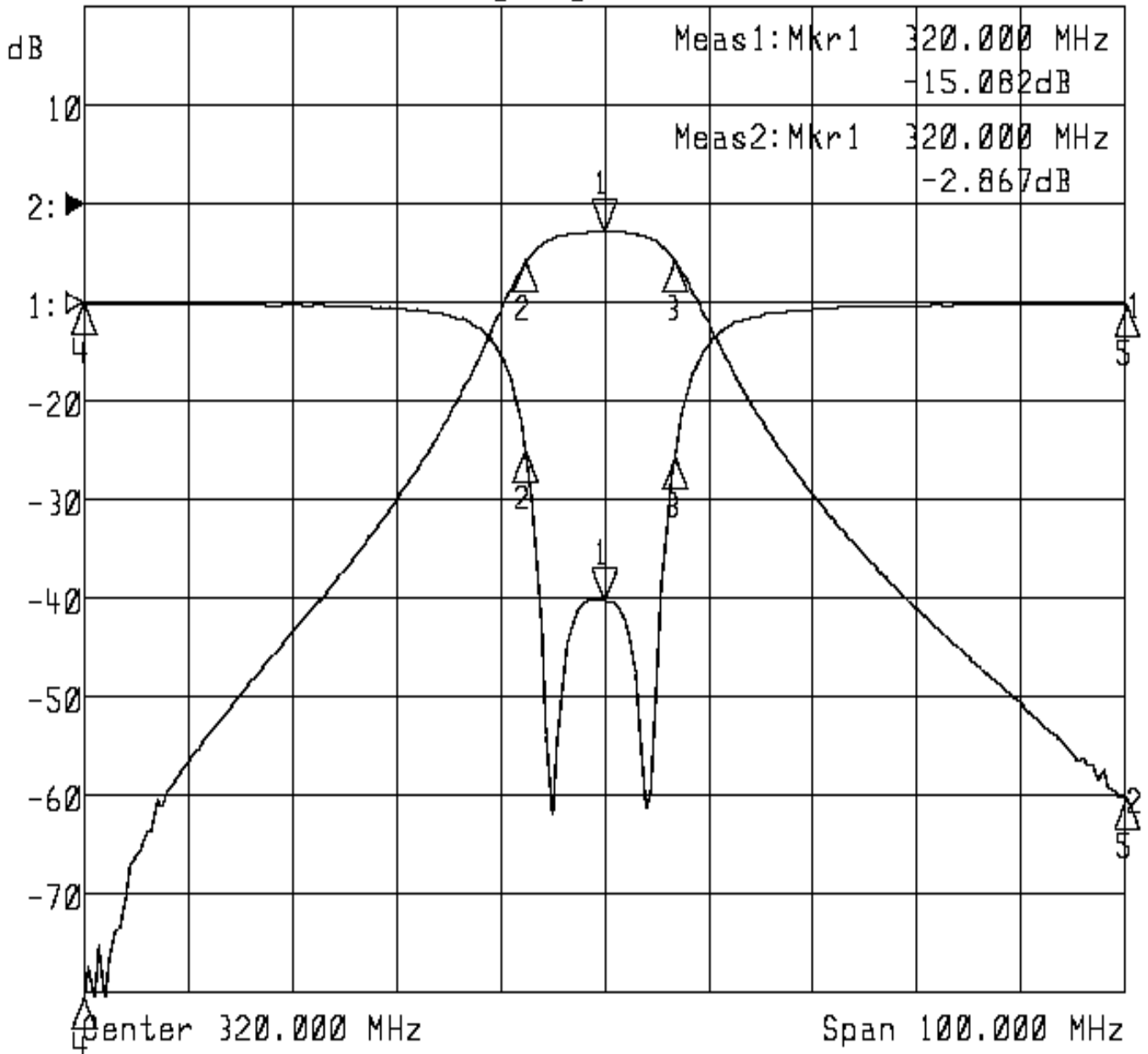
Approval	Supervisor	Designer	Aperture size
C.Y.Chang	C.S.Chang	C.S.Chang	7H3S(4*6.5)F 7H046LB4 聚 3

TEMWELL CORPORATION

Performance-TT67275E-320M

20011027B

▷1:S11 Refl Port1 Log Mag 5.0 dB/ Ref 0.00 dB C
▶2:S21 Fwd Trans Log Mag 10.0 dB/ Ref 0.00 dB C



1: Mkr (MHz)	dB	2: Mkr (MHz)	dB
1> 320.0000	-15.082	1> 320.0000	-2.867
2: 312.4667	-7.508	2: 312.4667	-5.852
3: 326.7667	-7.868	3: 326.7667	-5.745
4: 270.0000	-0.060	4: 270.0000	-80.982
5: 370.0000	-0.086	5: 370.0000	-60.286