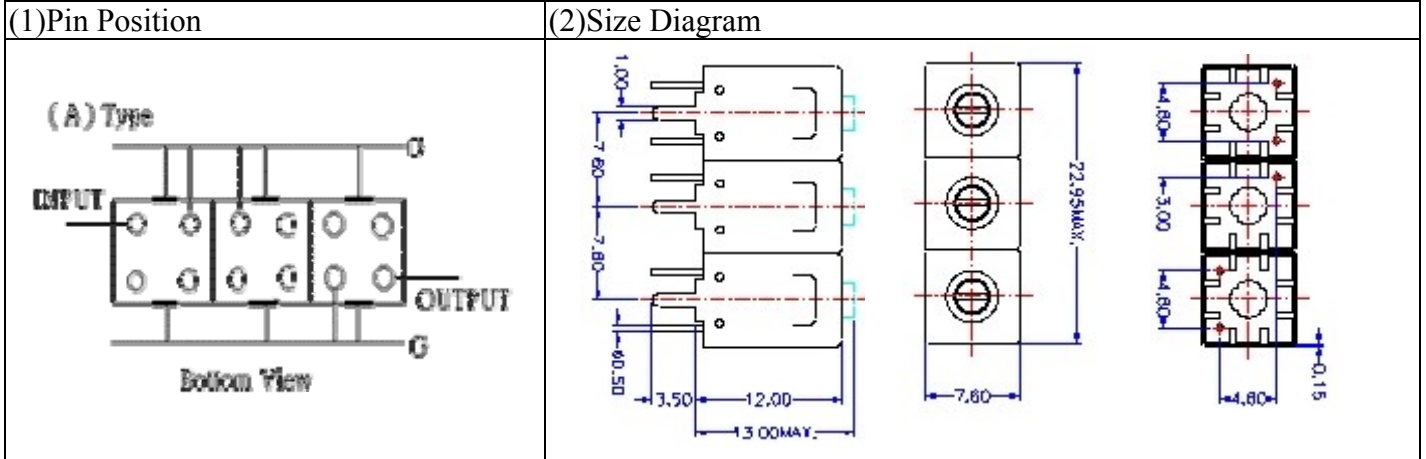


VHF UHF Helical Filter Specification Sheet

Customer Name		Temwell's Part No.	TT67263A-890M
Approval No. /dated	20403063B	Acceptable Specify Fo Range	861~900MHz
Work Instruction No.	20403063B	Date	Mar.22.2004



(3) Electric Chararistic

Item	Specify	Performance
Center Freq.(Fo) +/- 0.5 %	890 MHz	890 MHz
Tunable Range:	890±5 MHz	890±5 MHz
Insertion Loss	Typ. 2.0 dB	1.49 dB
-3 dB Bandwidth	Typ. 43 MHz	48 MHz
Sensitivity (Attenuation)	Fo - 50 MHz	Typ. 22 dBc
	Fo + 50 MHz	Typ. 13 dBc
	Fo - ()MHz	Typ. dBc
	Fo +()MHz	Typ. dBc
Return Loss	Min. 12 dB	25.9 dB
Ripple	< 1 dB	dB
Impedance	In / Out : 50 Ω	In / Out : 50 Ω

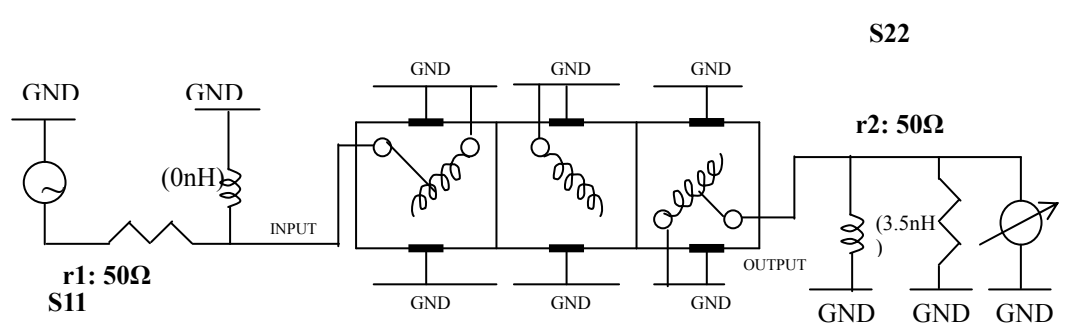
(4) Torque for Tuning Screw > 100gf · cm

(5) Temperature Condition:

Operating Temperature	0°C ~ +60°C
Storage Temperature	-20°C ~ +70°C

(6) Input Power > 1Watt

(7) Measuring Circuit: ※Easy to match Impedance S11/S22 50Ω/ by parallel with about(0~1nH) / (0~4 nH).



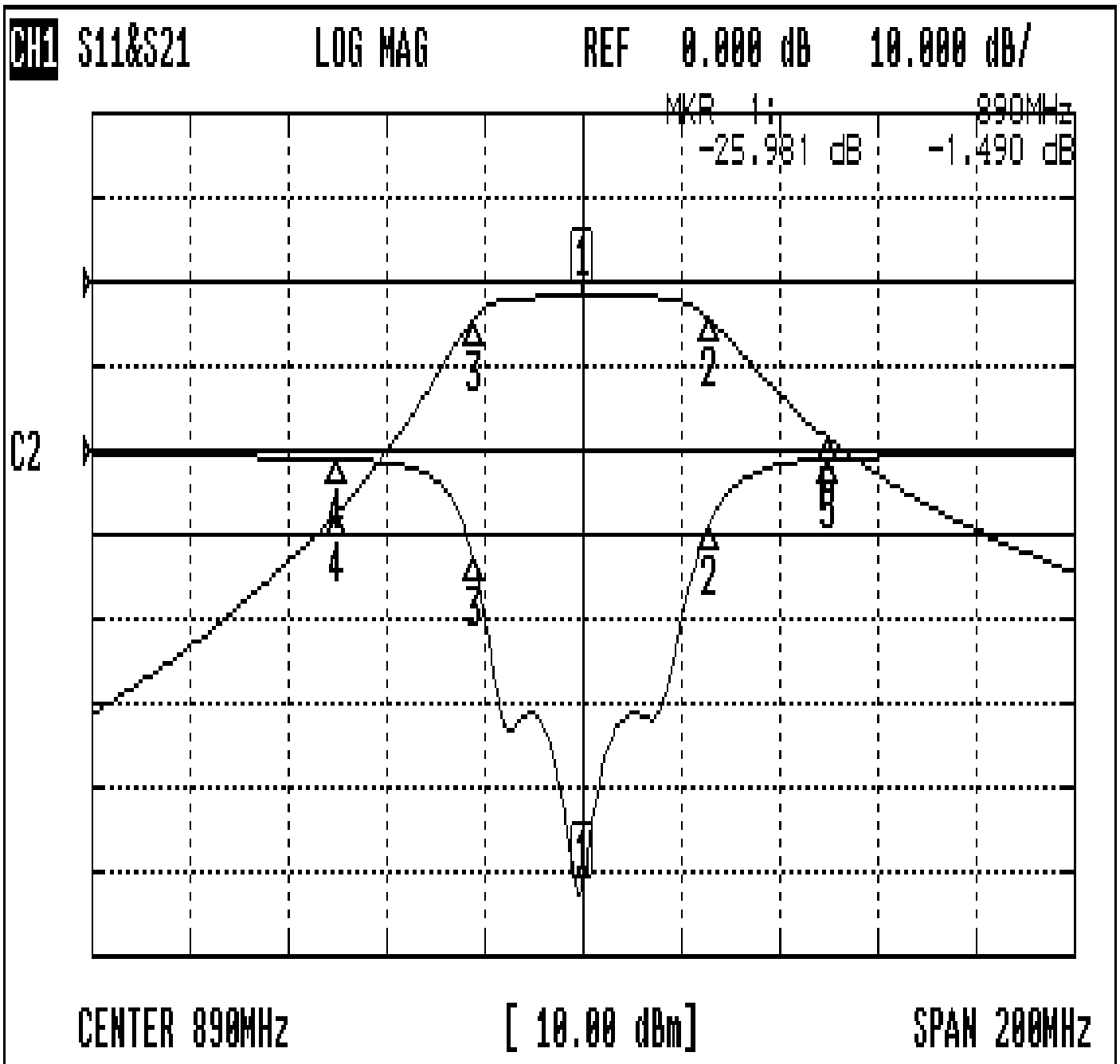
(Bottom View)

Approval	Supervisor	Designer	Aperture size
C.Y.Chang	C.S.Chang	P.H.Ching	7H3(4*5.5)(5.10) 7H046LB5

TEMWELL CORPORATION

Performance-TT67263A-890M

20403063B



CH1 MARKER LIST

1:	890.000MHz	-25.981 dB	-1.490 dB
2:	915.833MHz	-4.363 dB	-4.465 dB
3:	867.833MHz	-6.360 dB	-4.445 dB
4:	840.000MHz	-0.510 dB	-27.362 dB
5:	940.000MHz	-0.507 dB	-18.596 dB