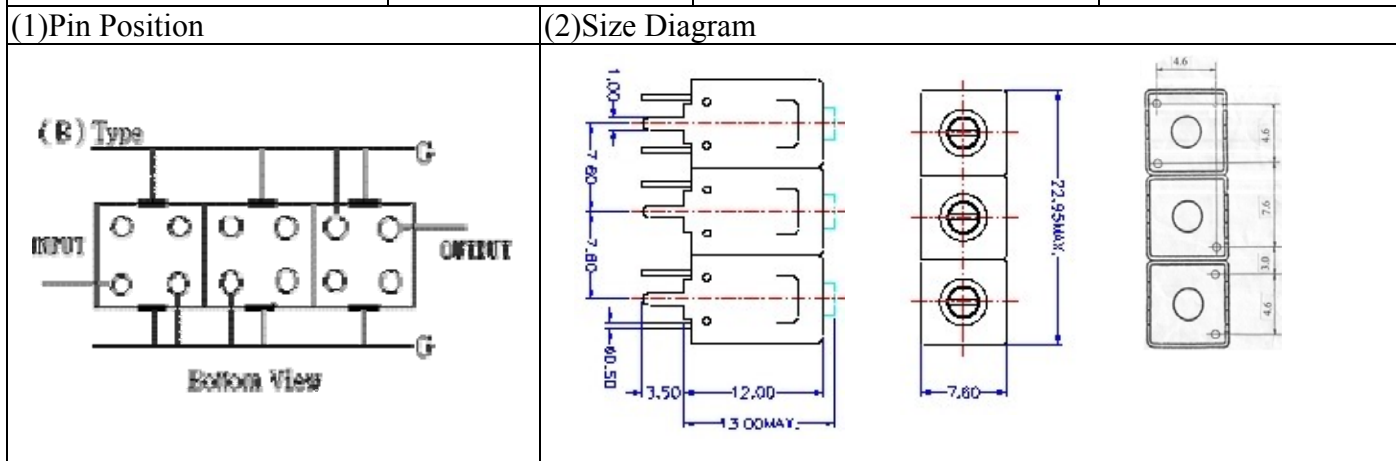


VHF UHF Helical Filter Specification Sheet

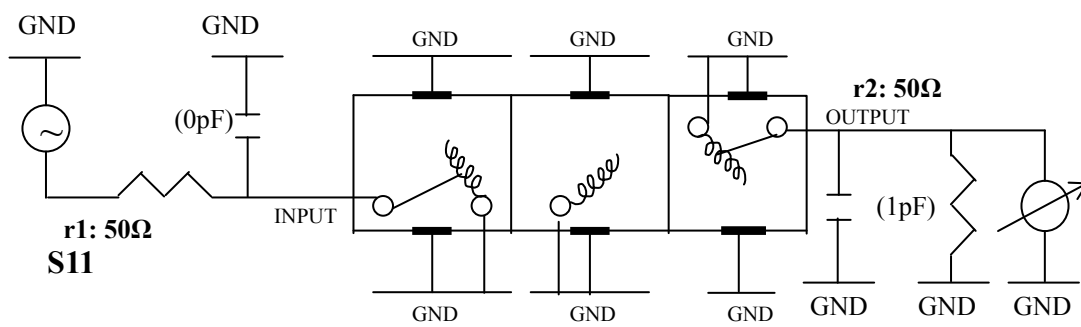
Customer Name		Temwell's Part No.	TT67261B-841M
Approval No. /dated	20501041B	Acceptable Specify Fo Range	831~860MHz
Work Instruction No.	20501041B	Date	Jan.25.2005



(3) Electric Charasteric

Item	Specify	Performance
Center Freq.(Fo) +/- 0.5 %	841 MHz	841 MHz
Tunable Range:	841±5 MHz	841±5 MHz
Insertion Loss	Typ. 2.5 dB	1.1 dB
-3 dB Bandwidth	Typ. 40 MHz	43 MHz
Sensitivity (Attenuation)	Fo - 100 MHz	Typ. 46 dBc
	Fo + 100 MHz	Typ. 29 dBc
	Fo - ()MHz	Typ. dBc
	Fo +()MHz	Typ. dBc
Return Loss	Min. 12 dB	27.8 dB
Ripple	< 1 dB	dB
Impedance	In / Out : 50 Ω	In / Out : 50 Ω
(4) Torque for Tuning Screw	> 100gf · cm	
(5) Temperature Condition:		
Operating Temperature	0°C ~ +60°C	
Storage Temperature	-20°C ~ +70°C	
(6) Input Power	> 1 Watt	

(7) Measuring Circuit: ※Easy to match Impedance S11/S22 50Ω by parallel with about(0 pf/ (0~1pf).
S22



(Bottom View)

Approval	Supervisor	Designer	Aperture size
C.Y.Chang	C.S.Chang	C.S.Chang	7H3(4*8.0)(8.01) 7H046RB4

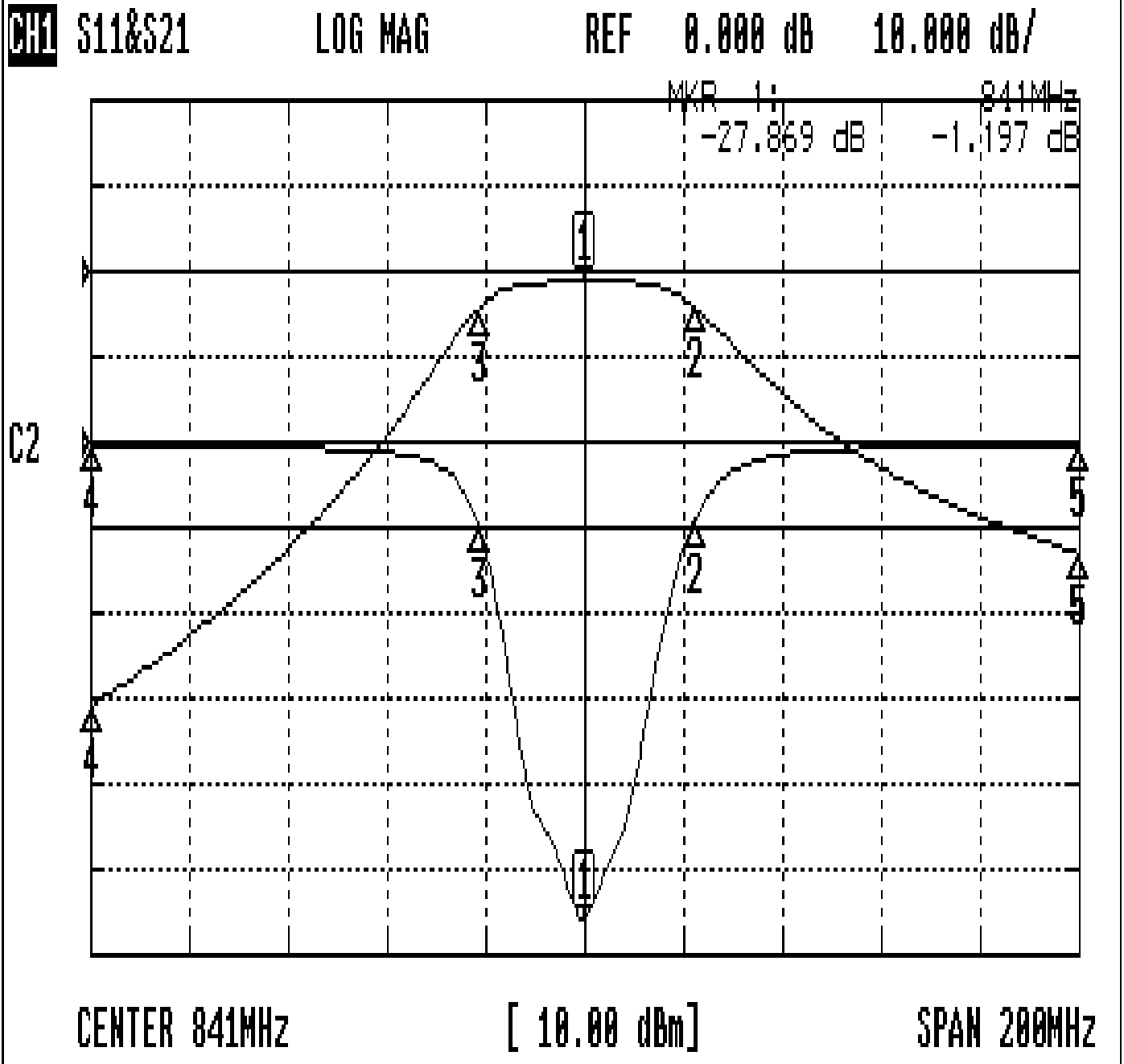
TEMWELL CORPORATION

TEMWELL

Form10-7H3B Vision D

Performance-TT67261B-841M

20501041B



CH1 MARKER LIST

1:	841.000MHz	-27.869 dB	-1.197 dB
2:	863.333MHz	-4.601 dB	-4.180 dB
3:	819.833MHz	-5.103 dB	-4.142 dB
4:	741.000MHz	-0.252 dB	-50.696 dB
5:	941.000MHz	-0.305 dB	-32.942 dB