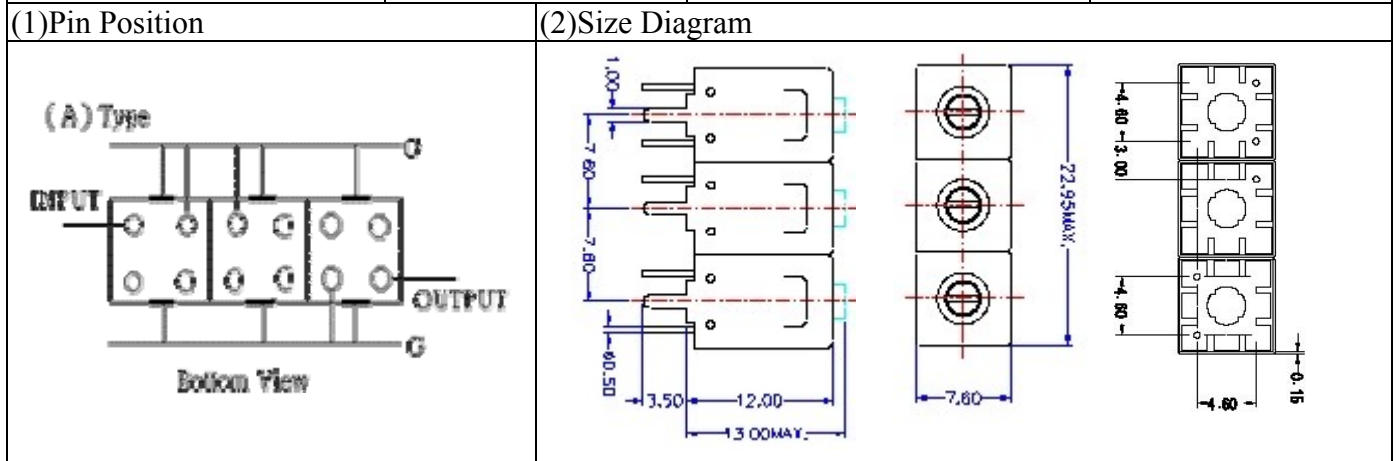
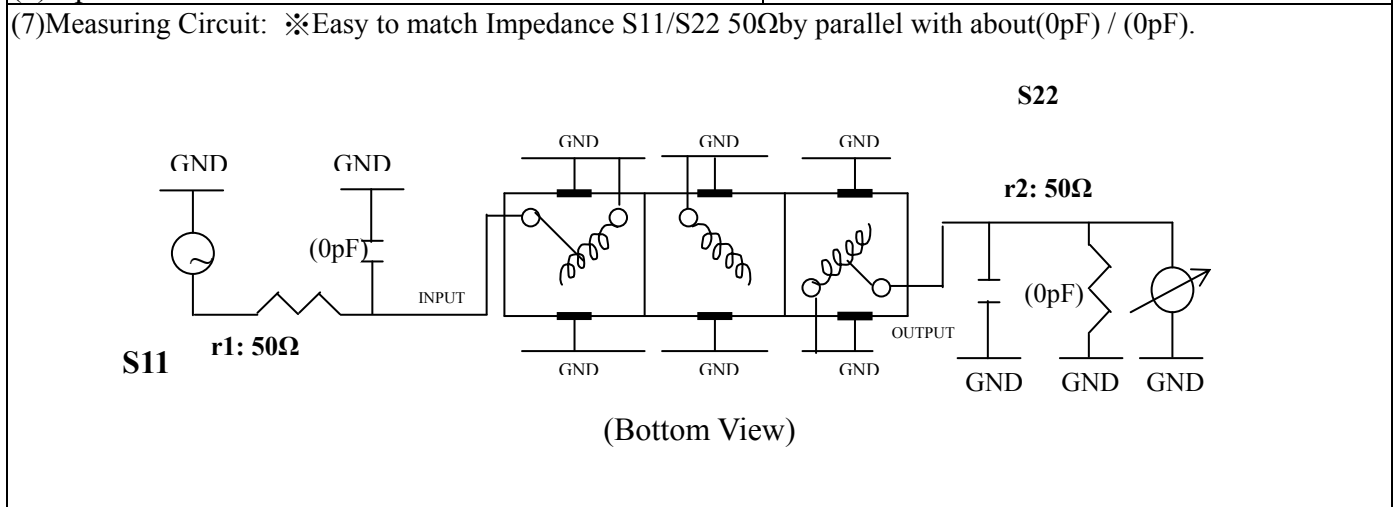


VHF UHF Helical Filter Specification Sheet

Customer Name		Temwell's Part No.	TT67261A-836M
Approval No. /dated	0901116CD	Customer's Print Name.	67261A 836M
Work Instruction No.	200901116CD	Date	Feb.02.2009



(3) Electric Characteristic		Item	Specify	Performance
		Center Freq.(Fo) +/- 0.5 %	836 MHz	836 MHz
		Tunable Range:	836±5 MHz	836±5 MHz
		Insertion Loss	Typ. 2.5 dB	1.51 dB
		-3 dB Bandwidth	Typ. 35 MHz	41.6 MHz
Sensitivity (Attenuation)	Fo - 50 MHz	Typ. 23 dBc		26 dBc
	Fo + 50 MHz	Typ. 14 dBc		17 dBc
	Fo - ()MHz	Typ. dBc		dBc
	Fo +()MHz	Typ. dBc		dBc
		Return Loss	Min. 12 dB	22.2 dB
		Ripple	< 1 dB	dB
		Impedance	In / Out : 50 Ω	In / Out : 50 Ω
(4) Torque for Tuning Screw		> 100gf · cm		
(5) Temperature Condition:				
Operating Temperature		-0°C ~ +60°C		
Storage Temperature		-20°C ~ +70°C		
(6) Input Power		> 1Watt		



Approval	Supervisor	Designer	Aperture size
C.Y.Chang	C.S.Chang	C.S.Chang	7H3S(4*7.5F)(7.59) 7H046LB4.3 聚 3

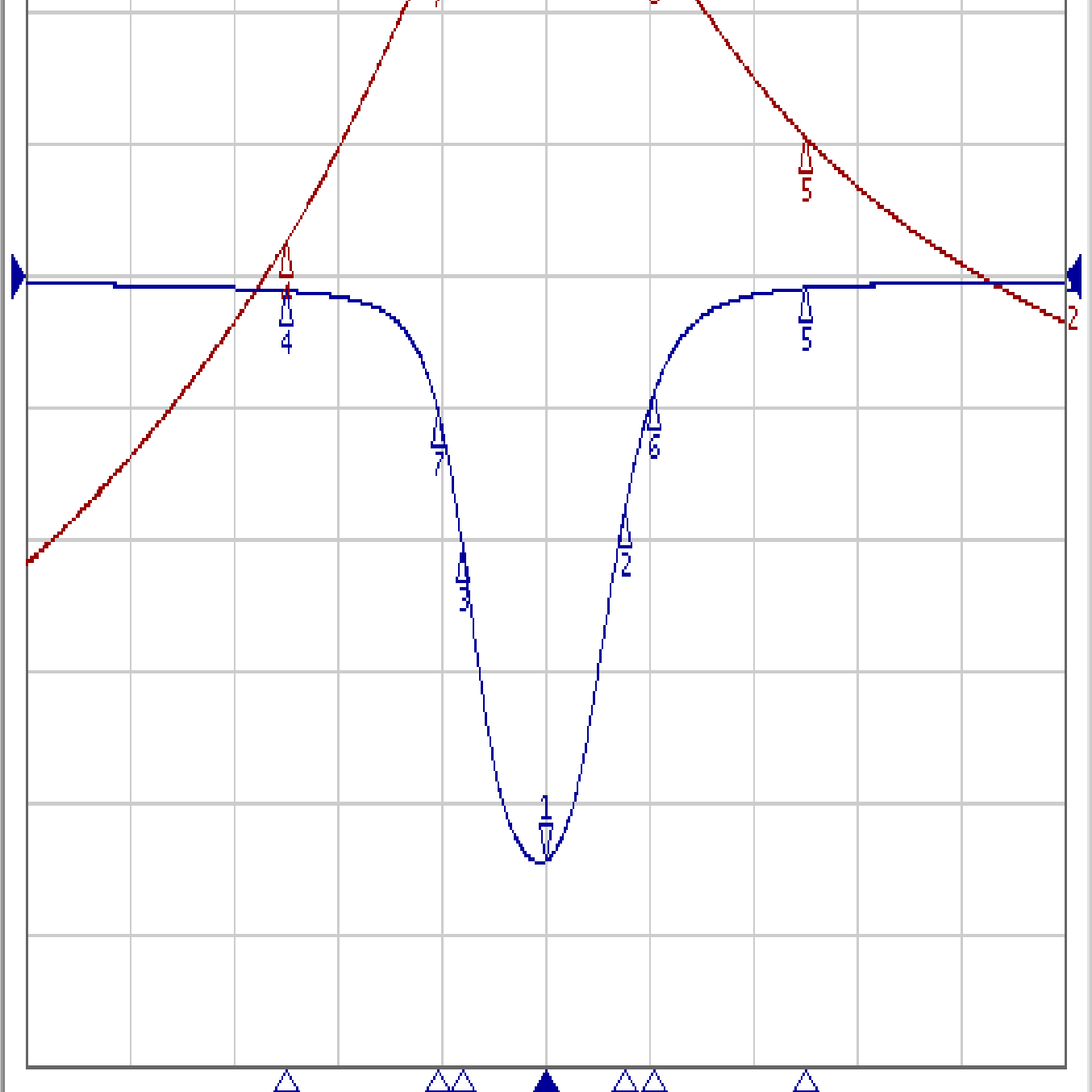
TEMWELL CORPORATION

Performance-TT67261A-836M

200901116CD

Tr1 511 Log Mag 5.000dB/ Ref 0.000dB [F3]
Tr2 521 Log Mag 10.00dB/ Ref 0.000dB [F3]

1	836.00000 MHz	-1.5122 dB	>1	836.00000 MHz	-22.206 dB
2	851.27200 MHz	-2.5149 dB	2	851.27200 MHz	-8.9394 dB
3	820.05250 MHz	-2.5634 dB	3	820.05250 MHz	-10.268 dB
4	786.00000 MHz	-27.460 dB	4	786.00000 MHz	-0.5486 dB
5	886.00000 MHz	-19.366 dB	5	886.00000 MHz	-0.4401 dB
6	856.94200 MHz	-4.4726 dB	6	856.94200 MHz	-4.4441 dB
7	815.34900 MHz	-4.6024 dB	7	815.34900 MHz	-5.1210 dB



1 Center 836 MHz

IFBW 10 kHz

Span 200 MHz

C7 !