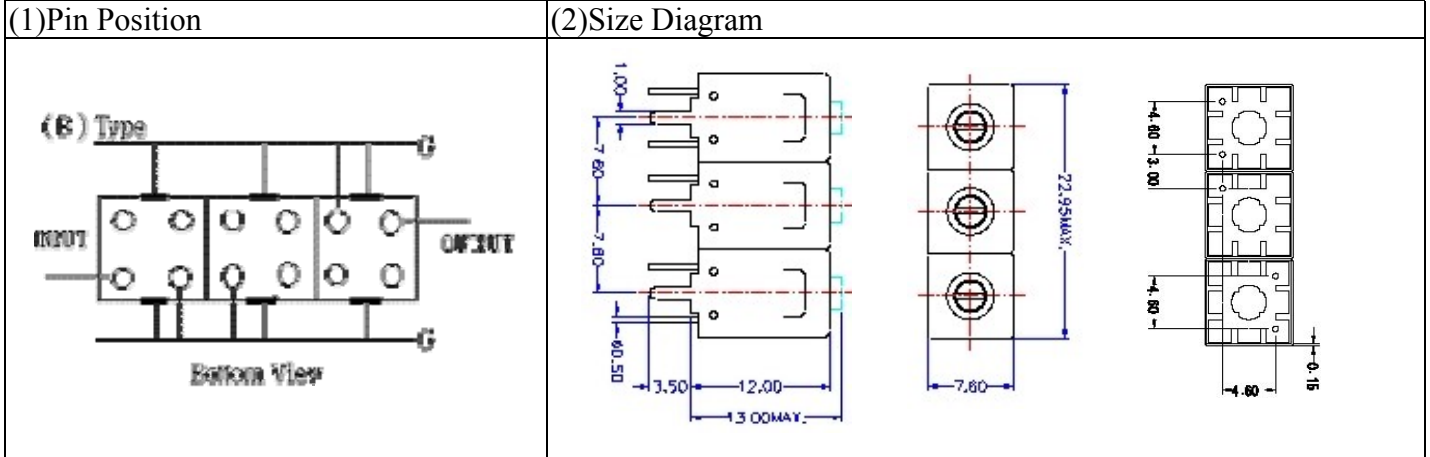
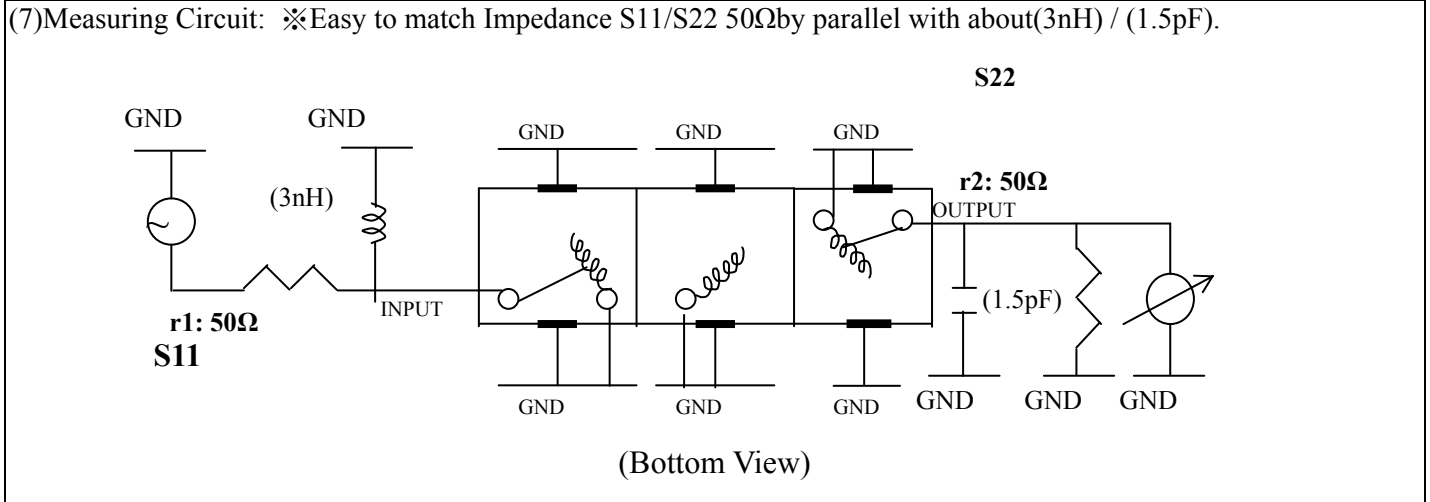


VHF UHF Helical Filter Specification Sheet

Customer Name		Temwell's Part No.	TT67256B-427.5M
Approval No. /dated	2008100B	Acceptable Specify Fo Range	401~455MHz
Work Instruction No.	2008100B	Date	Aug.17.2000



(3) Electric Characteristic			
Item		Specify	Performance
Center Freq.(Fo) +/- 0.5 %		427.5 MHz	427.5 MHz
Tunable Range:		427.5±5 MHz	427.5±5 MHz
Insertion Loss		Typ. 2.0 dB	0.50 dB
-3 dB Bandwidth		Typ. 40 MHz	46 MHz
Sensitivity (Attenuation)	Fo - 80 MHz	Typ. 38 dBc	41 dBc
	Fo + 80 MHz	Typ. 27 dBc	30 dBc
	Fo - ()MHz	Typ. dBc	dBc
	Fo +()MHz	Typ. dBc	dBc
Return Loss		Min. 12 dB	19.2 dB
Ripple		< 1 dB	dB
Impedance		In / Out : 50 Ω	In / Out : 50 Ω
(4) Torque for Tuning Screw		> 100gf · cm	
(5) Temperature Condition:			
Operating Temperature		0°C ~ +60°C	
Storage Temperature		-20°C ~ +70°C	
(6) Input Power		> 1 Watt	



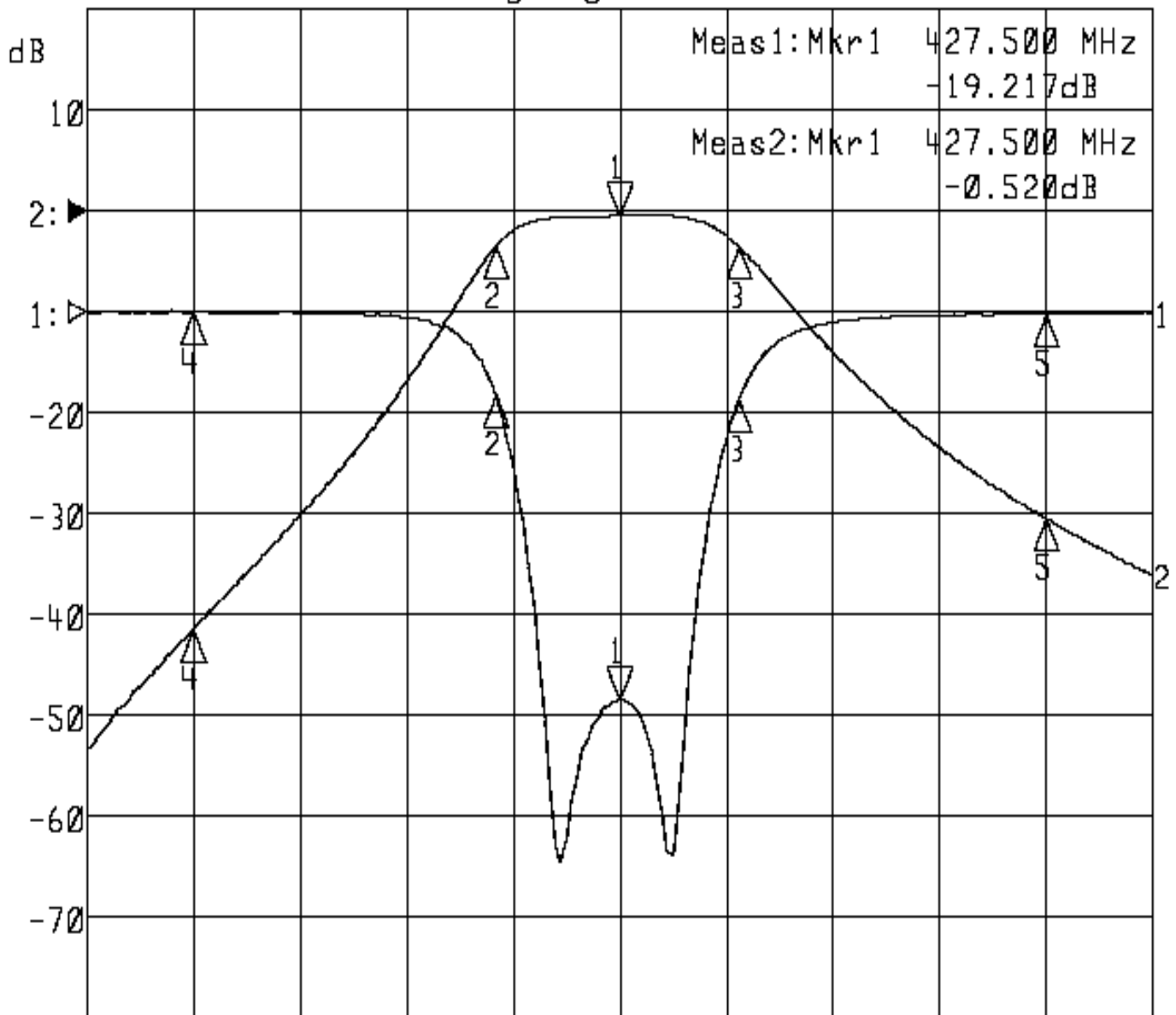
Approval	Supervisor	Designer	Aperture size
C.Y.Chang	C.S.Chang	C.S.Chang	7H3S,4*8.0 7H046LB5

TEMWELL CORPORATION

Performance-TT67256B-427.5M

2008100B

▶1:S11 Refl Port1 Log Mag 5.0 dB/ Ref 0.00 dB C
▶2:S21 Fwd Trans Log Mag 10.0 dB/ Ref 0.00 dB C



Center 427.500 MHz

Span 200.000 MHz

1:Mkr (MHz)	dB	2:Mkr (MHz)	dB
1> 427.5000	-19.217	1> 427.5000	-0.520
2: 404.2333	-4.099	2: 404.2333	-3.507
3: 449.9000	-4.324	3: 449.9000	-3.505
4: 347.5000	-0.035	4: 347.5000	-41.493
5: 507.5000	-0.101	5: 507.5000	-30.507