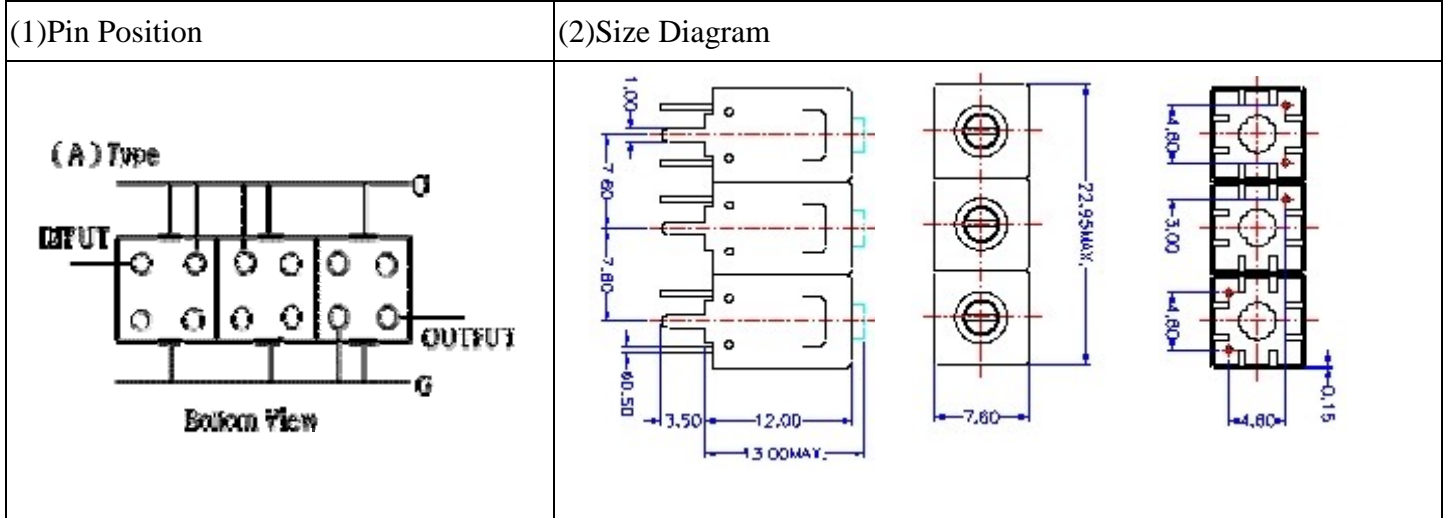


VHF UHF Helical Filter Specification Sheet

Customer Name		Temwell's Part No.	TT67251A-997M
Approval No. /dated	P0005039B	Acceptable Specify Fo. Range	976~1000MHz
Work Instruction No.	P0005039B	Date	May.15.2000



(3) Electric Character			
Item	Specify	Performance	
Center Freq.(Fo) +/- 0.5 %	997 MHz	997	MHz
Tunable Range	997±5 MHz	997±5	MHz
Insertion Loss	Typ. 4.5 dB	3.2	dB
-3 dB Bandwidth	Typ. 15 MHz	22	MHz
Sensitivity (Attenuation)	Fo - 30 MHz	Typ. 20	dBc
	Fo + 30 MHz	Typ. 16	dBc
	Fo - ()MHz	Typ.	dBc
	Fo +()MHz	Typ.	dBc
Return Loss	Min. 12 dB	17.9	dB
Ripple	< 1 dB		dB
Impedance	In / Out : 50 Ω	In / Out : 50 Ω	

(4) Torque for Tuning Screw > 100gf • cm

(5) Temperature Condition:	
Operating Temperature	0°C ~ +60°C
Storage Temperature	-20°C ~ +70°C

(6) Input Power > 1Watt

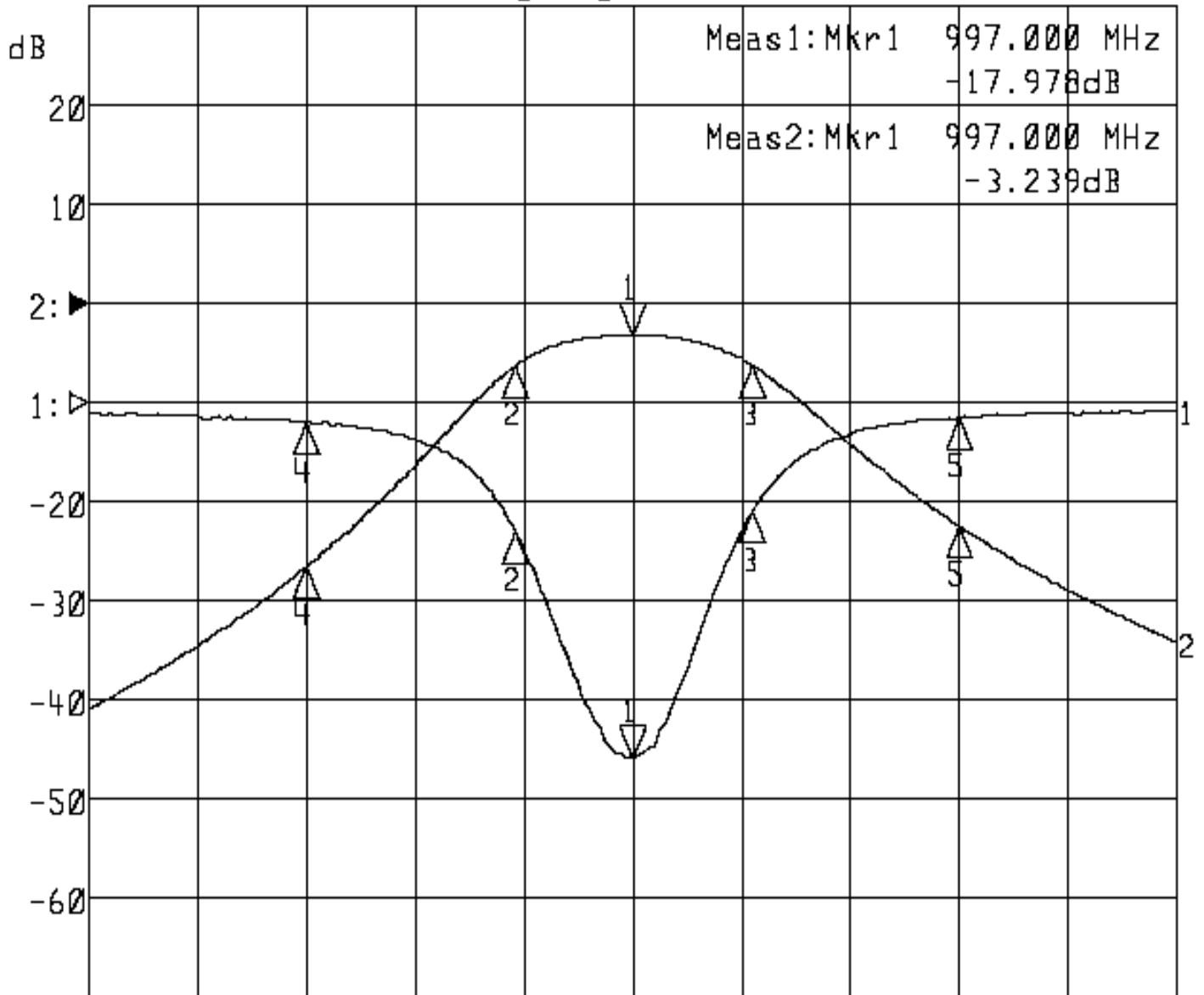
Approval	Supervisor	Designer	Aperture size
C.Y.Chang	C.S.Chang	C.S.Chang	7H3S(4*4.5) 7H046LB4 聚 3

TEMWELL CORPORATION

Performance-TT67251A-997M

P0005039B

▶1: S22 Ref1 Port2 Log Mag 5.0 dB/ Ref 0.00 dB C
 ▶2: S21 Fwd Trans Log Mag 10.0 dB/ Ref 0.00 dB C



Meas1: Mkr1 997.000 MHz
 -17.978 dB
 Meas2: Mkr1 997.000 MHz
 -3.239 dB

Center 997.000 MHz

Span 100.000 MHz

1: Mkr (MHz)	dB	2: Mkr (MHz)	dB
1> 997.0000	-17.978	1> 997.0000	-3.239
2: 986.3000	-6.534	2: 986.3000	-6.213
3: 1008.0333	-5.514	3: 1008.0333	-6.270
4: 967.0000	-1.021	4: 967.0000	-26.480
5: 1027.0000	-0.766	5: 1027.0000	-22.435