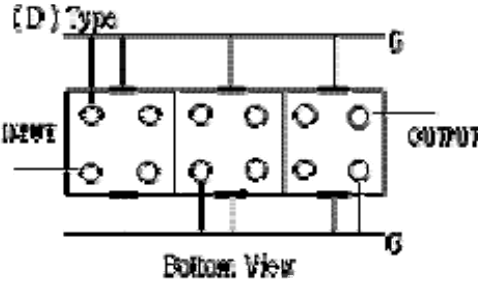
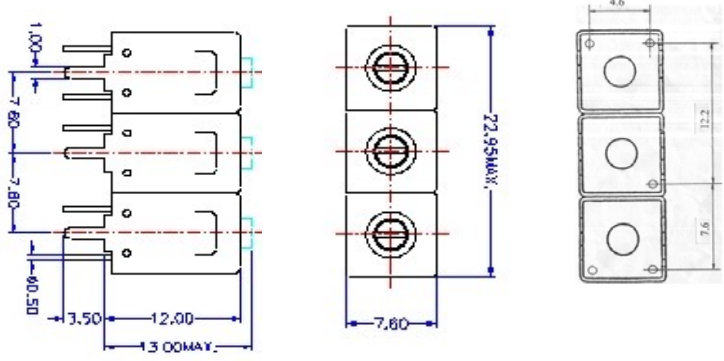


VHF UHF Helical Filter Specification Sheet

Customer Name		Temwell's Part No.	TT6724D-152M
Approval No. /dated	20501001A	Acceptable Specify Fo. Range	146~165M
Work Instruction No.	20501001A	Date	2005.01.27

<p>(1) Pin Position</p>  <p style="text-align: center;">Bottom View</p>	<p>(2) Size Diagram</p> 
---	--

(3) Electric Character			
Item	Specify	Performance	
Center Freq.(Fo) +/- 0.75 %	152 MHz	152	MHz
Tunable Range	152±2 MHz	152±2	MHz
Insertion Loss	Typ. 3.0 dB	2.0	dB
-3 dB Bandwidth	Typ. 9 MHz	10.7	MHz
Sensitivity (Attenuation)	Fo - 20 MHz	Typ. 47	dBc
	Fo + 20 MHz	Typ. 37	dBc
	Fo - ()MHz	Typ.	dBc
	Fo +()MHz	Typ.	dBc
Return Loss	Min. 12 dB	26.1	dB
Ripple	< 1 dB		dB
Impedance	In / Out : 50 Ω		In / Out : 50 Ω
(4) Torque for Tuning Screw	>100gf • cm		

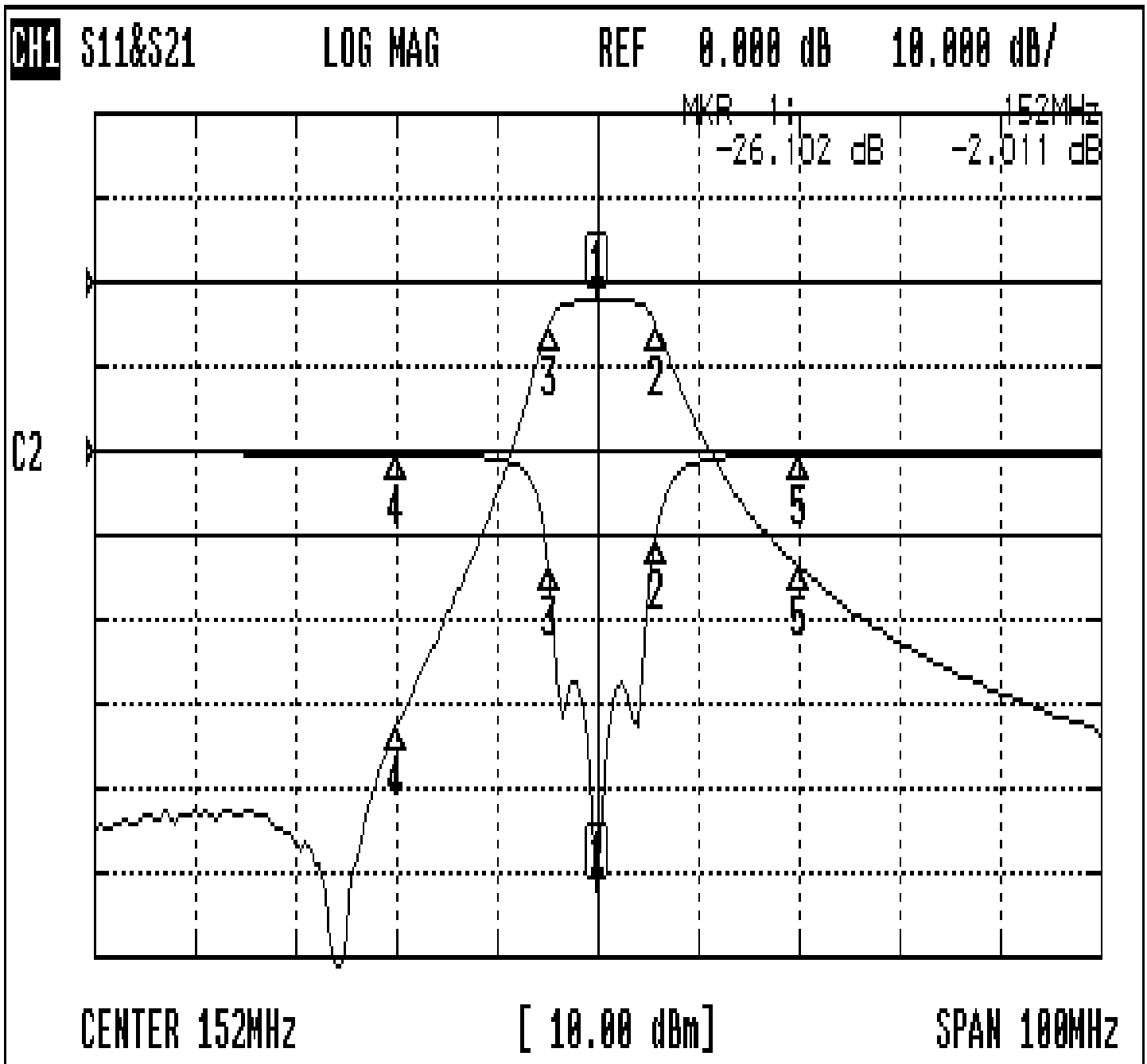
(5) Temperature Condition:	
Operating Temperature	-30°C ~ +70°C
Storage Temperature	-30°C ~ +80°C
(6) Input Power	> 1Watt

Approval	Supervisor	Designer	Aperture size
C.Y. Chang	C.S. Chang	J.F. Lin	7H3S, (4×7.5) 7H024LB4

TEMWELL CORPORATION

Performance-TT6724D-152M

20501001A



CH1 MARKER LIST

1:	152.000MHz	-26.102 dB	-2.011 dB
2:	157.833MHz	-5.116 dB	-5.191 dB
3:	147.166MHz	-6.837 dB	-5.148 dB
4:	132.000MHz	-0.187 dB	-53.150 dB
5:	172.000MHz	-0.226 dB	-33.804 dB