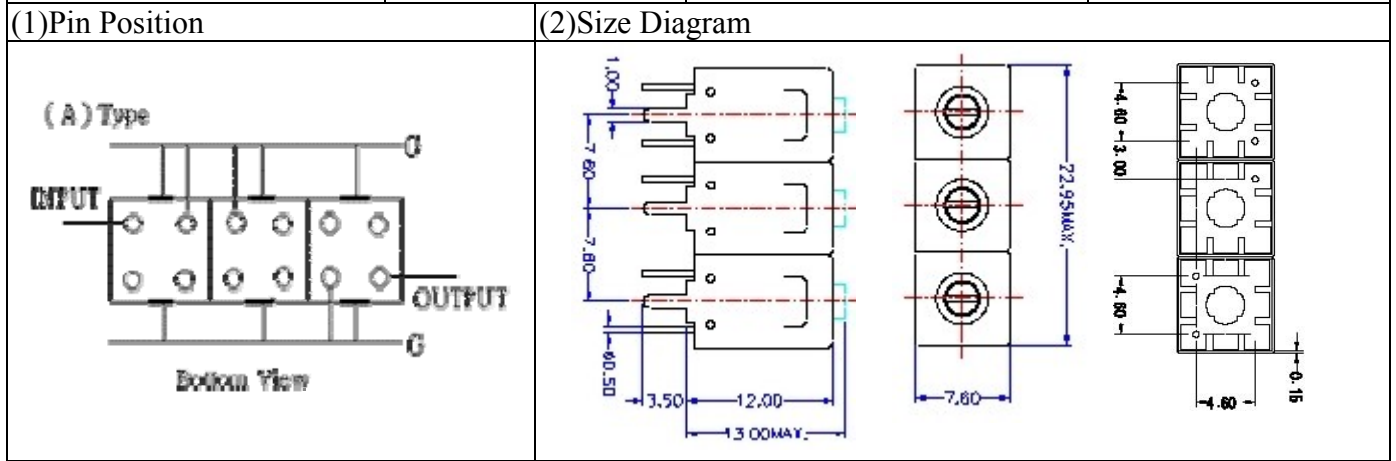


VHF UHF Helical Filter Specification Sheet

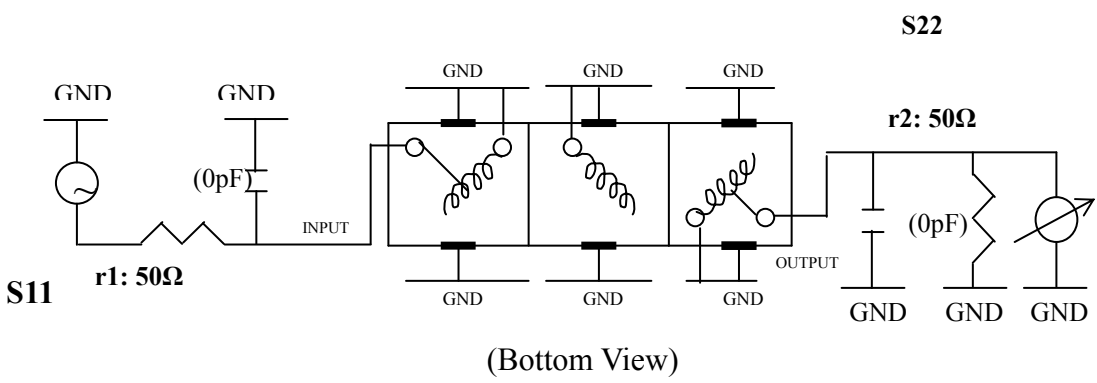
Customer Name		Temwell's Part No.	TT67248A-915M
Approval No. /dated		Customer's Print Name.	67248A 915M
Work Instruction No.	200902004A	Date	Feb.27.2009



(3) Electric Charasteric

Item	Specify	Performance	
Center Freq.(Fo) +/- 0.5 %	915 MHz	915 MHz	
Tunable Range:	915±15 MHz	915±15 MHz	
Insertion Loss	Typ. 4.5 dB	3.23 dB	
-3 dB Bandwidth	Typ. 10 MHz	16.0 MHz	
Sensitivity (Attenuation)	Fo - 50 MHz	Typ. 40 dBc	41 dBc
	Fo + 50 MHz	Typ. 30 dBc	32 dBc
	Fo - ()MHz	Typ. dBc	dBc
	Fo +()MHz	Typ. dBc	dBc
Return Loss	Min. 12 dB	30.6 dB	
Ripple	< 1 dB	dB	
Impedance	In / Out : 50 Ω	In / Out : 50 Ω	
(4) Torque for Tuning Screw	> 100gf · cm		
(5) Temperature Condition:			
Operating Temperature	0°C ~ +60°C		
Storage Temperature	-20°C ~ +70°C		
(6) Input Power	> 1Watt		

(7) Measuring Circuit: ※Easy to match Impedance S11/S22 50Ωby parallel with about(0pF) / (0pF).



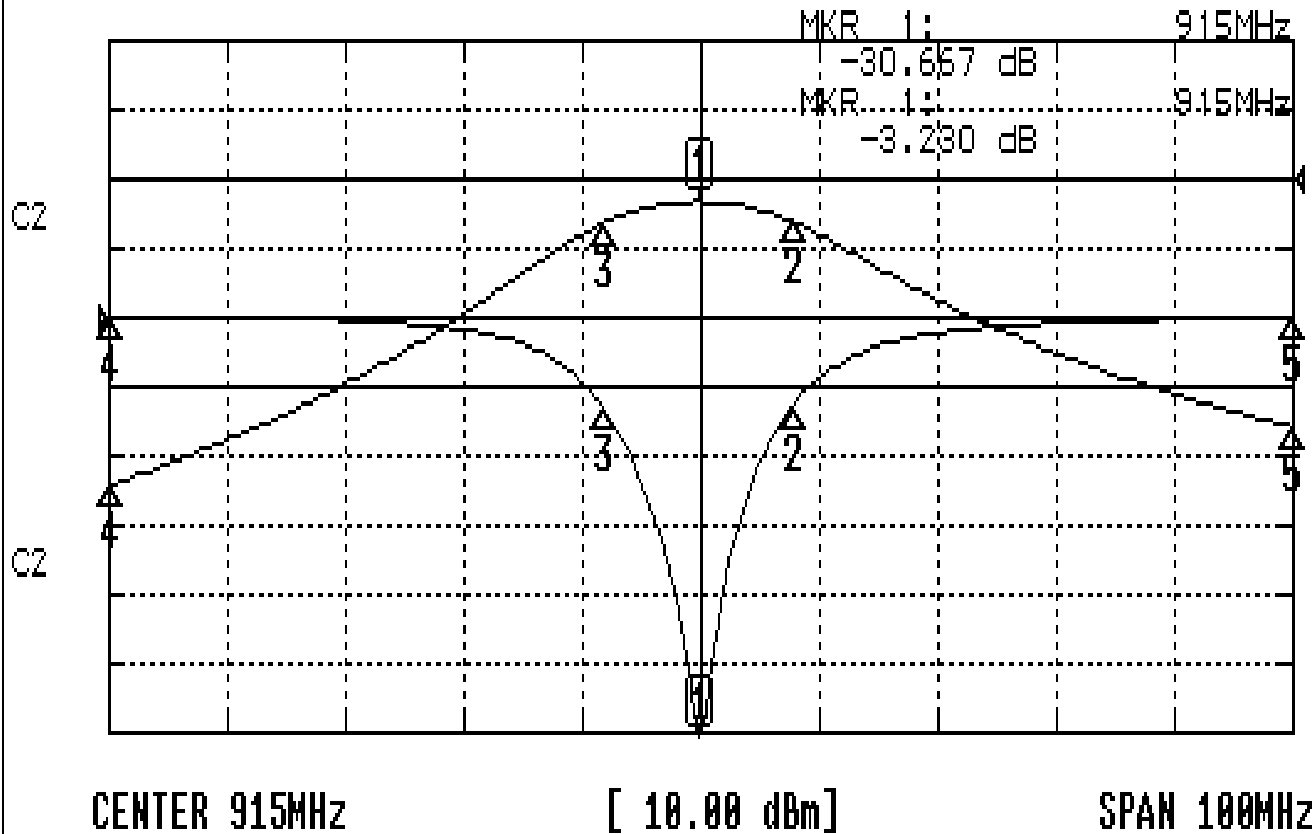
Approval C.Y.Chang	Supervisor C.S.Chang	Designer P.H.Chiang	Aperture size 7H3S(4*4.65)(4.68) 7H046LB4 聚 3
-----------------------	-------------------------	------------------------	---

TEMWELL CORPORATION

Performance-TT67248A-915M

200902004A

CH1 S11 LOG MAG REF 0.000 dB 5.000 dB/
CH2 S21 LOG MAG REF 0.000 dB 10.000 dB/



CH1 MARKER LIST

1	915.000MHz	-30.667	dB
2	922.916MHz	-16.223	dB
3	906.916MHz	-16.664	dB
4	900.000MHz	0.144	dB
5	960.000MHz	0.022	dB

CH2 MARKER LIST

1	915.000MHz	-3.230	dB
2	922.916MHz	-16.270	dB
3	906.916MHz	-16.237	dB
4	900.000MHz	-14.280	dB
5	960.000MHz	-35.789	dB