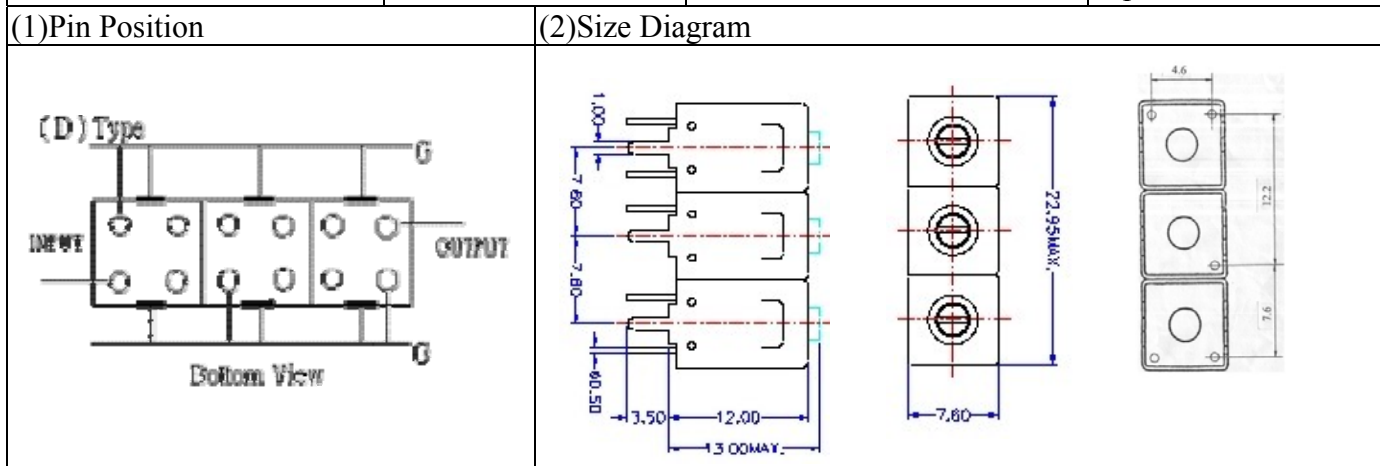


VHF UHF Helical Filter Specification Sheet

Customer Name		Temwell's Part No.	TT67242D-725M
Approval No. /dated	9804107	Acceptable Specify Fo Range	701~750 MHz
Work Instruction No.	9804107	Date	Sep.11.2006



(3) Electric Characteristic

Item	Specify	Performance	
Center Freq.(Fo) +/- 0.5 %	725 MHz	725 MHz	
Tunable Range	725±5 MHz	725±5 MHz	
Insertion Loss	Typ. 3.5 dB	2.57 dB	
-3 dB Bandwidth	Typ. 18 MHz	22.5 MHz	
Sensitivity (Attenuation)	Fo - 50 MHz	Typ. 48 dBc	49 dBc
	Fo + 50 MHz	Typ. 35 dBc	38 dBc
	Fo - ()MHz	Typ. dBc	dBc
	Fo +()MHz	Typ. dBc	dBc
Return Loss	Min. 12 dB	17.4 dB	
Ripple	< 1 dB	dB	
Impedance	In / Out : 50 Ω	In / Out : 50 Ω	

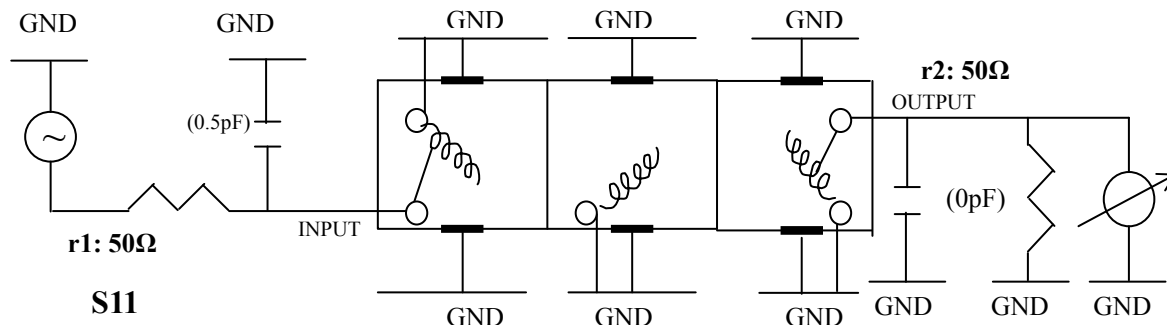
(4) Torque for Tuning Screw > 100gf · cm

(5) Temperature Condition:

Operating Temperature	0°C ~ +60°C
Storage Temperature	-20°C ~ +70°C

(6) Input Power > 1Watt

(7) Measuring Circuit: ※Easy to match Impedance S11/S22 50Ω, by parallel with about(0.5 pF) / (0 pF).
S22



(Bottom View)

Approval	Supervisor	Designer	Aperture size
C.Y.Chang	C.S.Chang	P.H.Chiang	7H3(4*4.65)(4.69) 7H046LB4 聚 3

TEMWELL CORPORATION

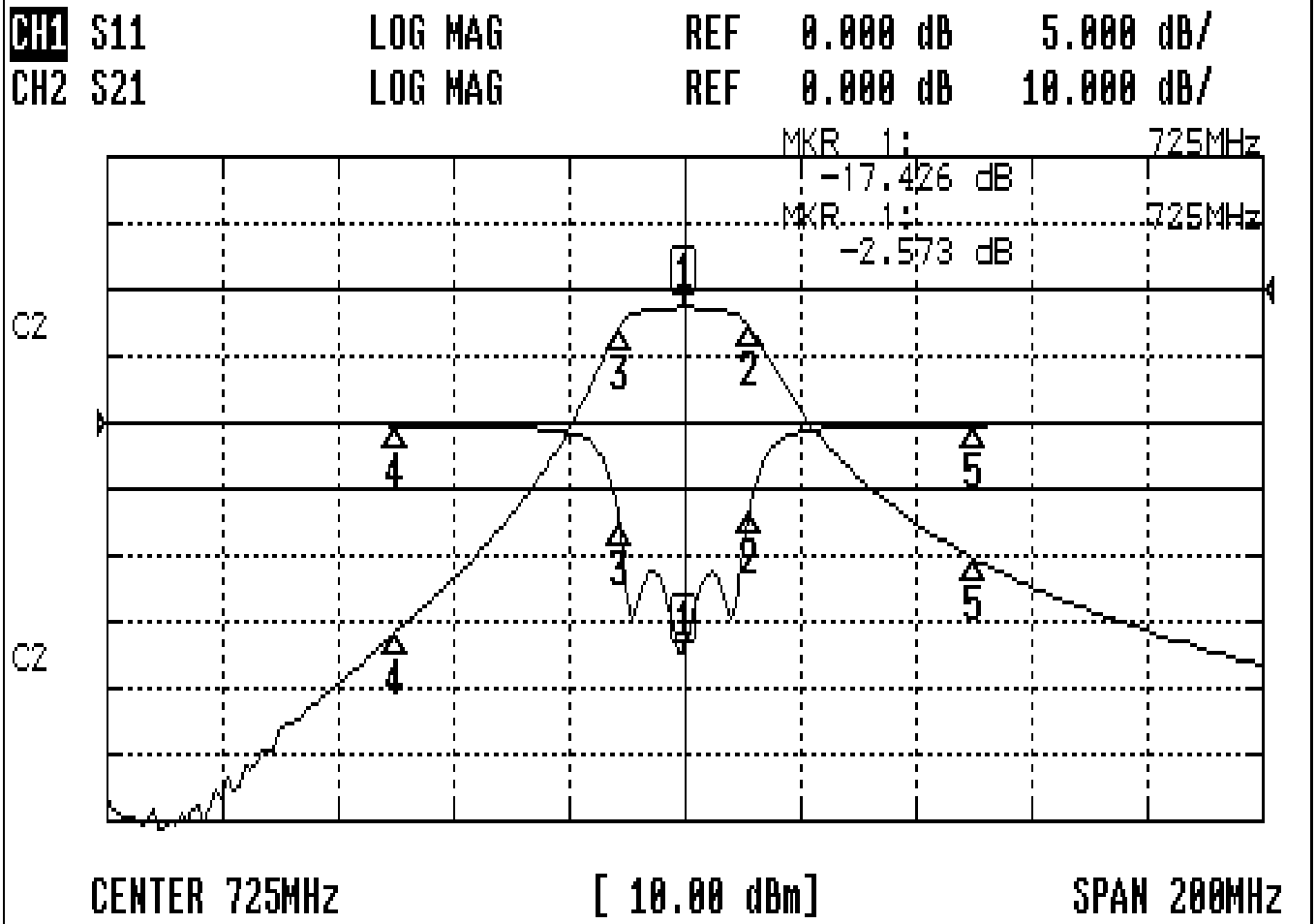
TEMWELL

Form10-7H3D Vision D

RP(p.h)

Performance-TT67242D-725M

9804107



CH1 MARKER LIST

1	725.000MHz	-17.426	dB
2	736.333MHz	-6.722	dB
3	713.833MHz	-7.860	dB
4	675.000MHz	-0.155	dB
5	775.000MHz	-0.150	dB

CH2 MARKER LIST

1	725.000MHz	-2.573	dB
2	736.333MHz	-5.480	dB
3	713.833MHz	-5.560	dB
4	675.000MHz	-51.698	dB
5	775.000MHz	-40.446	dB