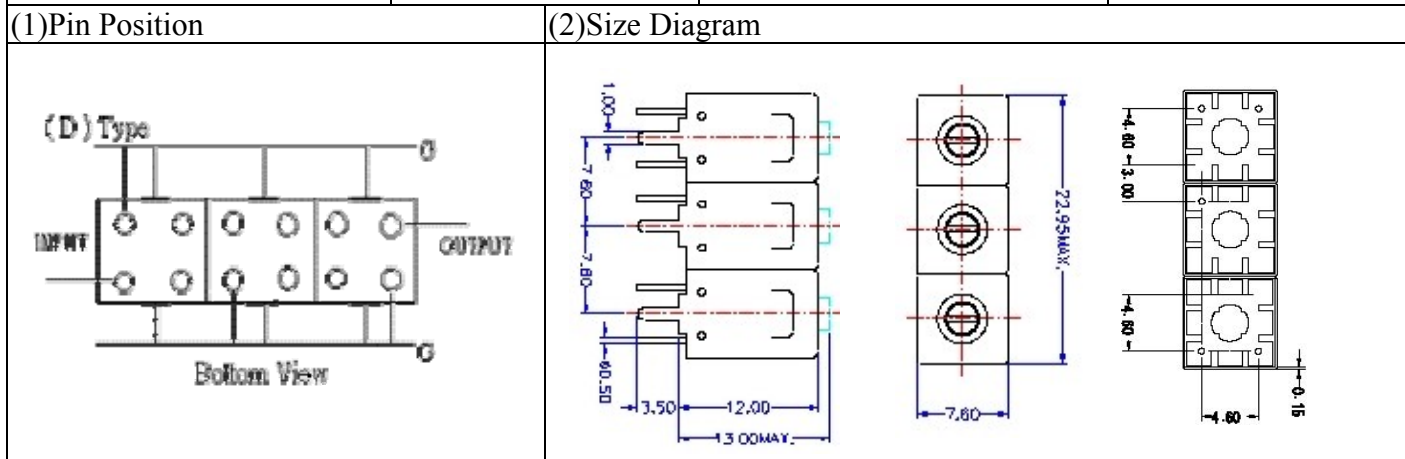


VHF UHF Helical Filter Specification Sheet

| | | | |
|----------------------|-------------|-----------------------|---------------|
| Customer Name | | Temwell's Part No. | TT6723D-612M |
| Approval No. /dated | 0901007CD | Customer's Part Name. | 6723D 612M |
| Work Instruction No. | 200901007CD | Date | Jan.09.2009 |



(3) Electric Characteristic

| Item | Specify | Performance | |
|------------------------------|-----------------|-----------------|--------|
| Center Freq.(Fo) +/- 0.5 % | 612 MHz | 612 MHz | |
| Tunable Range: | 612±5 MHz | 612±5 MHz | |
| Insertion Loss | Typ. 3.0 dB | 1.82 dB | |
| -3 dB Bandwidth | Typ. 20 MHz | 24.5 MHz | |
| Sensitivity (Attenuation) | Fo - 50 MHz | Typ. 41 dBc | 44 dBc |
| | Fo + 50 MHz | Typ. 27 dBc | 30 dBc |
| | Fo - ()MHz | Typ. dBc | dBc |
| | Fo + ()MHz | Typ. dBc | dBc |
| Return Loss | Min. 12 dB | 27.2 dB | |
| Ripple | < 1 dB | dB | |
| Impedance | In / Out : 50 Ω | In / Out : 50 Ω | |

(4) Torque for Tuning Screw

| | |
|-----------------------------|--------------|
| (4) Torque for Tuning Screw | > 100gf · cm |
|-----------------------------|--------------|

(5) Temperature Condition:

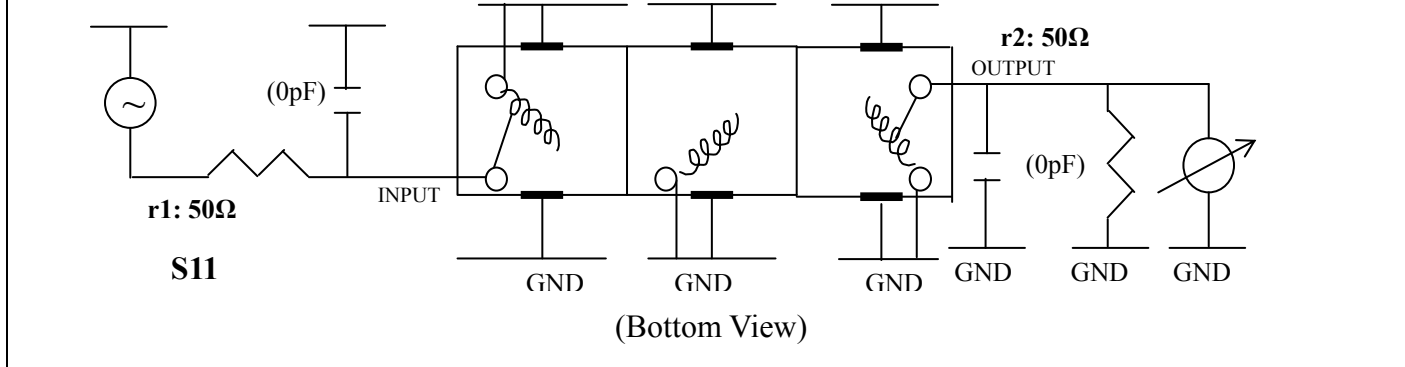
| | |
|-----------------------|-------------|
| Operating Temperature | 0°C ~ +60°C |
|-----------------------|-------------|

| | |
|---------------------|---------------|
| Storage Temperature | -20°C ~ +70°C |
|---------------------|---------------|

(6) Input Power

| | |
|-----------------|----------|
| (6) Input Power | > 1 Watt |
|-----------------|----------|

(7) Measuring Circuit: ※Easy to match Impedance S11/S22 50Ω by parallel with about(0pF) / (0pF).



| | | | |
|-----------|------------|-----------|-------------------------------------|
| Approval | Supervisor | Designer | Aperture size |
| C.Y.Chang | C.S.Chang | C.S.Chang | 7H3S(4*5.5)(5.56) 7H046LB4.3 聚 3 |

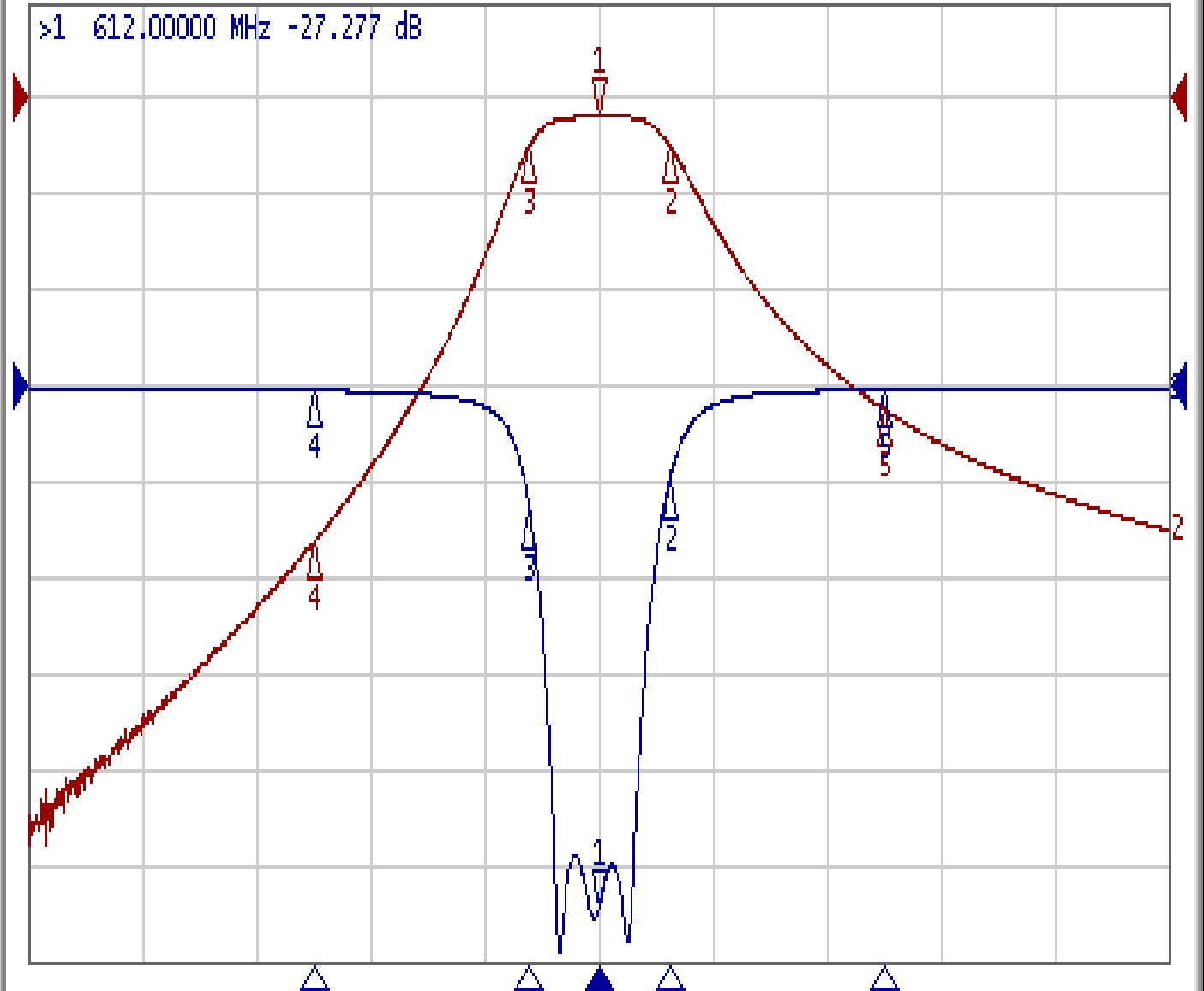
TEMWELL CORPORATION

Performance-TT6723D-612M

200901007CD

▶ Tr1 S11 Log Mag 5.000dB/ Ref 0.000dB [F3]
Tr2 S21 Log Mag 10.00dB/ Ref 0.000dB [F3]

>1 612.00000 MHz -27.277 dB



1 Center 612 MHz

IFBW 10 kHz

Span 200 MHz



| | | | | | | | |
|-----|-----|-----|----|-----------|-----|---------|----|
| Ch1 | Tr1 | S11 | >1 | 612.00000 | MHz | -27.277 | dB |
| Ch1 | Tr1 | S11 | 2 | 624.40500 | MHz | -4.9088 | dB |
| Ch1 | Tr1 | S11 | 3 | 599.95600 | MHz | -6.5024 | dB |
| Ch1 | Tr1 | S11 | 4 | 562.00000 | MHz | -0.2420 | dB |
| Ch1 | Tr1 | S11 | 5 | 662.00000 | MHz | -0.2260 | dB |
| Ch1 | Tr2 | S21 | 1 | 612.00000 | MHz | -1.8288 | dB |
| Ch1 | Tr2 | S21 | 2 | 624.40500 | MHz | -4.8626 | dB |
| Ch1 | Tr2 | S21 | 3 | 599.95600 | MHz | -4.8420 | dB |
| Ch1 | Tr2 | S21 | 4 | 562.00000 | MHz | -46.295 | dB |
| Ch1 | Tr2 | S21 | 5 | 662.00000 | MHz | -32.384 | dB |