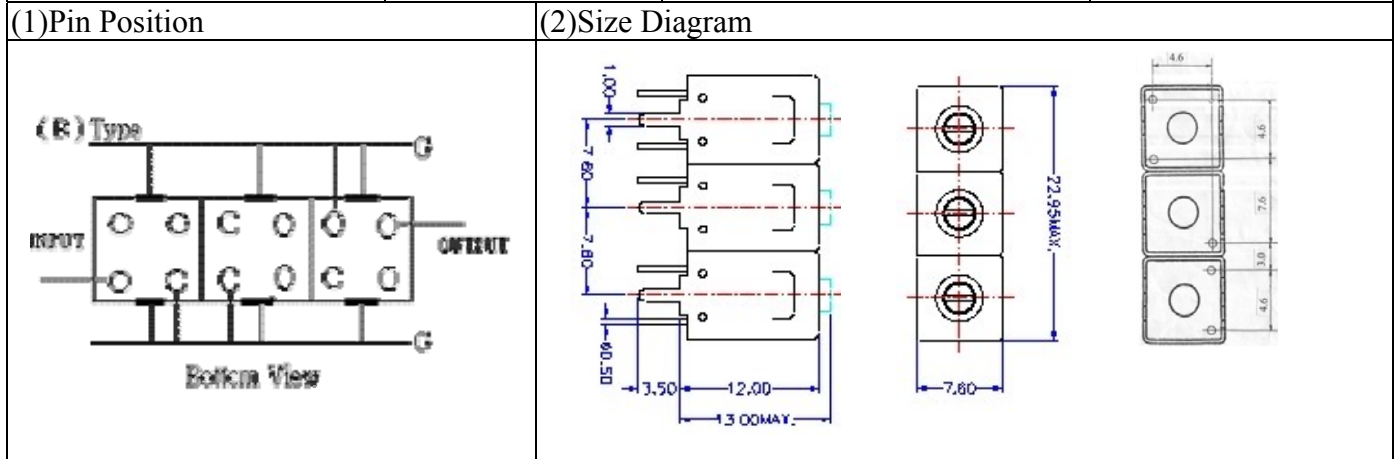


VHF UHF Helical Filter Specification Sheet

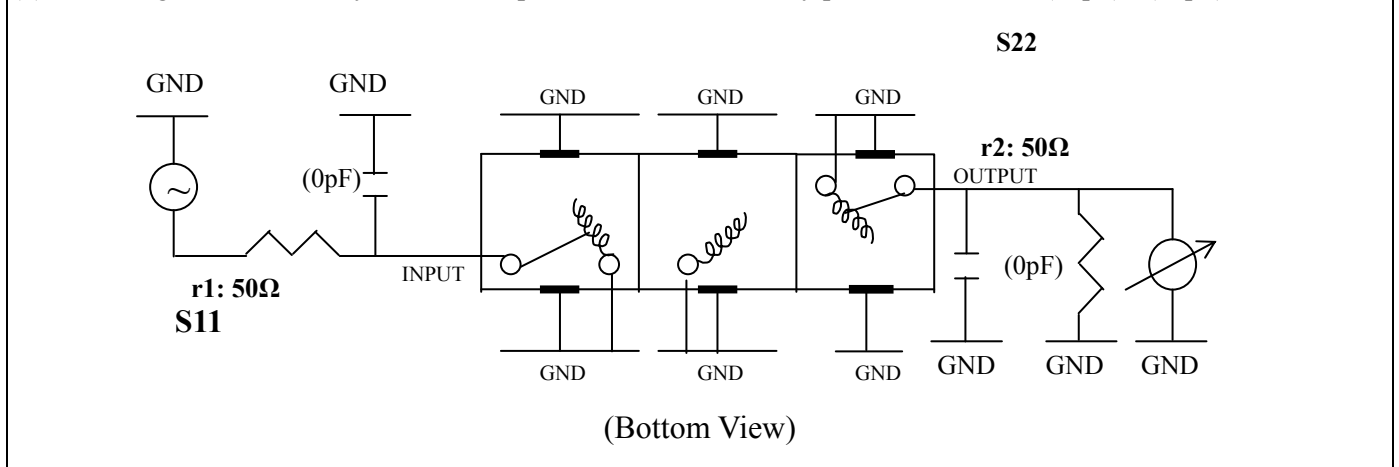
Customer Name		Temwell's Part No.	TT67230B-743M
Approval No. /dated	20505053B	Acceptable Specify Fo. Range	701~750MHz
Work Instruction No.	20505053B	Date	Jun.03.2005



(3) Electric Characteristic

Item	Specify	Performance
Center Freq.(Fo) +/- 0.5 %	743 MHz	743 MHz
Tunable Range:	743±10 MHz	743±10 MHz
Insertion Loss	Typ. 2.5 dB	1.70 dB
-3 dB Bandwidth	Typ. 42 MHz	49.2 MHz
Sensitivity (Attenuation)	Fo - 50 MHz	Typ. 15 dBc
	Fo + 50 MHz	Typ. 11 dBc
	Fo - ()MHz	Typ. dBc
	Fo +()MHz	Typ. dBc
Return Loss	Min. 12 dB	30 dB
Ripple	< 1 dB	dB
Impedance	In / Out : 50 Ω	In / Out : 50 Ω
(4) Torque for Tuning Screw	> 60gf · cm	
(5) Temperature Condition:		
Operating Temperature	-30°C ~ +70°C	
Storage Temperature	-30°C ~ +80°C	
(6) Input Power	> 1Watt	

(7) Measuring Circuit: ※Easy to match Impedance S11/S22 50Ω/by parallel with about(0 pF) / (0 pF).



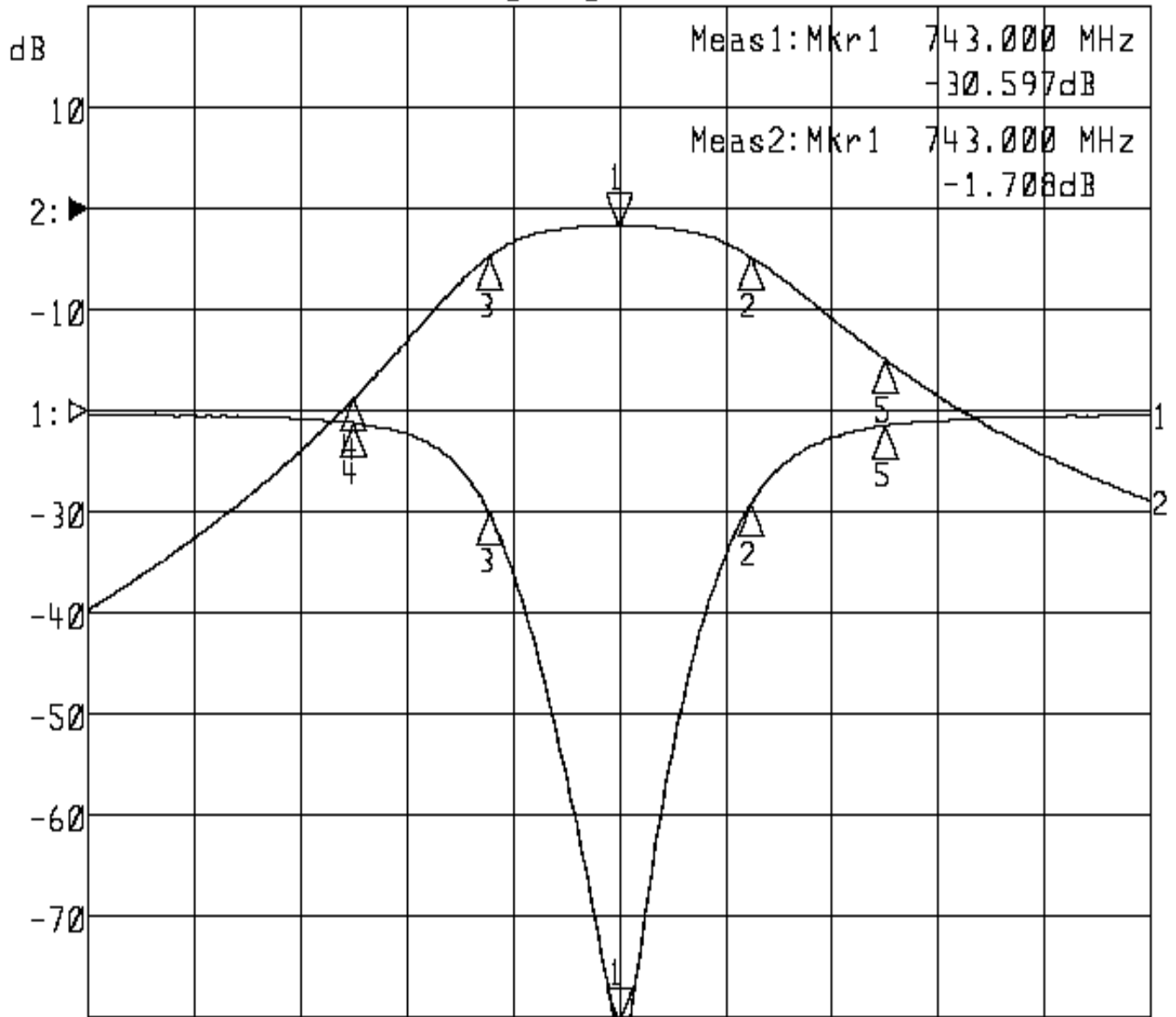
Approval C.Y.Chang	Supervisor C.S.Chang	Designer W.W.Wang	Aperture size 7H3S(4*4.65)
-----------------------	-------------------------	----------------------	-------------------------------

TEMWELL CORPORATION

Performance-TT67230B-743M

20505053B

►1:S11 Refl Port1 Log Mag 5.0 dB/ Ref 0.00 dB C
►2:S21 Fwd Trans Log Mag 10.0 dB/ Ref 0.00 dB C



Center 743.000 MHz

Span 200.000 MHz

1:Mkr (MHz)	dB	2:Mkr (MHz)	dB
1> 743.0000	-30.597	1> 743.0000	-1.708
2: 767.7333	-4.644	2: 767.7333	-4.725
3: 718.4667	-4.991	3: 718.4667	-4.753
4: 693.0000	-0.588	4: 693.0000	-18.816
5: 793.0000	-0.773	5: 793.0000	-14.910