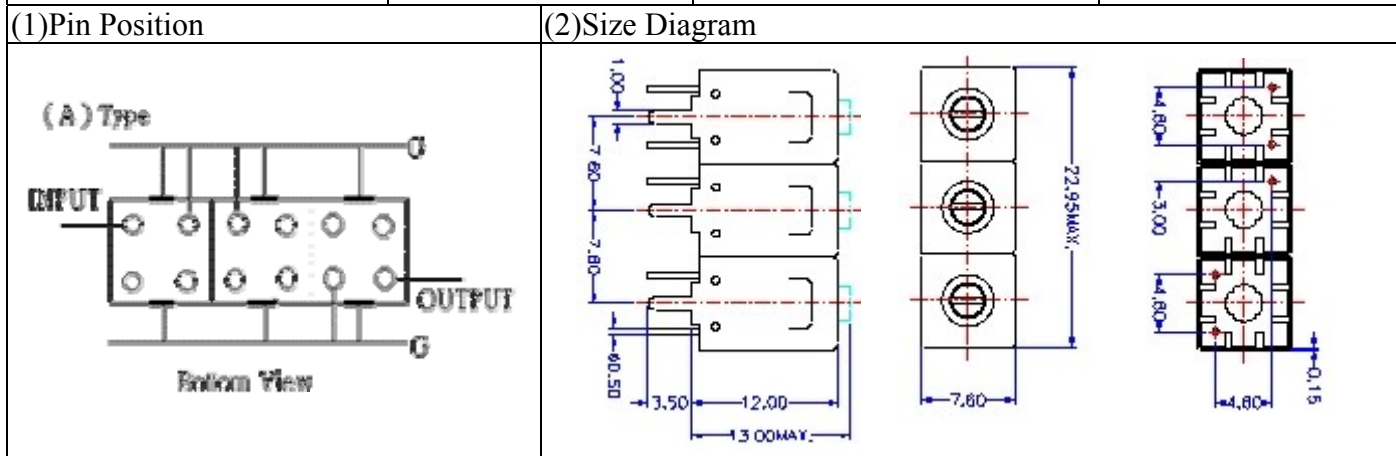


VHF UHF Helical Filter Specification Sheet

Customer Name		Temwell's Part No.	TT67215A-858.5M
Approval No. /dated	20210015B	Acceptable Specify Fo Range	831~860M
Work Instruction No.	20210015B	Date	Jul.18.2006



(3) Electric Character

Item	Specify	Performance	
Center Freq.(Fo) +/- 0.5 %	858.5 MHz	858.5 MHz	
Tunable Range:	858.5±10 MHz	858.5±10 MHz	
Insertion Loss	Typ. 3.5 dB	2.17 dB	
-1 dB Bandwidth	Typ. 17 MHz	21.5 MHz	
-3 dB Bandwidth	Typ. 25 MHz	30 MHz	
Sensitivity (Attenuation)	Fo - 50 MHz	Typ. 37 dBc	40 dBc
	Fo + 50 MHz	Typ. 27 dBc	30 dBc
	Fo - ()MHz	Typ. dBc	dBc
	Fo +()MHz	Typ. dBc	dBc
Return Loss	Min. 12 dB	20.9 dB	
Ripple	< 1 dB	dB	
Impedance	In / Out : 50 Ω	In / Out : 50 Ω	

(4) Torque for Tuning Screw > 100gf · cm

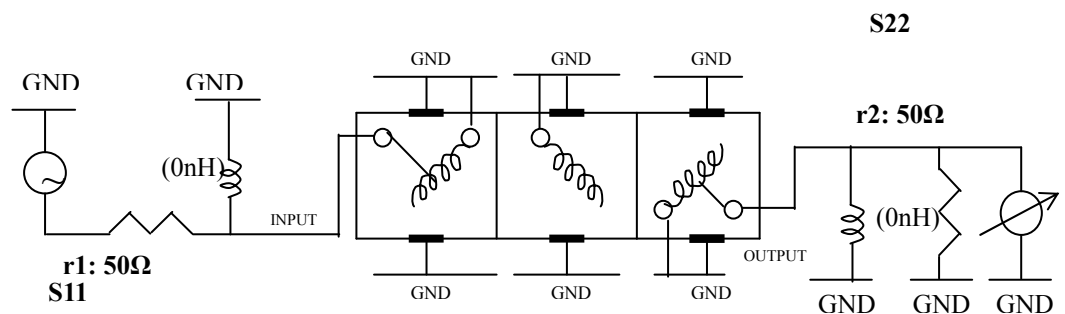
(5) Temperature Condition:

Operating Temperature 0°C ~ +60°C

Storage Temperature -20°C ~ +70°C

(6) Input Power > 1 Watt

(7) Measuring Circuit: ※Easy to match Impedance S11/S22 50Ω/by parallel with about(0 nH) / (0 nH).



(Bottom View)

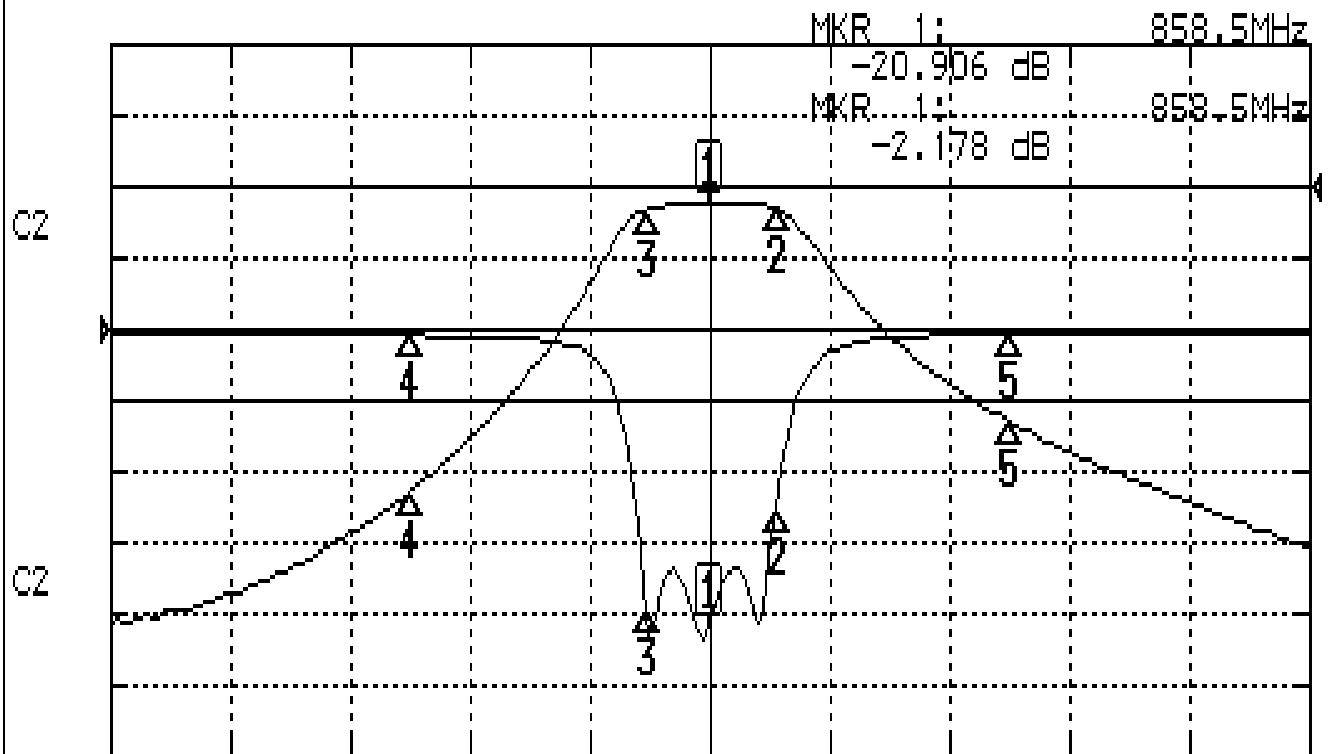
Approval	Supervisor	Designer	Aperture size
C.Y.Chang	C.S.Chang	W.W.Wang	7H3(4*5.5)F 7H046LB4 聚 3

TEMWELL CORPORATION

Performance-TT67215A-858.5M

20210015B

CH1 S11 LOG MAG REF 0.000 dB 5.000 dB/
CH2 S21 LOG MAG REF 0.000 dB 10.000 dB/



CENTER 858.5MHz

[10.00 dBm]

SPAN 200MHz

CH1 MARKER LIST

1	858.500MHz	-20.906	dB
2	869.500MHz	-12.526	dB
3	848.000MHz	-19.788	dB
4	808.500MHz	-0.420	dB
5	908.500MHz	-0.353	dB

CH2 MARKER LIST

1	858.500MHz	-2.178	dB
2	869.500MHz	-13.103	dB
3	848.000MHz	-13.126	dB
4	808.500MHz	-42.659	dB
5	908.500MHz	-32.968	dB