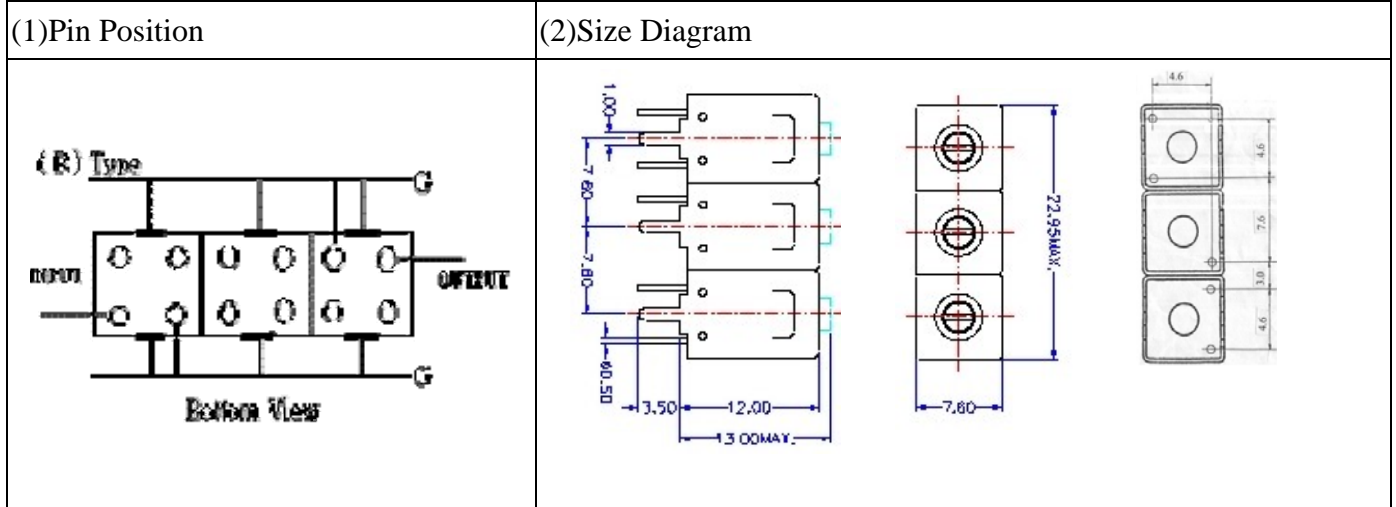


VHF UHF Helical Filter Specification Sheet

Customer Name		Temwell's Part No.	TT67210B-340M
Approval No. /dated	2008015B	Acceptable Specify Fo. Range	311~355MHz
Work Instruction No.	2008015B	Date	Aug.03.2000



(3) Electric Character

Item	Specify	Performance	
Center Freq.(Fo) +/- 0.75 %	340 MHz	340 MHz	
Tunable Range	340±4 MHz	340±4 MHz	
Insertion Loss	Typ. 3.5 dB	2.3 dB	
-3 dB Bandwidth	Typ. 16 MHz	19 MHz	
Sensitivity (Attenuation)	Fo - 50 MHz	Typ. 53 dBc	56 dBc
	Fo + 50 MHz	Typ. 38 dBc	41 dBc
	Fo - ()MHz	Typ. dBc	dBc
	Fo +()MHz	Typ. dBc	dBc
Return Loss	Min. 12 dB	22 dB	
Ripple	< 1 dB	dB	
Impedance	In / Out : 50 Ω	In / Out : 50 Ω	
(4) Torque for Tuning Screw	> 100gf · cm		

(5) Temperature Condition:

Operating Temperature	-30°C ~ +70°C
Storage Temperature	-30°C ~ +80°C

(6) Input Power

	> 1Watt
--	---------

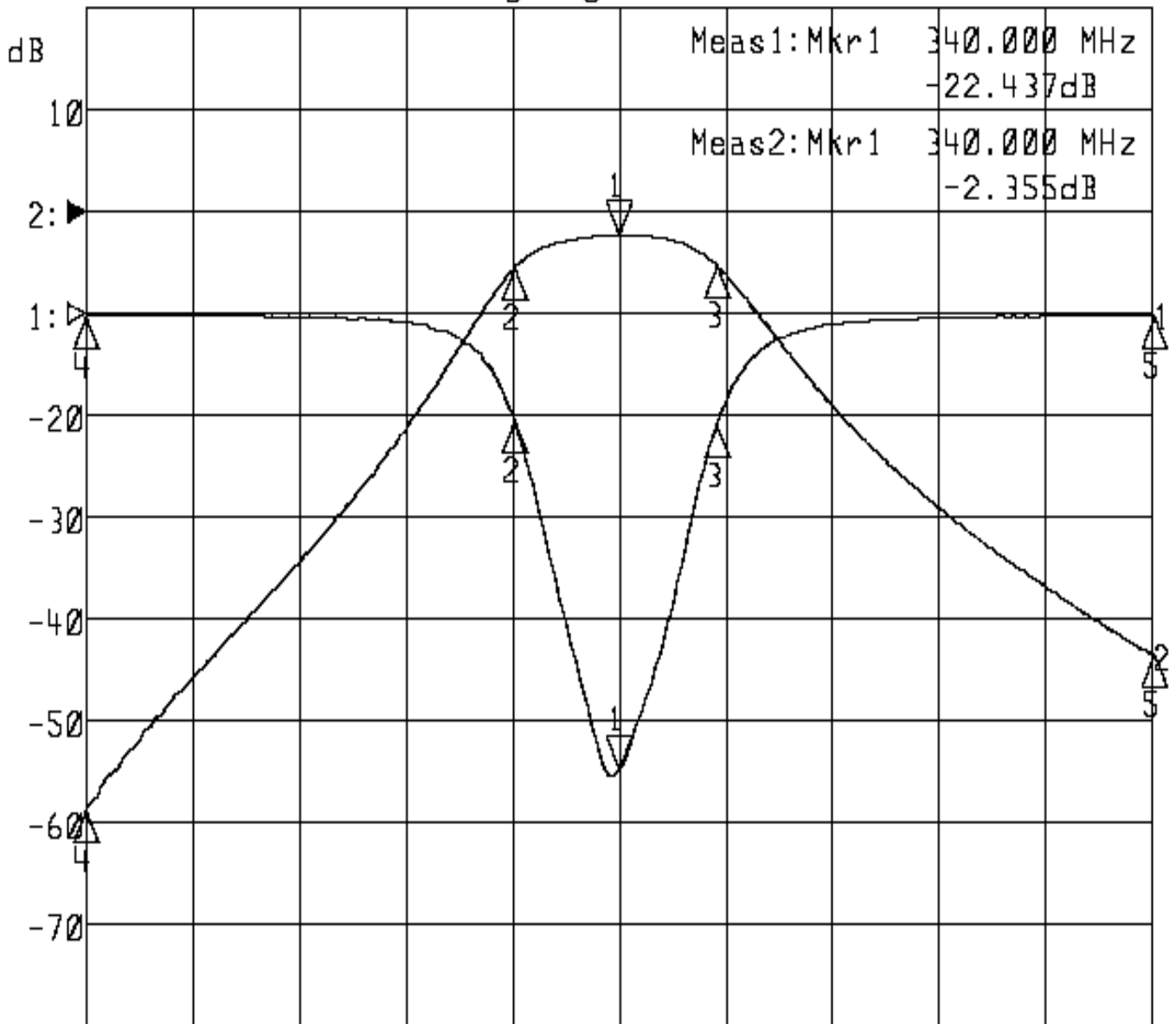
Approval	Supervisor	Designer	Aperture size
C.Y.Chang	C.S.Chang	C.S.Chang	7H3S(4*6.5) 7H046LB4 聚 3

TEMWELL CORPORATION

Performance-TT67210B-340M

2008015B

►1:S11 Refl Port1 Log Mag 5.0 dB/ Ref 0.00 dB C
►2:S21 Fwd Trans Log Mag 10.0 dB/ Ref 0.00 dB C



Center 340.000 MHz

Span 100.000 MHz

1: Mkr (MHz)	dB	2: Mkr (MHz)	dB
1> 340.0000	-22.437	1> 340.0000	-2.355
2: 330.2333	-5.295	2: 330.2333	-5.484
3: 349.1333	-5.509	3: 349.1333	-5.228
4: 290.0000	-0.071	4: 290.0000	-58.669
5: 390.0000	-0.070	5: 390.0000	-43.568