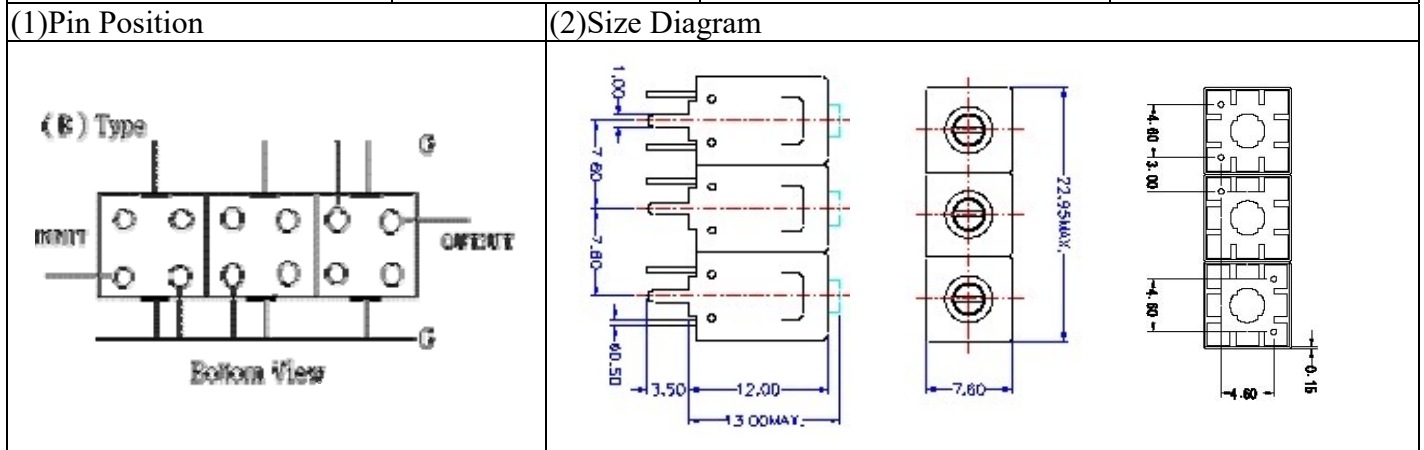


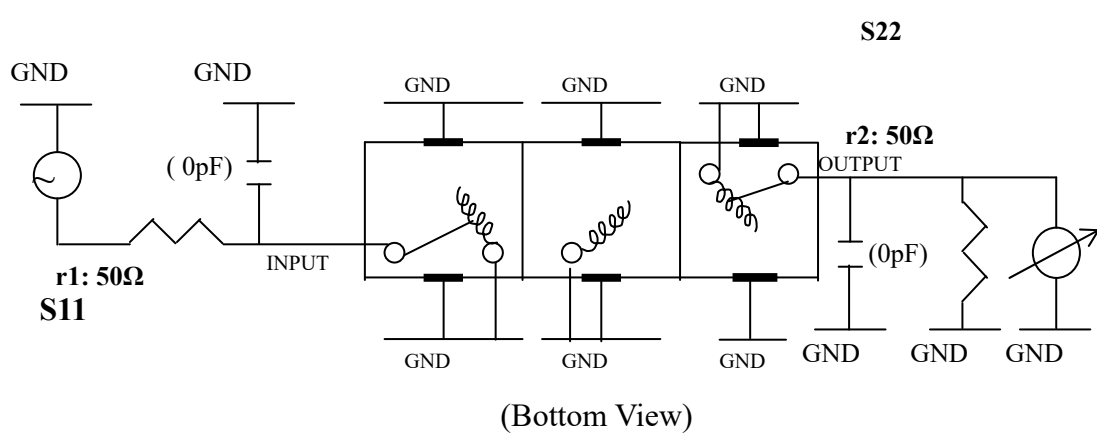
# VHF UHF Helical Filter Specification Sheet

Customer Name		Temwell's Part No.	TT67205B1-134M
Approval No. /dated	0806084CD	Customer's Print Name.	67205B1 134M
Work Instruction No.	0806084CD	Date	Jul.07.2008



(3) Electric Characteristic			
Item		Specify	Performance
Center Freq.(Fo) +/- 0.5 %		134 MHz	134 MHz
Tunable Range:		134±5 MHz	134±5 MHz
Insertion Loss		Typ. 3.5 dB	2.07 dB
-3 dB Bandwidth		Typ. 8 MHz	9.7 MHz
Sensitivity (Attenuation)	Fo - (20) MHz	Typ. 34 dBc	37 dBc
	Fo + (20) MHz	Typ. 32 dBc	35 dBc
	Fo - ( ) MHz	Typ. dBc	dBc
	Fo + ( ) MHz	Typ. dBc	dBc
Return Loss		Min. 12 dB	24.4 dB
Ripple		< 1 dB	dB
Impedance		In / Out : 50 Ω	In / Out : 50 Ω
(4) Torque for Tuning Screw		> 100gf • cm	
(5) Temperature Condition:			
Operating Temperature		0°C ~ +60°C	
Storage Temperature		-20°C ~ +70°C	
(6) Input Power		> 1 Watt	

(7) Measuring Circuit: ※Easy to match Impedance S11/S22 50Ω by parallel with about(0pF) / (0pF).



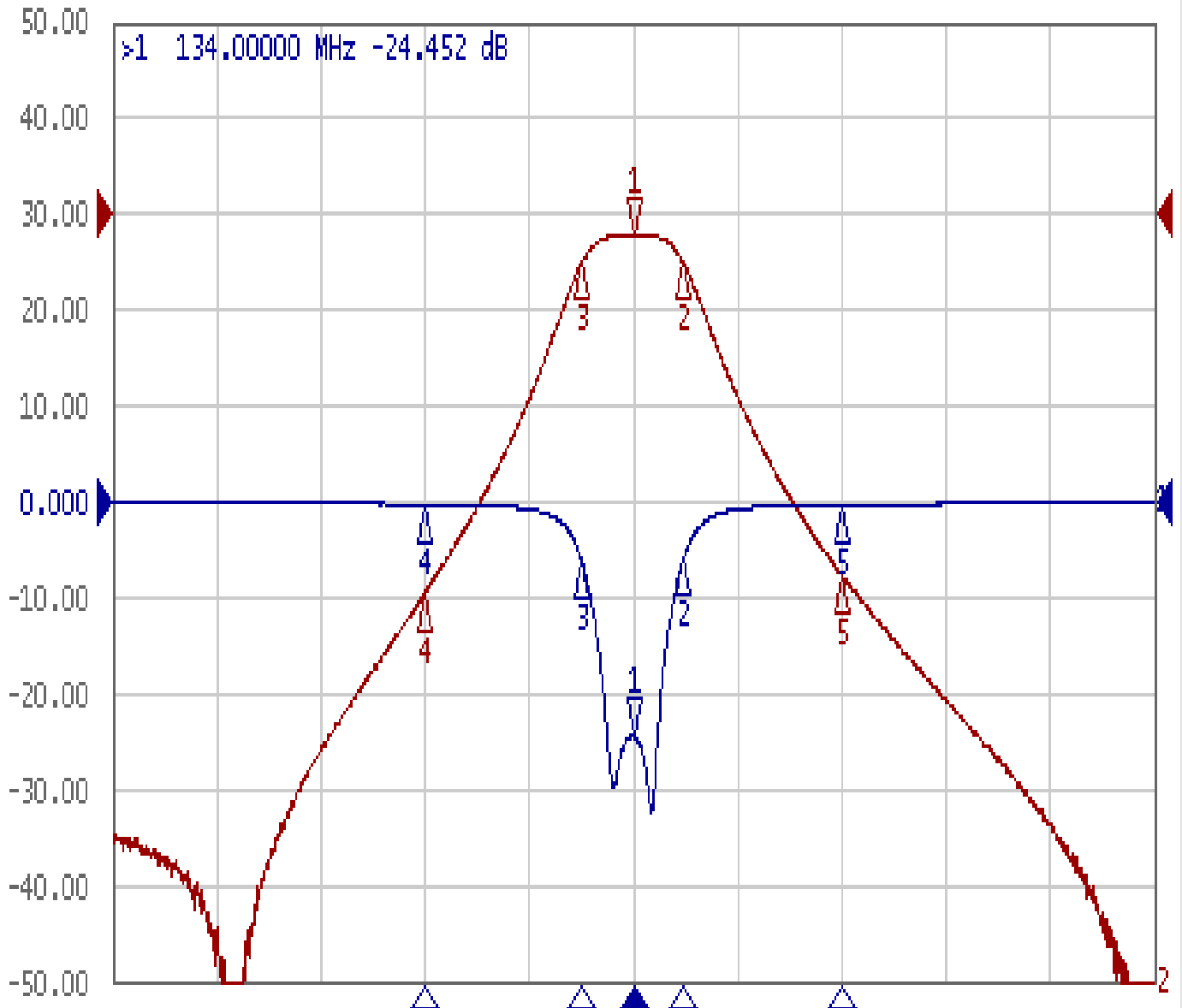
Approval	Supervisor	Designer	Aperture size
C.Y.Chang	C.S.Chang	C.S.Chang	7H3(4*4.65F) (7H024RB6.5)

TEMWELL CORPORATION

# Performance-TT67205B1-134M

## 0806084CD

Tr1 S11 Log Mag 10.00dB/ Ref 0.000dB [F3]  
Tr2 S21 Log Mag 10.00dB/ Ref 0.000dB [F3]



1 Center 134 MHz

IFBW 10 kHz

Span 100 MHz

Ch1	Tr1	S11	>1	134.00000	MHz	-24.452	dB
Ch1	Tr1	S11	2	138.77900	MHz	-5.8983	dB
Ch1	Tr1	S11	3	129.02813	MHz	-6.1566	dB
Ch1	Tr1	S11	4	114.00000	MHz	-0.2295	dB
Ch1	Tr1	S11	5	154.00000	MHz	-0.2577	dB
Ch1	Tr2	S21	1	134.00000	MHz	-2.0713	dB
Ch1	Tr2	S21	2	138.77900	MHz	-5.0710	dB
Ch1	Tr2	S21	3	129.02813	MHz	-5.0283	dB
Ch1	Tr2	S21	4	114.00000	MHz	-39.460	dB
Ch1	Tr2	S21	5	154.00000	MHz	-37.659	dB